

**Series 4, free-standing fridge-freezer
with freezer at bottom, 203 x 60 cm,
Black stainless steel
KGN39VXCT**



**The No Frost bottom freezer with VitaFresh:
Keeps your fresh foods fresh longer.**

- **VitaFresh XXL <0°C>**: keeps food fresh for longer in extra-large climate-controlled fridge drawers.
- **No Frost**: you'll never have to defrost your fridge-freezer again.
- **Glossy Backwall with Multi Airflow**: evenly circulates cool, fresh air to maintain consistent temperatures.
- **Perfect Fit**: place your fridge right next to walls or in a niche.
- **LED lighting**: Explore the bright side of fridge illumination with LEDs.

Technical Data



Included accessories

- 3 x egg tray
- 1 x ice cube tray

Series 4, free-standing fridge-freezer with freezer at bottom, 203 x 60 cm, Black stainless steel KGN39VXCT

The No Frost bottom freezer with VitaFresh: Keeps your fresh foods fresh longer.

Performance and consumption

- Energy Class: C
- Total Volume: 363 l
- Net Fridge Volume : 260 l
- Net Freezer Volume : 103 l
- Freezing capacity 24h: 10 kg
- Annual Energy Consumption: 162 kWh/a
- Climate Class: SN-T
- Fast Freeze Facility
- Noise Level : 35 dB , B Class
- Temperature rise time : 15 H
- Total NoFrost - never defrost again, Bottom freezer
- black inox-antifingerprint Doors

Design and Styling

- Doors black inox-antifingerprint, side panels cast iron
- vertical handle
- LED with Soft Start in fridge section

Convenience & Safety

- Total NoFrost - never defrost again
- Connectivity: No
- Separate, electronic temperature control, LED indicators
- Two Cooling Systems
- Super Cooling: automatic deactivation
- Super Freezing: Manual/automatic activation
- Optical and acoustic door open warning system
- Visual and acoustic warning system in case of malfunction of the freezer compartment

Fridge Compartment

- Multi Airflow-System
- 5 PC safety glass shelves of which 3 are height adjustable
- Bottle storage: Bottle grid
- 1 door bin(s) high, 3 door bin(s) small

Freshness System

- 1 VitaFresh ◀0°C▶ drawer - Fish and meat stay fresh for longer
- 1 VitaFresh drawer with humidity control - Fruits and vegetables retain vitamins and stay fresh for longer.

Freezer

- 3 transparent freezer drawers

Dimensions

- Appliance Dimensions (H x W x D): 203 cm x 60 cm x 66.5 cm

Technical Information

- Door right hinged, reversible
- Height adjustable front feet
- Nominal voltage: 220 - 240 V

Accessories

- egg tray
ice cube tray
- egg tray
ice cube tray

Country Specific Options

- Based on the results of the standard 24-hour test. Actual consumption depends on usage/position of the appliance.

Environment and Safety

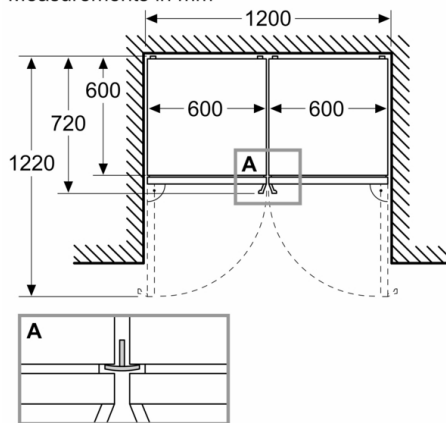
Installation

General Information

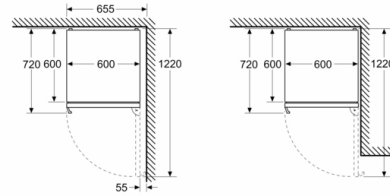
- White glossy backwall with Multi-Airflow
- Freezer Capacity: 103 l
- Freezing capacity: 10/24 h
- Storage time in power failure: 15 H h

**Series 4, free-standing fridge-freezer with
freezer at bottom, 203 x 60 cm, Black
stainless steel
KGN39VXCT**

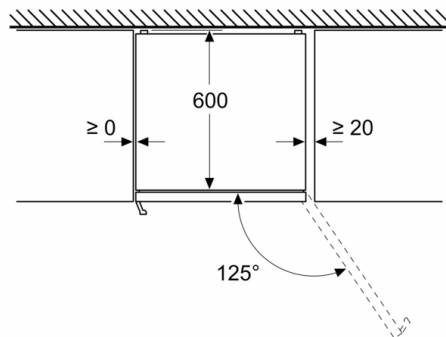
Measurements in mm



Measurements in mm



Measurements in mm



Measurements in mm

