

Created by **Bellucci, Daniele**

Denomination

DIM. DRAW. B4 FABER FLEX MID 83 ASP/FILTR

Lang **EN**   Sheet **1/2**

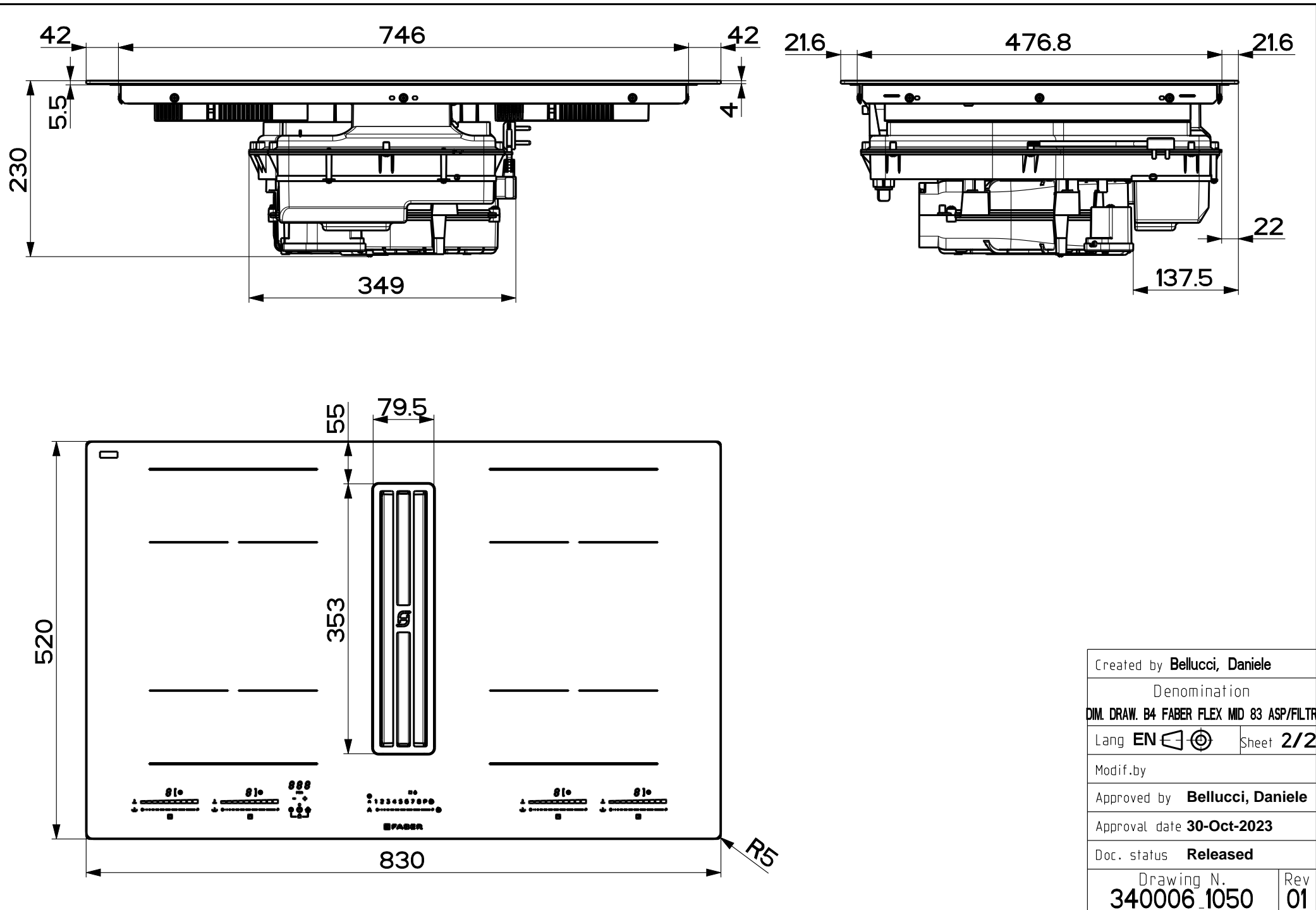
Modif.by

Approved by **Bellucci, Daniele**

Approval date **30-Oct-2023**

Doc. status **Released**

Drawing N.
340006_1050 Rev
01



Created by Bellucci, Daniele	
Denomination	
DIM. DRAW. B4 FABER FLEX MID 83 ASP/FILTR	
Lang EN	Sheet 2/2
Modif.by	
Approved by Bellucci, Daniele	
Approval date 30-Oct-2023	
Doc. status Released	
Drawing N. 340006_1050	Rev 01