
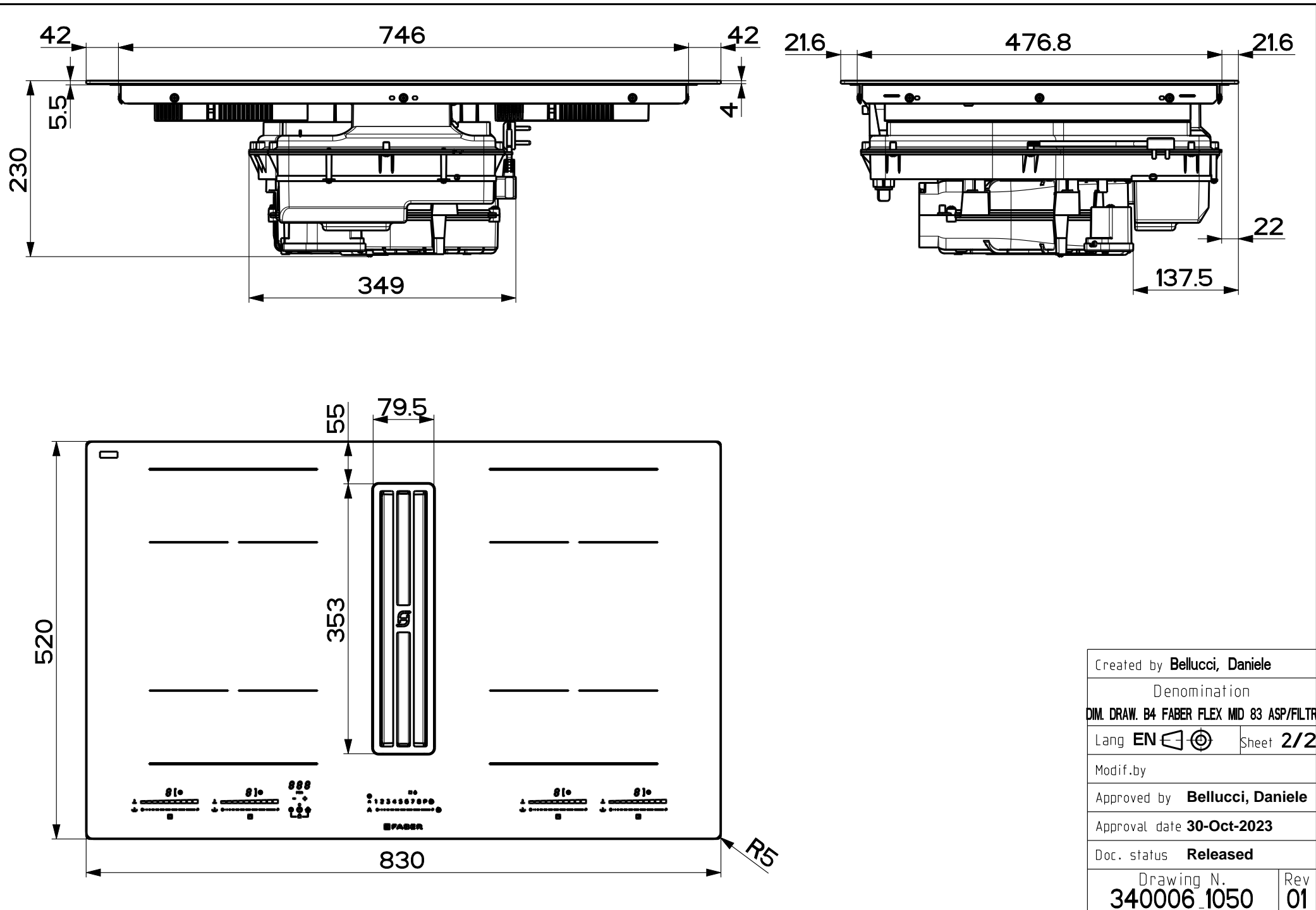



Created by Bellucci, Daniele	
Denomination	
DIM. DRAW. B4 FABER FLEX MID 83 ASP/FILTR	
Lang EN 	Sheet 1/2
Modif.by	
Approved by Bellucci, Daniele	
Approval date 30-Oct-2023	
Doc. status Released	
Drawing N. 340006_1050	Rev 01



Created by Bellucci, Daniele	
Denomination	
DIM. DRAW. B4 FABER FLEX MID 83 ASP/FILTR	
Lang EN 	Sheet 2/2
Modif.by	
Approved by Bellucci, Daniele	
Approval date 30-Oct-2023	
Doc. status Released	
Drawing N. 340006_1050	Rev 01