

Series 4, built-in fridge, 177.5 x 56 cm, flat hinge KIR81VFE0



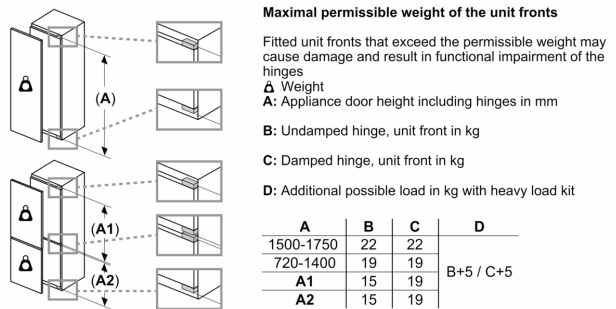
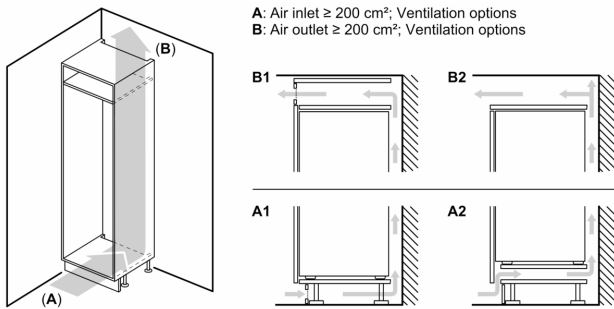
KSZGGM00 Butter box

- **LED lighting:** keep your groceries in perfect view.
- **Super Cooling function:** cools new food placed inside faster, thus protecting already cooled food.

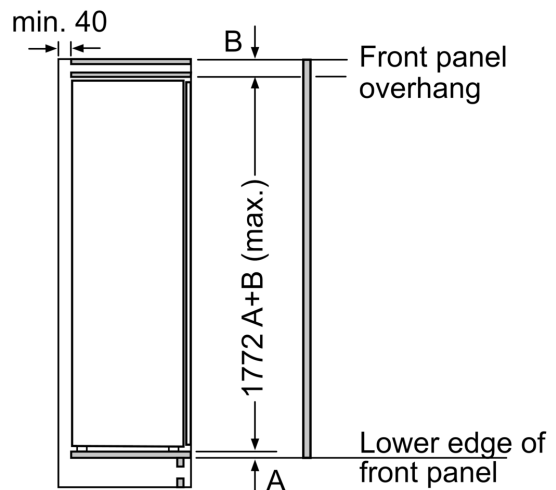
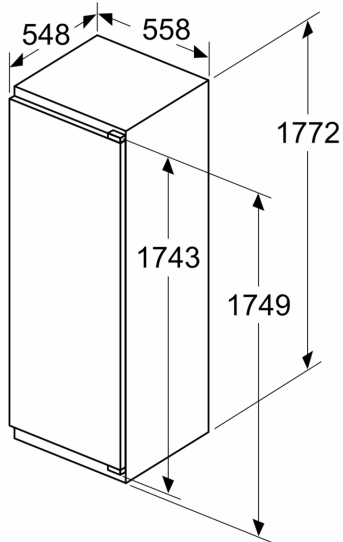
Gross weight:	127.000 lbs
Energy Efficiency Class (Regulation (EU) 2017/1369):	E
Average annual energy consumption in kilowatt hour per year (kWh/a):	114 kWh/annum
Sum of volume of frozen compartments:	0 l
Sum of volume of chill compartments:	310 l
Airborne acoustical noise emissions :	35 dB(A) re 1 pW
Airborne acoustical noise emission class:	B
Built-in / Free-standing:	Built-in
Number of compressors:	1
Number of independent cooling systems:	1
Width of the appliance:	541 mm
Height:	1772 mm
Depth of the product:	548 mm
Net weight:	52.6 kg
Min. required niche size for installation (HxWxD):	1775.0 x 560 x 550 mm
Door panel options:	Not possible
Door hinge:	Right reversible
Number of Adjustable Shelves in fridge compartment:	5
Shelves for Bottles:	Yes
Frost free system:	No
Interior ventilator:	Yes
Reversible Door Hinge:	Yes
Length electrical supply cord:	230.0 cm
Multi-Flow Air Tower:	No
Economy setting:	No
Cold technology:	1 compressor/1 cold circuit
Fast cooling switch:	Yes
Temperature Controlled Drawer:	No
Humidity Control Drawer:	No
Number of Door Bins - Refrigerator:	5
Door bin adjustability - Refrigerator:	No
Tilt-out door bins in fridge:	Yes
Gallon wide door bins:	Yes
Number of Gallon storage:	2
Motorized Shelf:	No
Material of the shelves:	Glas
Door opened indicator freezer:	No
Fuse protection:	10 A
Voltage:	220-240 V
Frequency:	50 Hz
Door panel options:	Not possible
Installation typology:	Integrated
Energy Star Qualified:	No
Plug type:	Gardy plug w/ earthing
Required cutout/niche size for installation (in):	X
Dimensions of the packed product:	72.44 x 24.01 x 25.19
Net weight:	116.000 lbs



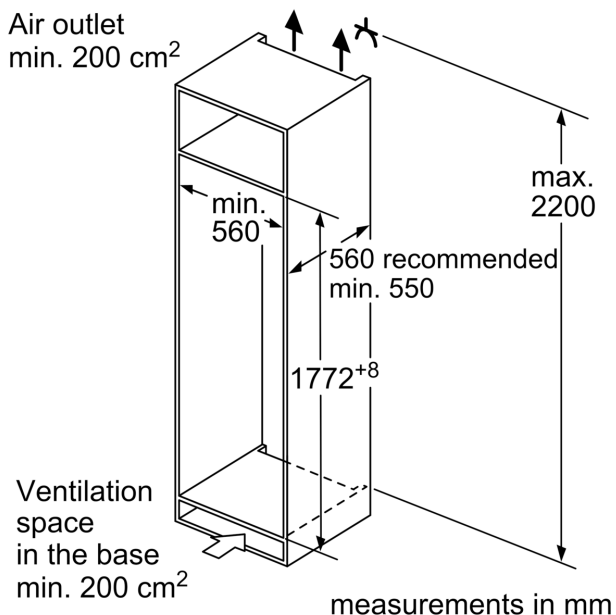
**Series 4, built-in fridge, 177.5 x 56 cm, flat hinge
KIR81VFE0**



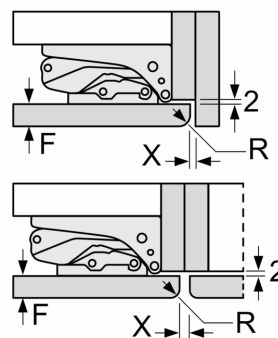
Measurements in mm



measurements in mm



**measurements in mm
Recommended gap dimensions for flat hinges**



F	R	X
16-19	0-3	2.5
20	0-1	3
	2-3	2.5
21	0-1	3
	2-3	2.5
22	0	4
	1	3.5
	2-3	3

The gap dimensions recommended in the table must be adhered to in order to ensure that appliance doors do not collide with anything when they are opened, and to avoid causing damage to kitchen units.