

**Series 4, Built-in oven, 60 x 60 cm,
Black
HBA234BB3**



Included accessories

1 x combination grid
1 x universal pan

Optional accessories

HEZ327000 Pizza stone, HEZ32WA00 Wireless food thermometer, HEZ530000 Half tray, HEZ531010 Baking tray, non-stick ceramic coated, HEZ532010 Universal pan, non-stick ceramic coated, HEZ538000 1fold telescopic rail, level independent, HEZ617000 Pizza pan, enamelled, HEZ629070 Air Fry
&and; Grill tray, HEZ631070 Baking tray, enamelled, HEZ632070 Multipurpose pan, enamelled, HEZ633001 Lid for professional pan, enamelled, HEZ633070 Professional pan, enamelled, HEZ633073 Professional pan, enamelled, HEZ634000 Baking and roasting grid, HEZ636000 Glass pan, HEZ638000 Full ext rails, level independent, HEZ660060 Strip, HEZ915003 Glass roasting dish, 5,4 L, HEZG0AS00 Connecting cable 3m

Perfect results: 3D hotair for perfect baking and roasting results on up to three levels simultaneously.

- **LED-display control, red:** easy-to-use thanks to the time functions.
- **3D Hotair:** even heat distribution for perfect results on up to three levels.
- **Pop-out controls:** Make the front of the oven easy to clean and give it a sleek look.
- **Eco Clean Direct:** less cleaning effort thanks to a special coating of the rear wall that automatically absorbs grime.
- **Cleaning Assistance:** less cleaning effort thanks to the new cleaning option, which can be especially used for cleaning of light soiling.

Technical Data

Gross weight : 37.0 kg
 Built-in / Free-standing : Built-in
 Integrated Cleaning system : CGV_R65_BO, Hydrolytic
 Min. required niche size for installation (HxWxD) : 585-595 x 560-568 x 550 mm
 Dimensions : 595x594x548 mm
 Dimensions of the packed product (HxWxD) : 675 x 660 x 690 mm
 Control Panel Material : Glass
 Door Material : Glass
 Net weight : 33.3 kg
 Usable volume of cavity : 71 l
 Heating modes: : Bottom heat, Conventional heat, Full width grill, Hot Air, Hotair grilling, Pizza setting
 Number of interior lights : 1
 Length electrical supply cord : 120.0 cm
 Interior Lights - cavity 1 : 1
 Pull-out system : Accessory
 Included accessories : 1 x combination grid, 1 x universal pan
 Broil Element Wattages cavity 1 : 2700 W
 Convection Element Wattages cavity 1 : 2200 W
 Energy efficiency class (2010/30/EC) : A+
 Energy consumption per cycle conventional (2010/30/EC) : 0.94 kWh/cycle
 Energy consumption per cycle forced air convection (2010/30/EC) : 0.69 kWh/cycle
 Energy efficiency index (2010/30/EC) : 81.2 %
 Connection Rating : 3400 W
 Fuse protection : 16 A
 Voltage : 220-240 V
 Frequency : 50; 60 Hz
 Plug type : Gardy plug w/ earthing
 Energy input : Electric
 Required cutout/niche size for installation (in) : x
 Dimensions of the packed product : 26.57 x 25.98 x 27.16
 Net weight : 73.000 lbs
 Gross weight : 82.000 lbs
 Length electrical supply cord : 120.0 cm
 Net weight : 33.3 kg



Series 4, Built-in oven, 60 x 60 cm, Black HBA234BB3

Perfect results: 3D hotair for perfect baking and roasting results on up to three levels simultaneously.

Type of oven / heating system:

- Oven with 7 heating methods: 3D Hotair, Conventional heat, Hot air grilling, Full width grill, Pizza setting, Bottom heat, Hotair gentle
- Temperature range 50 °C - 275 °C
- Cavity volume: 71 l

Hook-in racks / rails

- Number of shelf levels: 5 PC
- Telescopic shelf rails as optional accessory

Design:

- Rotary Control, Pop-out controls
- Cavity inner surface: enamel
- Extra large capacity oven

Cleaning:

- EcoClean Direct: coating of back panel
- Cleaning Assistance (manually)
- Full glass inner door

Comfort:

- LED-display control (red)
- Electronic clock
- automatic start
Heating-up control
- Bar handle
- Fast preheat
- Halogen interior lighting
- Integral cooling fan

Accessory:

- 1 x combination grid, 1 x universal pan

Environment and Safety:

- Low door temperature
- Triple glazed door glazed CoolTouch door
- Child lock

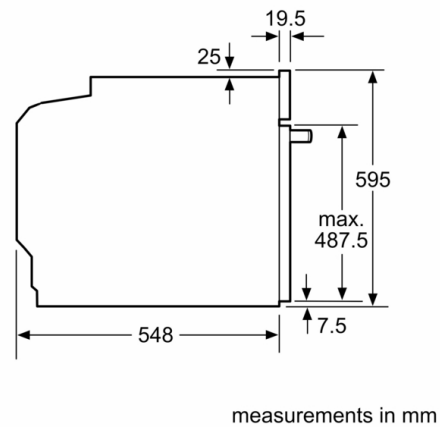
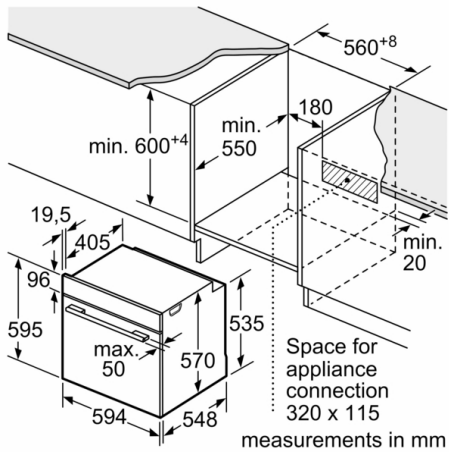
Technical Information

- Length of mains cable: 120 cm
- Nominal voltage: 220 - 240 V
- Total connected load electric: 3.4 KW
- Energy efficiency rating (acc. EU Nr. 65/2014): A+(at a range of energy efficiency classes from A+++ to D)
Energy consumption per cycle in conventional mode:0.94 kWh
Energy consumption per cycle in fan-forced convection mode:0.69 kWh
Number of cavities: 1 Heat source: electrical Cavity volume:71 l

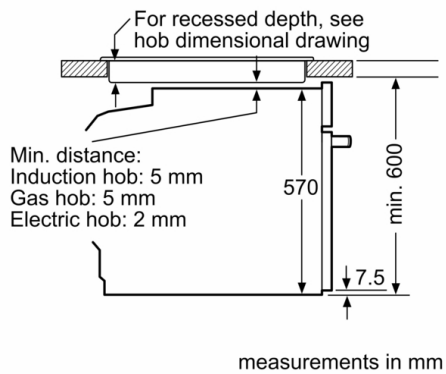
Dimensions:

- Appliance dimension (HxWxD): 595 mm x 594 mm x 548 mm
- Niche dimension (HxWxD): 585 mm - 595 mm x 560 mm - 568 mm x 550 mm
- "Please reference the built-in dimensions provided in the installation drawing"

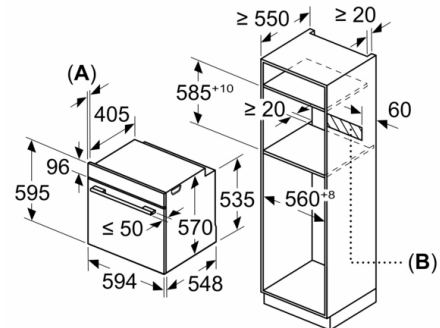
**Series 4, Built-in oven, 60 x 60 cm, Black
HBA234BB3**



Installation with a hob.



Measurements in mm



A: 19.5 mm
B: Space for appliance connection 320 x 115 mm