

Series 4, Built-in oven with added steam function, 60 x 60 cm, Black HQA272BB3



Included accessories

- 1 x combination grid
- 1 x universal pan
- 1 x Air Fry & Grill tray

Optional accessories

- HEZ327000 Pizza stone, HEZ32WA00 Wireless food thermometer, HEZ530000 Half tray, HEZ531010 Baking tray, non-stick ceramic coated, HEZ532010 Baking tray, non-stick ceramic coated, HEZ538000 Universal pan, non-stick ceramic coated, HEZ617000 1fold telescopic rail, level independent, HEZ629070 Pizza pan, enamelled, HEZ629070 Air Fry & Grill tray, HEZ631070 Baking tray, enamelled, HEZ632070 Multipurpose pan, enamelled, HEZ633001 Lid for professional pan, enamelled, HEZ633070 Professional pan, enamelled, HEZ633073 Professional pan, enamelled, HEZ634000 Baking and roasting grid, HEZ636000 Glass pan, HEZ638000 Full ext rails, level independent, HEZ660060 Strip, HEZ915003 Glass roasting dish, 5,4 L, HEZG0AS00 Connecting cable 3m

Healthy cooking: Air Fry Function for perfectly fried foods with hardly any oil, pyrolytic self-cleaning and Hotair Steam.

- **Air Fry Function with tray:** for perfectly fried foods, such as vegetables and chips.
- **Added Steam Function:** by adding steam, baked food turn out crispy on the outside and fluffy on the inside.
- **Hotair Steam:** food turns out crispy on the outside and juicy on the inside.
- **Auto Pilot 10:** every dish is a perfect success thanks to 10 pre-set automatic programmes.
- **LED Touch Control:** simple access to heating modes, temperature and extra functions via touch buttons.

Technical Data

- Gross weight : 37.0 kg
- Built-in / Free-standing : Built-in
- Integrated Cleaning system : Pyrolytic+Hydrolytic
- Min. required niche size for installation (HxWxD) : 585-595 x 560-568 x 550 mm
- Dimensions : 595x594x548 mm
- Dimensions of the packed product (HxWxD) : 675 x 660 x 690 mm
- Control Panel Material : Glass
- Door Material : Glass
- Net weight : 34.9 kg
- Usable volume of cavity : 71 l
- Heating modes: : Air fry, Conventional heat, Full width grill, Hot Air, Hotair gentle, Hot air grilling, Pizza setting
- Number of interior lights : 1
- Length electrical supply cord : 120.0 cm
- Interior Lights - cavity 1 : 1
- Pull-out system : Accessory
- Included accessories : 1 x combination grid, 1 x universal pan, 1 x Air Fry & Grill tray
- Broil Element Wattages cavity 1 : 2800 W
- Convection Element Wattages cavity 1 : 2200 W
- Energy efficiency class (2010/30/EC) : A+
- Energy consumption per cycle conventional (2010/30/EC) : 0.94 kWh/cycle
- Energy consumption per cycle forced air convection (2010/30/EC) : 0.69 kWh/cycle
- Energy efficiency index (2010/30/EC) : 81.2 %
- Connection Rating : 3600 W
- Fuse protection : 16 A
- Voltage : 220-240 V
- Frequency : 50; 60 Hz
- Plug type : GARDY plug w/ earthing
- Energy input : Electric
- Required cutout/niche size for installation (in) : x
- Dimensions of the packed product : 26.57 x 25.98 x 27.16
- Net weight : 77.000 lbs
- Gross weight : 82.000 lbs
- Length electrical supply cord : 120.0 cm
- Net weight : 34.9 kg



Series 4, Built-in oven with added steam function, 60 x 60 cm, Black HQA272BB3

Healthy cooking: Air Fry Function for perfectly fried foods with hardly any oil, pyrolytic self-cleaning and Hotair Steam.

Type of oven / heating system:

- Oven with 8 heating methods: 3D Hotair, Conventional heat, Hot air grilling, Full width grill, Pizza setting, Hotair gentle, Air fry, Hotair steam
- Temperature range 30 °C - 275 °C
- Cavity volume: 71 l

Hook-in racks / rails

- Number of shelf levels: 5 PC
- Telescopic shelf rails as optional accessory

Design:

- Touch control
- Cavity inner surface: enamel
- Extra large capacity oven

Cleaning:

- Pyrolytic self-cleaning function
- Cleaning Assistance (program)
- Full glass inner door

Comfort:

- LED-touch control (red/white)
- Electronic clock
- Temperature proposal
Heating-up control
- AutoPilot 10
- Bar handle
- Supporting systems: Programs
- Automatic rapid heating up
- Halogen interior lighting, Switch for oven illumination
- Water bowl with a volume of 250 ml
- Integral cooling fan

Accessory:

- 1 x combination grid, 1 x universal pan, 1 x Air Fry & Grill tray

Environment and Safety:

- Low door temperature
- Low door temperature during pyrolytic cleaning
- Quadruple glass door panel glazed CoolTouch door
- Automatic door lock during pyrolysis
Child lock Start-/Stop button

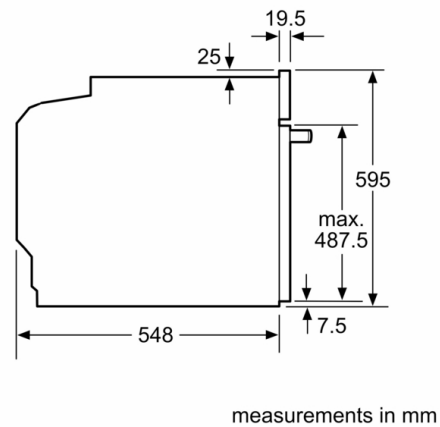
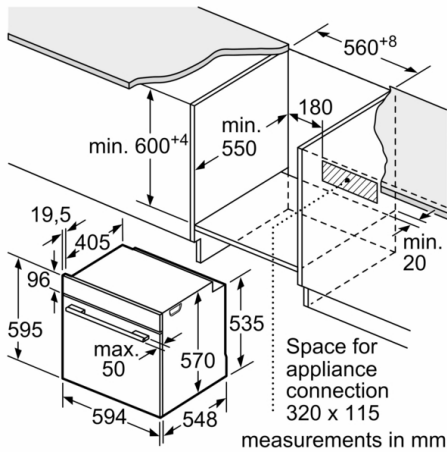
Technical Information

- Length of mains cable: 120 cm
- Nominal voltage: 220 - 240 V
- Total connected load electric: 3.6 KW
- Energy efficiency rating (acc. EU Nr. 65/2014): A+(at a range of energy efficiency classes from A+++ to D)
Energy consumption per cycle in conventional mode:0.94 kWh
Energy consumption per cycle in fan-forced convection mode:0.69 kWh
Number of cavities: 1 Heat source: electrical Cavity volume:71 l

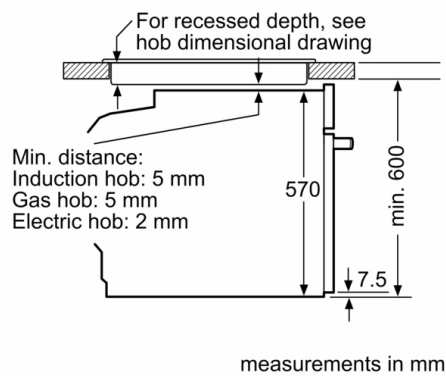
Dimensions:

- Appliance dimension (HxWxD): 595 mm x 594 mm x 548 mm
- Niche dimension (HxWxD): 585 mm - 595 mm x 560 mm - 568 mm x 550 mm
- "Please reference the built-in dimensions provided in the installation drawing"

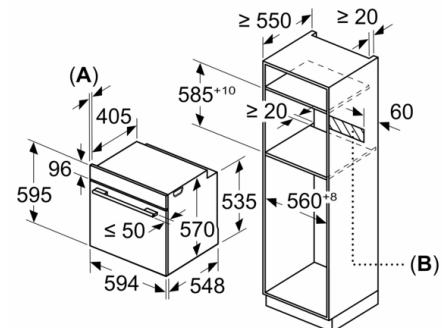
**Series 4, Built-in oven with added steam function, 60 x 60 cm, Black
HQA272BB3**



Installation with a hob.



Measurements in mm



A: 19.5 mm
B: Space for appliance connection 320 x 115 mm