

## Series 4, Built-in oven with added steam function, 60 x 60 cm, Black HRG212BB3



### Included accessories

1 x combination grid  
1 x universal pan  
1 x Air Fry & Grill tray

### Optional accessories

HEZ327000 Pizza stone, HEZ32WA00 Wireless food thermometer, HEZ530000 Half tray, HEZ531010 Baking tray, non-stick ceramic coated, HEZ532010 Universal pan, non-stick ceramic coated, HEZ538000 1fold telescopic rail, level independent, HEZ617000 Pizza pan, enamelled, HEZ629070 Air Fry & Grill tray, HEZ631070 Baking tray, enamelled, HEZ632070 Multipurpose pan, enamelled, HEZ633001 Lid for professional pan, enamelled, HEZ633070 Professional pan, enamelled, HEZ633073 Professional pan, enamelled, HEZ634000 Baking and roasting grid, HEZ636000 Glass pan, HEZ638000 Full ext rails, level independent, HEZ660060 Strip, HEZ915003 Glass roasting dish, 5,4 L, HEZG0AS00 Connecting cable 3m

## Healthy cooking: Air Fry Function for perfectly fried foods with hardly any oil and Added Steam.

- **Air Fry Function with tray:** for perfectly fried foods, such as vegetables and chips.
- **Added Steam:** by adding steam, foods turn out crispy on the outside and juicy on the inside.
- **AutoPilot 15:** every dish is a perfect success thanks to 15 pre-set automatic programmes.
- **LED Touch Control:** simple access to heating modes, temperature and extra functions via touch buttons.
- **3D Hotair:** even heat distribution for perfect results on up to three levels.

### Technical Data

Gross weight : 37.0 kg

Built-in / Free-standing : Built-in

Integrated Cleaning system : Hydrolytic

Min. required niche size for installation (HxWxD) : 585-595 x 560-568 x 550 mm

Dimensions : 595x594x548 mm

Dimensions of the packed product (HxWxD) : 675 x 660 x 690 mm

Control Panel Material : Glass

Door Material : Glass

Net weight : 34.9 kg

Usable volume of cavity : 71 l

Heating modes: : Air fry, Conventional heat, Full width grill,

Hot Air, Hotair gentle, Hot air grilling, Pizza setting

Number of interior lights : 1

Length electrical supply cord : 120.0 cm

Interior Lights - cavity 1 : 1

Pull-out system : Accessory

Included accessories : 1 x combination grid, 1 x universal pan, 1 x Air Fry & Grill tray

Broil Element Wattages cavity 1 : 2800 W

Convection Element Wattages cavity 1 : 2200 W

Energy efficiency class (2010/30/EC) : A+

Energy consumption per cycle conventional (2010/30/EC) : 0.94 kWh/cycle

Energy consumption per cycle forced air convection (2010/30/EC) : 0.69 kWh/cycle

Energy efficiency index (2010/30/EC) : 81.2 %

Connection Rating : 3600 W

Fuse protection : 16 A

Voltage : 220-240 V

Frequency : 50; 60 Hz

Plug type : GARDY plug w/ earthing

Energy input : Electric

Required cutout/niche size for installation (in) : x

Dimensions of the packed product : 26.57 x 25.98 x 27.16

Net weight : 77.000 lbs

Gross weight : 82.000 lbs

Length electrical supply cord : 120.0 cm

Net weight : 34.9 kg



## **Series 4, Built-in oven with added steam function, 60 x 60 cm, Black HRG212BB3**

### **Healthy cooking: Air Fry Function for perfectly fried foods with hardly any oil and Added Steam.**

#### **Type of oven / heating system:**

- Oven with 8 heating methods: 3D Hotair, Conventional heat, Hot air grilling, Full width grill, Pizza setting, Hotair gentle, Air fry, Hotair steam
- Temperature range 30 °C - 275 °C
- Cavity volume: 71 l

#### **Hook-in racks / rails**

- Number of shelf levels: 5 PC
- Telescopic shelf rails as optional accessory

#### **Design:**

- Touch control
- Cavity inner surface: enamel
- Extra large capacity oven

#### **Cleaning:**

- Cleaning Assistance (program)
- Full glass inner door

#### **Comfort:**

- LED-touch control (red/white)
- Electronic clock
- Temperature proposal Heating-up control
- AutoPilot 15
- Additional functions: descaling programme
- Drop down door
- Bar handle
- Oven door with SoftOpen and SoftClose
- Supporting systems: Programs
- Automatic rapid heating up
- Halogen interior lighting, Switch for oven illumination
- There are different steam intensities selectable: steam level low
- Water tank with a volume of 220 ml
- Water tank empty indicator
- Location of the steam generator is outside of the cavity
- Integral cooling fan

#### **Accessory:**

- 1 x combination grid, 1 x universal pan, 1 x Air Fry & Grill tray

#### **Environment and Safety:**

- Low door temperature
- Triple glazed door glazed CoolTouch door
- Child lock
- Start-/Stop button

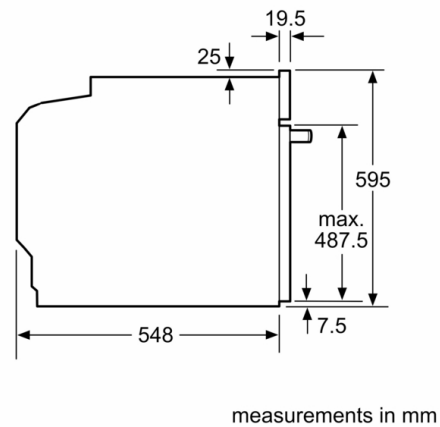
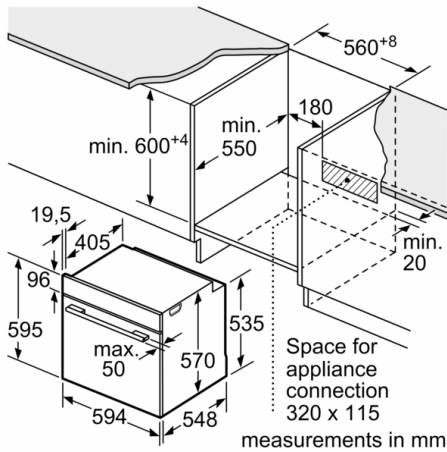
#### **Technical Information**

- Length of mains cable: 120 cm
- Nominal voltage: 220 - 240 V
- Total connected load electric: 3.6 KW
- Energy efficiency rating (acc. EU Nr. 65/2014): A+(at a range of energy efficiency classes from A+++ to D)  
Energy consumption per cycle in conventional mode:0.94 kWh  
Energy consumption per cycle in fan-forced convection mode:0.69 kWh  
Number of cavities: 1 Heat source: electrical Cavity volume:71 l

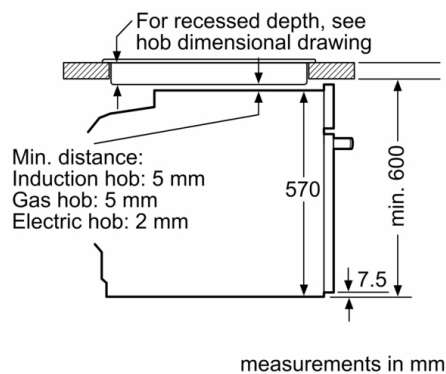
#### **Dimensions:**

- Appliance dimension (HxWxD): 595 mm x 594 mm x 548 mm
- Niche dimension (HxWxD): 585 mm - 595 mm x 560 mm - 568 mm x 550 mm
- "Please reference the built-in dimensions provided in the installation drawing"

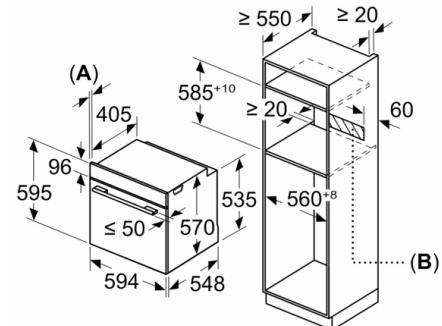
**Series 4, Built-in oven with added steam function, 60 x 60 cm, Black HRG212BB3**



Installation with a hob.



Measurements in mm



**A:** 19.5 mm  
**B:** Space for appliance connection 320 x 115 mm