

Series 4, Built-in oven with added steam function, 60 x 60 cm, Black HRG272EB3



Included accessories

- 1 x combination grid
- 1 x universal pan
- 1 x Air Fry & Grill tray

Optional accessories

HEZ327000 Pizza stone, HEZ32WA00 Wireless food thermometer, HEZ531010 Baking tray, non-stick ceramic coated, HEZ532010 Universal pan, non-stick ceramic coated, HEZ538000 1fold telescopic rail, level independent, HEZ617000 Pizza pan, enamelled, HEZ629070 Air Fry & Grill tray, HEZ631070 Baking tray, enamelled, HEZ632070 Multipurpose pan, enamelled, HEZ633001 Lid for professional pan, enamelled, HEZ633070 Professional pan, enamelled, HEZ633073 Professional pan, enamelled, HEZ634000 Baking and roasting grid, HEZ636000 Glass pan, HEZ638000 Full ext rails, level independent, HEZ660060 Strip, HEZ915003 Glass roasting dish, 5,4 L, HEZG0AS00 Connecting cable 3m

Healthy cooking: Air Fry Function for perfectly fried foods with hardly any oil, pyrolytic self-cleaning and Added Steam.

- **Air Fry Function with tray:** for perfectly fried foods, such as vegetables and chips.
- **Added Steam:** by adding steam, foods turn out crispy on the outside and juicy on the inside.
- **AutoPilot 15:** every dish is a perfect success thanks to 15 pre-set automatic programmes.
- **LED Touch Control:** simple access to heating modes, temperature and extra functions via touch buttons.
- **3D Hotair:** even heat distribution for perfect results on up to three levels.

Technical Data

Gross weight : 37.0 kg
 Built-in / Free-standing : Built-in
 Integrated Cleaning system : Pyrolytic+Hydrolytic
 Min. required niche size for installation (HxWxD) : 585-595 x 560-568 x 550 mm
 Dimensions : 595x594x548 mm
 Dimensions of the packed product (HxWxD) : 675 x 660 x 690 mm
 Control Panel Material : Glass
 Door Material : Glass
 Net weight : 34.9 kg
 Usable volume of cavity : 71 l
 Heating modes: : Air fry, Conventional heat, Full width grill, Hot Air, Hotair gentle, Hot air grilling, Pizza setting
 Number of interior lights : 1
 Length electrical supply cord : 120.0 cm
 Interior Lights - cavity 1 : 1
 Pull-out system : 1-level
 Included accessories : 1 x combination grid, 1 x universal pan, 1 x Air Fry & Grill tray
 Broil Element Wattages cavity 1 : 2800 W
 Convection Element Wattages cavity 1 : 2200 W
 Energy efficiency class (2010/30/EC) : A+
 Energy consumption per cycle conventional (2010/30/EC) : 0.94 kWh/cycle
 Energy consumption per cycle forced air convection (2010/30/EC) : 0.69 kWh/cycle
 Energy efficiency index (2010/30/EC) : 81.2 %
 Connection Rating : 3600 W
 Fuse protection : 16 A
 Voltage : 220-240 V
 Frequency : 50; 60 Hz
 Plug type : Gardy plug w/ earthing
 Energy input : Electric
 Required cutout/niche size for installation (in) : x
 Dimensions of the packed product : 26.57 x 25.98 x 27.16
 Net weight : 77.000 lbs
 Gross weight : 82.000 lbs
 Length electrical supply cord : 120.0 cm
 Net weight : 34.9 kg



Series 4, Built-in oven with added steam function, 60 x 60 cm, Black HRG272EB3

Healthy cooking: Air Fry Function for perfectly fried foods with hardly any oil, pyrolytic self-cleaning and Added Steam.

Type of oven / heating system:

- Oven with 8 heating methods: 3D Hotair, Conventional heat, Hot air grilling, Full width grill, Pizza setting, Hotair gentle, Air fry, Hotair steam
- Temperature range 30 °C - 275 °C
- Cavity volume: 71 l

Hook-in racks / rails

- Number of shelf levels: 5 PC
- 1 level telescopic shelf, with Stop function, standard extension

Design:

- Touch control
- Cavity inner surface: enamel
- Extra large capacity oven

Cleaning:

- Pyrolytic self-cleaning function
- Cleaning Assistance (program)
- Full glass inner door

Comfort:

- LED-touch control (red/white)
- Electronic clock
- Temperature proposal Heating-up control
- AutoPilot 15
- Additional functions: descaling programme
- Drop down door
- Bar handle
- Oven door with SoftOpen and SoftClose
- Supporting systems: Programs
- Automatic rapid heating up
- Halogen interior lighting, Switch for oven illumination
- There are different steam intensities selectable: steam level low
- Water tank with a volume of 220 ml
- Water tank empty indicator
- Location of the steam generator is outside of the cavity
- Integral cooling fan

Accessory:

- 1 x combination grid, 1 x universal pan, 1 x Air Fry & Grill tray

Environment and Safety:

- Low door temperature
- Low door temperature during pyrolytic cleaning
- Quadruple glass door panel glazed CoolTouch door
- Automatic door lock during pyrolysis
- Child lock Start-/Stop button

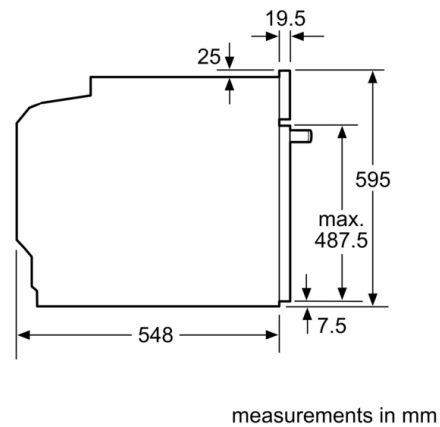
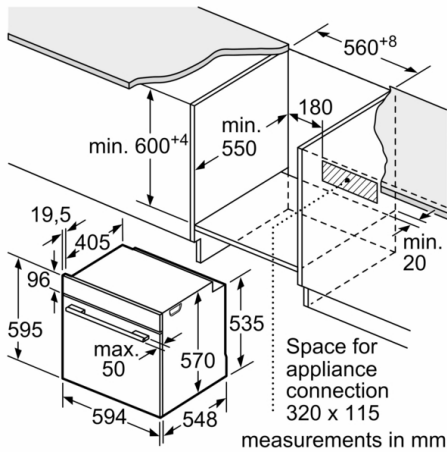
Technical Information

- Length of mains cable: 120 cm
- Nominal voltage: 220 - 240 V
- Total connected load electric: 3.6 KW
- Energy efficiency rating (acc. EU Nr. 65/2014): A+(at a range of energy efficiency classes from A+++ to D)
- Energy consumption per cycle in conventional mode: 0.94 kWh
- Energy consumption per cycle in fan-forced convection mode: 0.69 kWh
- Number of cavities: 1 Heat source: electrical Cavity volume: 71 l

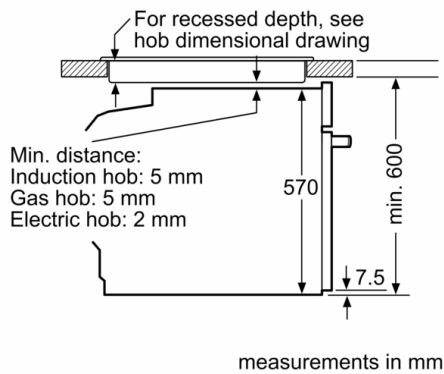
Dimensions:

- Appliance dimension (HxWxD): 595 mm x 594 mm x 548 mm
- Niche dimension (HxWxD): 585 mm - 595 mm x 560 mm - 568 mm x 550 mm
- "Please reference the built-in dimensions provided in the installation drawing"

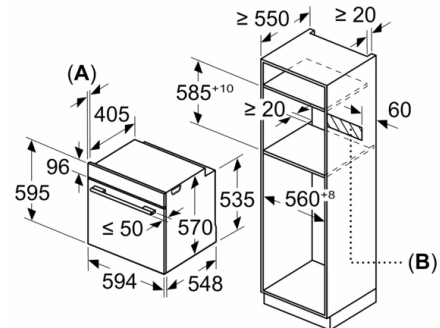
Series 4, Built-in oven with added steam function, 60 x 60 cm, Black HRG272EB3



Installation with a hob.



Measurements in mm



A: 19.5 mm
B: Space for appliance connection 320 x 115 mm