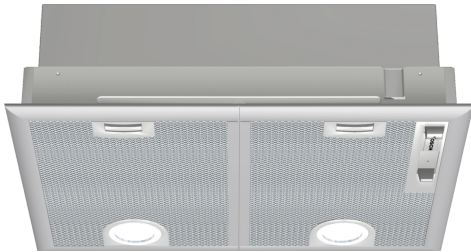


**Series 4, canopy cooker hood, 53 cm,  
Silver metallic  
DHL555BL**



- DHZ7305 Standard odor filter
- DHZ7402 Installation kit for canopy

**The canopy cooker hood: offers you flexibility in your kitchen planning - mount it either on the wall or above a kitchen island.**

- **especially silent:** maximal extractor performance with minimal noise
- **Intensive speed setting:** removes strong kitchen odours especially quickly and effectively.

Typology: ..... Built-in/Built-under  
 Length electrical supply cord: ..... 130.0 cm  
 Min. required niche size for installation (HxWxD): 255mm x 500.0mm x 350mm mm  
 Net weight: ..... 7.5 kg  
 Type of control: ..... mechanical  
 Number of speed settings: ..... 3-stages + intensive setting  
 Max. air extraction: ..... 363 m<sup>3</sup>/h  
 Boost position output recirculating: ..... 395.0 m<sup>3</sup>/h  
 Max. air recirculation: ..... 268 m<sup>3</sup>/h  
 Boost position air extraction: ..... 618 m<sup>3</sup>/h  
 Number of lights: ..... 2  
 Noise level: ..... 56 dB(A) re 1 pW  
 Diameter of air outlet: ..... 120 / 150 mm  
 Grease filter material: ..... Washable aluminium  
 Odour filter: ..... No  
 Operating Mode: ..... Exhaust / Recirculation (Accessory available separately)  
 Optional accessories: ..... DHZ7305, DHZ7402  
 Total power of the lamps: ..... 6 W  
 Grease filter type: ..... Kasette  
 Connection rating: ..... 206 W  
 Fuse protection: ..... 10 A  
 Voltage: ..... 220-240 V  
 Frequency: ..... 50 Hz  
 Plug type: ..... Gardy plug w/ earthing  
 Installation typology: ..... Built-in  
 Material body: ..... Lacquered  
 Plug type: ..... Gardy plug w/ earthing  
 Dimensions of the product, with chimney (if exists) (in): ..... x x  
 Dimensions of the packed product: ..... 11.41 x 23.22 x 17.32  
 Net weight: ..... 17.000 lbs  
 Gross weight: ..... 19.000 lbs  
 Motor location: ..... Integrated motor in hood body  
 No-return airflow flap: ..... Yes  
 Length electrical supply cord: ..... 130.0 cm  
 Dimensions of the product, with chimney (if exists): ..... 255 x 530.0 x 380.0 mm  
 Dimensions of the packed product (HxWxD): ..... 290 x 590 x 440 mm  
 Net weight: ..... 7.5 kg  
 Gross weight: ..... 8.5 kg



## **Series 4, canopy cooker hood, 53 cm, Silver metallic DHL555BL**

**The canopy cooker hood: offers you flexibility in your kitchen planning - mount it either on the wall or above a kitchen island.**

- 
- Energy Efficiency Class: C (at a range of energy efficiency classes from A+++ to D)
  - Average Energy Consumption: 79.8 kWh/year
  - Blower Efficiency Class: D\*
  - Lighting Efficiency Class: A
  - Grease Filtering Efficiency Class: B
  - Noise min./max. Normal Level: 38/56 dB

**Variant:**

**Design:**

**Technical information**

**Environment and safety:**

**Comfort:**

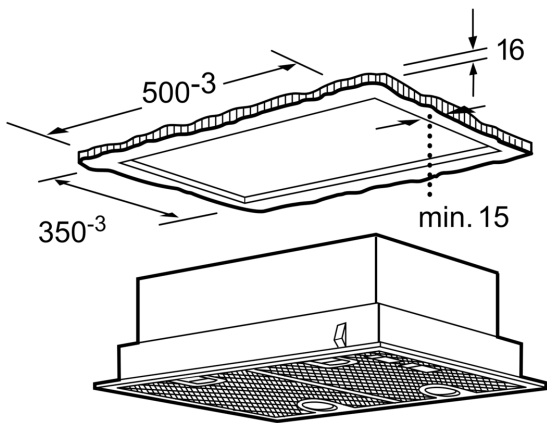
**Measures:**

- Canopy silver metallic
- Suitable for ducted or re-circulated extraction
- 2 x LED spot 2,15W (low volt)
- For recirculated extraction standard odor filter (accessory) needed
- For installation in a modified cupboard, above a hob
- Sliding switch control
- 3 speeds plus intensive setting
- Twin motor
- Dishwasher-safe metal grease filter with aluminium trim
- Light Intensity: 438 lux
- Colour Temperature: 3500 K
- Extraction rate exhaust air according to EN 61591:
  - max. normal use 362 m<sup>3</sup>/h, intensive 618 m<sup>3</sup>/h
- Noise level according to EN 60704-2-13 exhaust air:
  - Max. normal use: 56dB(A) re 1 pW
  - Intensive: 68 dB(A) re 1 pW
- Max. extraction rate: 618 m<sup>3</sup>/h
- Dimensions (HxWxD): 255 x 530 x 380 mm
- Built-in dimensions (HxWxD): 255 x 500 x 350 mm
- Power rating: 206 W
- 120 or 150 mm diameter pipe
- with one-way flap

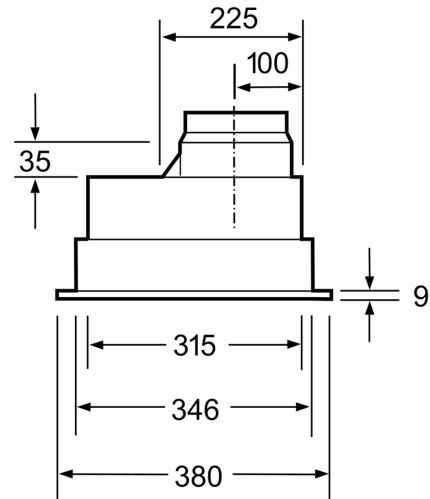
**Technical information**

\* In accordance with the EU-Regulation No 65/2014

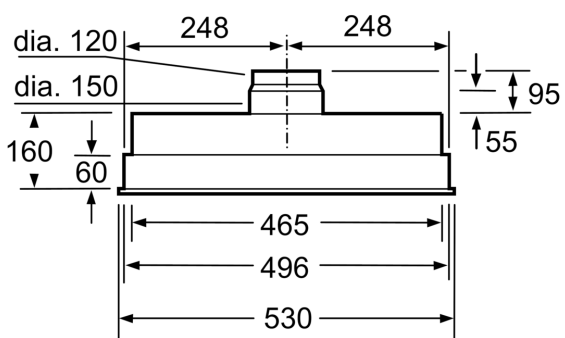
**Series 4, canopy cooker hood, 53 cm,  
Silver metallic  
DHL555BL**



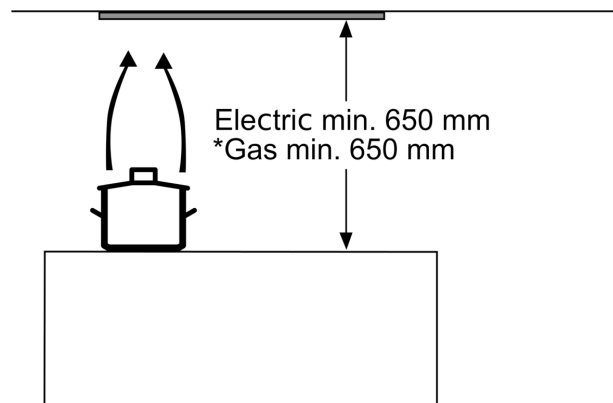
measurements in mm



measurements in mm



measurements in mm



\* from upper edge of pan support

measurements in mm