

**Series 4, Built-in oven, 60 x 60 cm,  
Black  
HBA234BA0**



**The built-in oven with 3D hotair: achieve perfect baking and roasting results on up to three levels simultaneously.**

- **3D hotair:** perfect results thanks to optimal distribution of heat on up to 3 levels simultaneously - without taste transfer.
- **LED-display control, red:** easy-to-use thanks to the time functions.
- **EcoClean Direct:** less cleaning effort thanks to a special coating of the rear wall that automatically absorbs grime.
- **Cleaning Assistance:** less cleaning effort thanks to the new cleaning option, which can be especially used for cleaning of light soiling.

1 x combination grid, 1 x universal pan

HEZ327000 Pizza stone, HEZ32WA00 Wireless food thermometer, HEZ531010 Baking tray, non-stick ceramic coated, HEZ532010 Universal pan, non-stick ceramic coated, HEZ538000 1fold telescopic rail, level independent, HEZ617000 Pizza pan, enamelled, HEZ629070 Air Fry & Grill tray, HEZ631070 Baking tray, enamelled, HEZ632070 Multipurpose pan, enamelled, HEZ633001 Lid for professional pan, enamelled, HEZ633070 Professional pan with grid, enamelled, HEZ634000 Baking and roasting grid, HEZ636000 Glass pan, HEZ660050 Cover Strip, HEZ664000 Baking and roasting grid, steam, HEZ915003 Glass roasting dish, 5,4 L, HEZG0AS00 Connecting cable 3m

Gross weight: ..... 33.2 kg  
 Built-in / Free-standing: ..... Built-in  
 Integrated Cleaning system: ..... EcoClean Direct program, Hydrolytic  
 Min. required niche size for installation (HxWxD): 585-595 x 560-568 x 550 mm  
 Dimensions: ..... 595x594x548 mm  
 Dimensions of the packed product (HxWxD): ..... 675 x 660 x 690 mm  
 Control Panel Material: ..... Glass  
 Door Material: ..... Glass  
 Net weight: ..... 31.0 kg  
 Usable volume of cavity: ..... 71 l  
 Heating modes:: Full width grill, Hotair gentle, Hot Air, Conventional heat, Pizza setting, Bottom heat, Hot air grilling  
 Number of interior lights: ..... 1  
 Length electrical supply cord: ..... 120.0 cm  
 Interior Lights - cavity 1: ..... 1  
 Pull-out system: ..... Accessory  
 Included accessories: ..... 1 x combination grid, 1 x universal pan  
 Broil Element Wattages cavity 1: ..... 2700 W  
 Convection Element Wattages cavity 1: ..... 2200 W  
 Energy efficiency class: ..... A  
 Energy consumption per cycle conventional (2010/30/EC): ..... 0.97 kWh/cycle  
 Energy consumption per cycle forced air convection (2010/30/EC): ..... 0.81 kWh/cycle  
 Energy efficiency index (2010/30/EC): ..... 95.3 %  
 Connection rating: ..... 3400 W  
 Fuse protection: ..... 16 A  
 Voltage: ..... 220-240 V  
 Frequency: ..... 50; 60 Hz  
 Plug type: ..... GARDY plug w/ earthing  
 Energy input: ..... Electric  
 Required cutout/niche size for installation (in): ..... x  
 Dimensions of the packed product: ..... 26.57 x 25.98 x 27.16  
 Net weight: ..... 68.000 lbs  
 Gross weight: ..... 73.000 lbs  
 Length electrical supply cord: ..... 120.0 cm  
 Net weight: ..... 31.0 kg



## **Series 4, Built-in oven, 60 x 60 cm, Black HBA234BA0**

**The built-in oven with 3D hotair: achieve perfect baking and roasting results on up to three levels simultaneously.**

---

### **Type of oven / heating system:**

- Oven with 7 heating methods: 3D hotair, Conventional heat, Hot air grilling, Full width grill, Pizza setting, Bottom heat, Hotair gentle
- Temperature range 50 °C - 275 °C
- Cavity volume: 71 l

### **Hook-in racks / rails**

- Number of shelf levels: 5 PC
- Accessory

### **Design:**

- Rotary Control
- Extra large capacity oven with grey enamel

### **Cleaning:**

- EcoClean Direct: coating of back panel
- Full glass inner door

### **Comfort:**

- LED-display control (red)
- Electronic clock
- automatic start
- Heating-up control
- Bar handle
- Rapid heating-up
- Halogen interior lighting
- Integral cooling fan

### **Accessory:**

- combination grid, universal pan

### **Environment and Safety:**

- Child lock

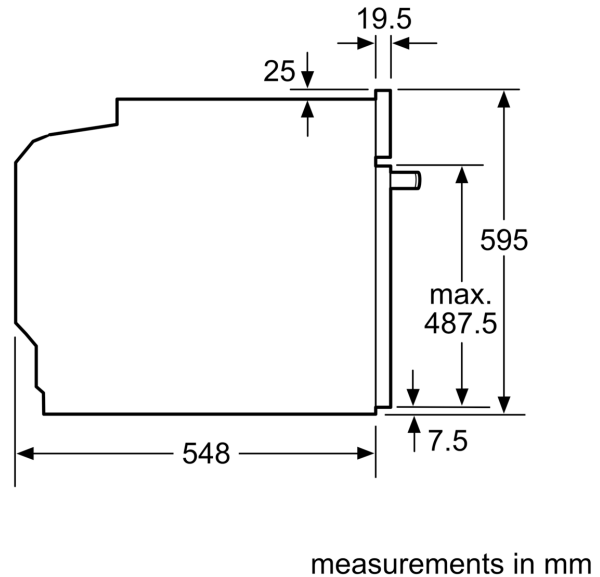
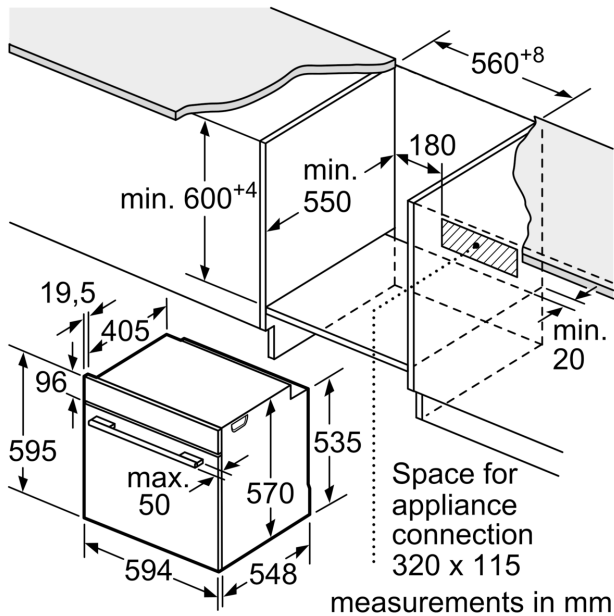
### **Technical Information**

- Length of mains cable: 120 cm
- Nominal voltage: 220 - 240 V
- Total connected load electric: 3.4 kW
- Energy efficiency rating (acc. EU Nr. 65/2014): A(at a range of energy efficiency classes from A+++ to D)
- Energy consumption per cycle in conventional mode:0.97 kWh
- Energy consumption per cycle in fan-forced convection mode:0.81 kWh
- Number of cavities: 1 Heat source: electrical Cavity volume:71 l

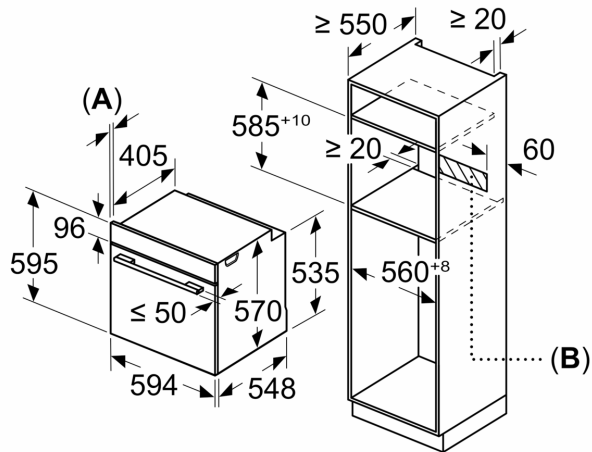
### **Dimensions:**

- Appliance dimension (hxwxh): 595 mm x 594 mm x 548 mm
- Niche dimension (hxwxh): 585 mm - 595 mm x 560 mm - 568 mm x 550 mm
- "Please reference the built-in dimensions provided in the installation drawing"

**Series 4, Built-in oven, 60 x 60 cm,  
Black  
HBA234BA0**



Measurements in mm



**A:** 19.5 mm  
**B:** Space for appliance connection 320 x 115 mm

Installation with a hob.

