
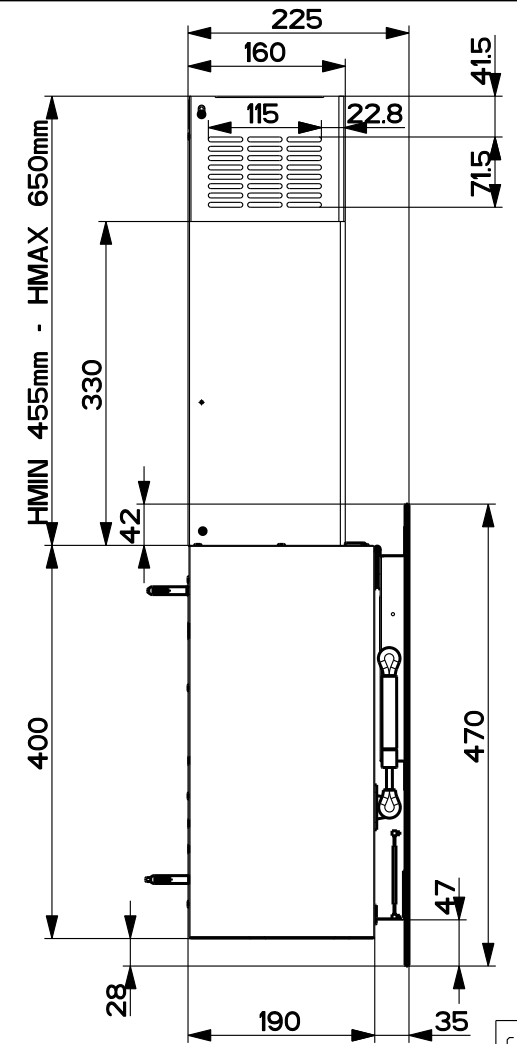
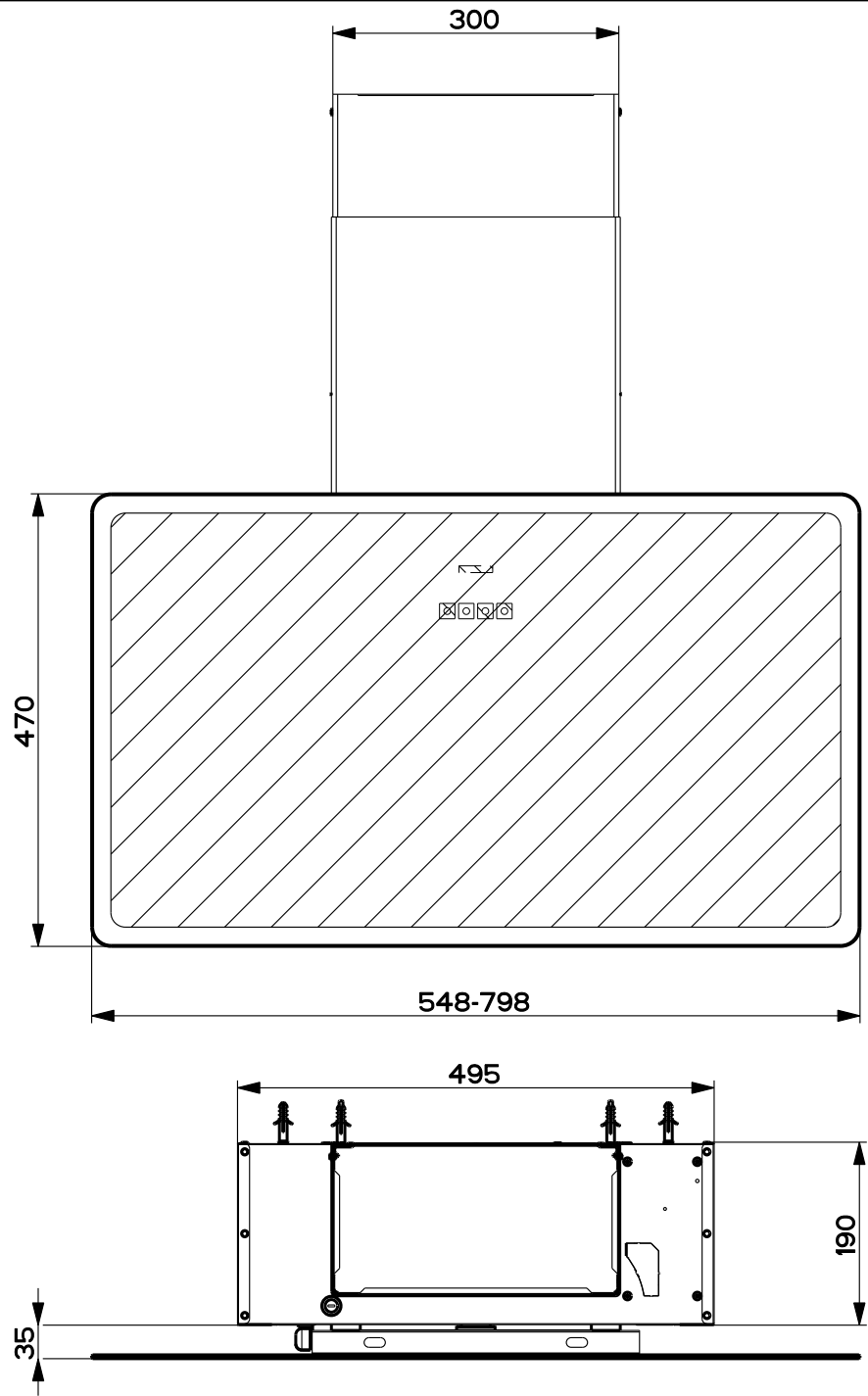


Created by KAD3	
Denomination DIMENSIONAL DRW 55-80 A330-F330	
Lang EN 	Sheet 1/2
Modif.by KAD3	
Approved by Romani, Fabio	
Approval date 29-Jan-2018	
Doc. status Released	
Drawing N. 330040_802	Rev 01



Created by KAD3	
Denomination DIMENSIONAL DRW 55-80 A330-F330	
Lang EN	Sheet 2/2
Modif.by KAD3	
Approved by Romani, Fabio	
Approval date 29-Jan-2018	
Doc. status Released	
Drawing N. 330040_802	Rev 01