
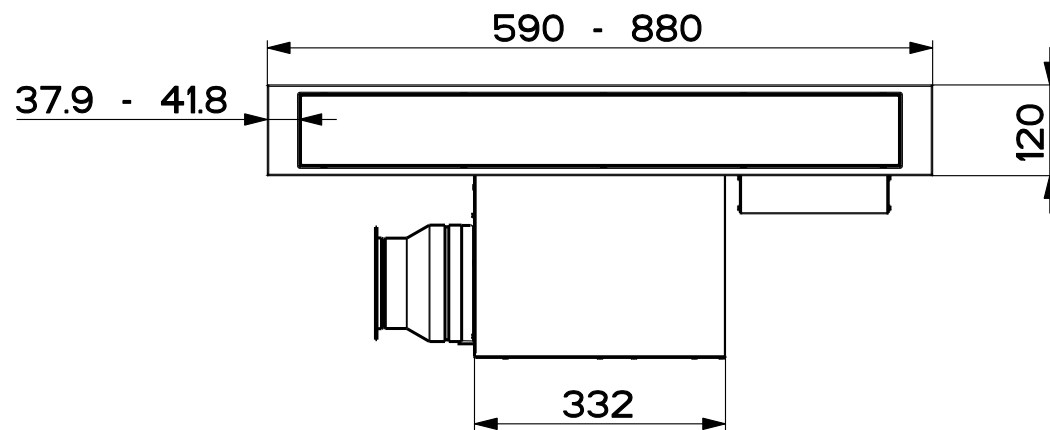
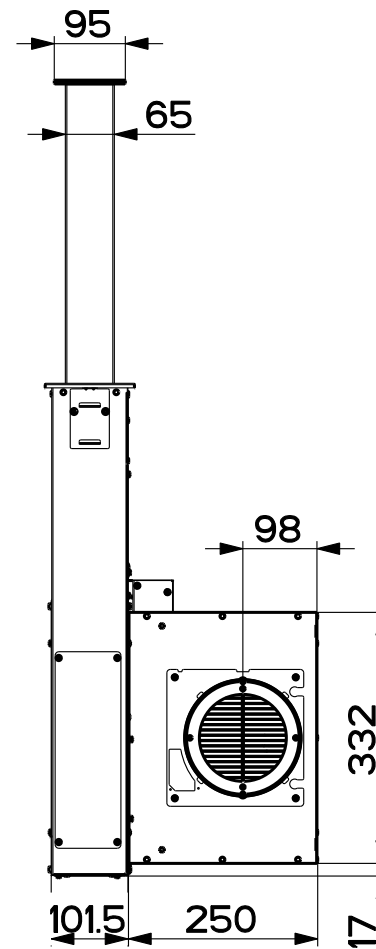
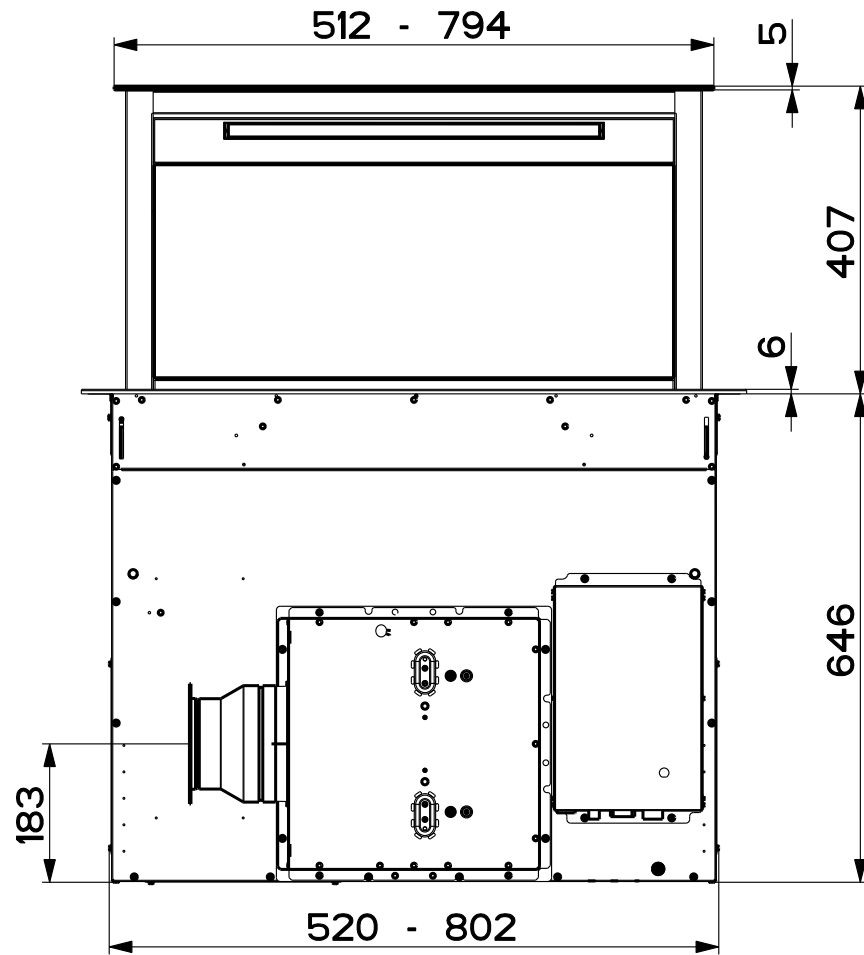


Created by KAD3	
Denomination DIMENSIONAL DRAWING FB	
Lang EN 	Sheet 1/2
Modif. by KAD3	
Approved by Bellucci, Daniele	
Approval date 31-May-2019	
Doc. status Released	
Drawing N. 28A_717	Rev 03



Created by KAD3	
Denomination DIMENSIONAL DRAWING FB	
Lang EN	Sheet 2/2
Modif.by KAD3	
Approved by Bellucci, Daniele	
Approval date 31-May-2019	
Doc. status Released	
Drawing N. 28A_717	Rev 03