
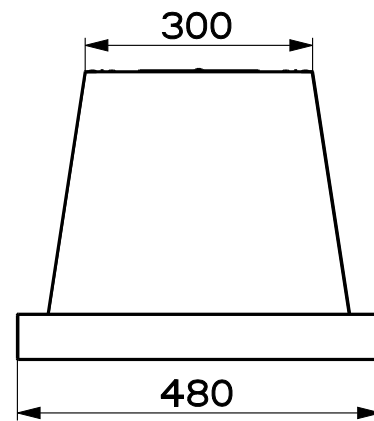
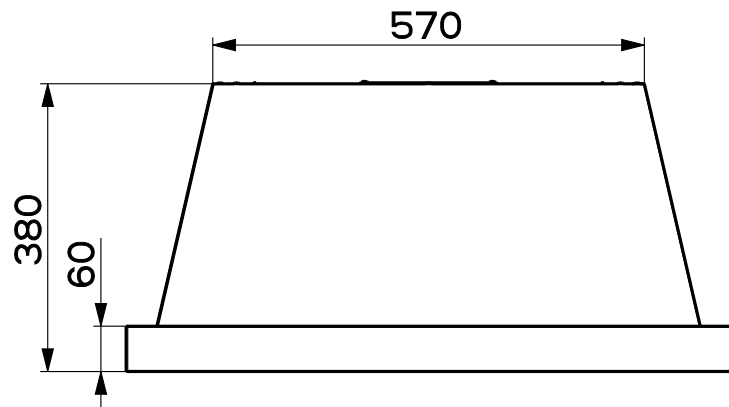
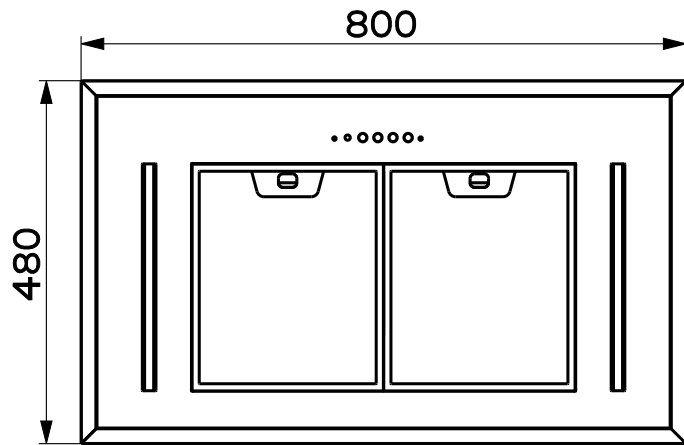



Created by Bellucci, Daniele	
Denomination DIMENSIONAL DRAWING LED BAR SLIM	
Lang EN 	Sheet 1/2
Modif.by dcproxy	
Approved by Bellucci, Daniele	
Approval date 10-Mar-2023	
Doc. status Released	
Drawing N. 321016_720	Rev 02



Created by Bellucci, Daniele	
Denomination DIMENSIONAL DRAWING LED BAR SLIM	
Lang EN 	Sheet 2/2
Modif.by dcproxy	
Approved by Bellucci, Daniele	
Approval date 10-Mar-2023	
Doc. status Released	
Drawing N. 321016_720	Rev 02