

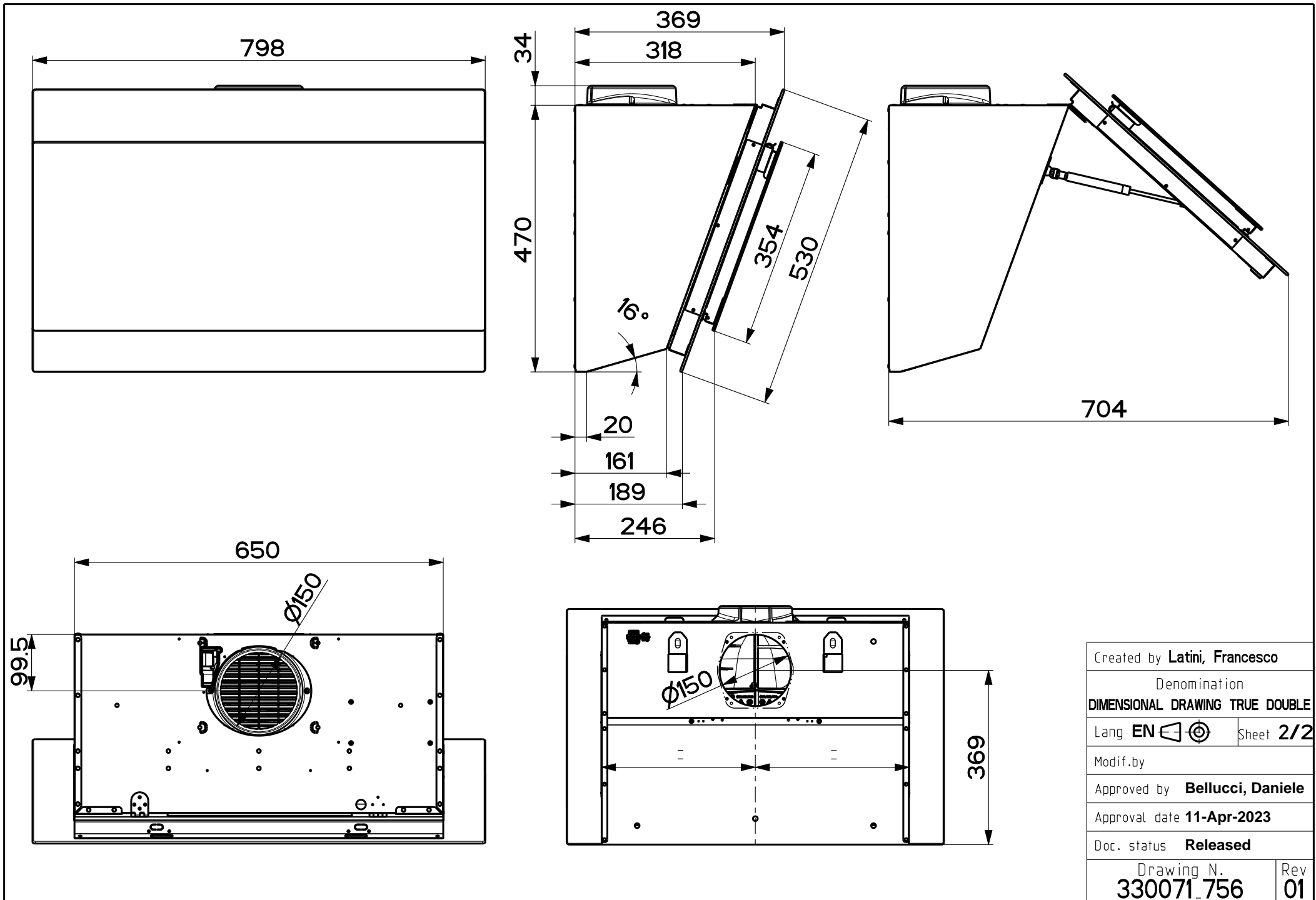


Created by Latini, Francesco	
Denomination DIMENSIONAL DRAWING TRUE DOUBLE	
Lang EN  	Sheet 1/2
Modif.by	
Approved by Bellucci, Daniele	
Approval date 11-Apr-2023	
Doc. status Released	
Drawing N. 330071_756	Rev 01



Created by Latini, Francesco	
Denomination DIMENSIONAL DRAWING TRUE DOUBLE	
Lang EN	Sheet 2/2
Modif.by	
Approved by Bellucci, Daniele	
Approval date 11-Apr-2023	
Doc. status Released	
Drawing N. 330071_756	Rev 01