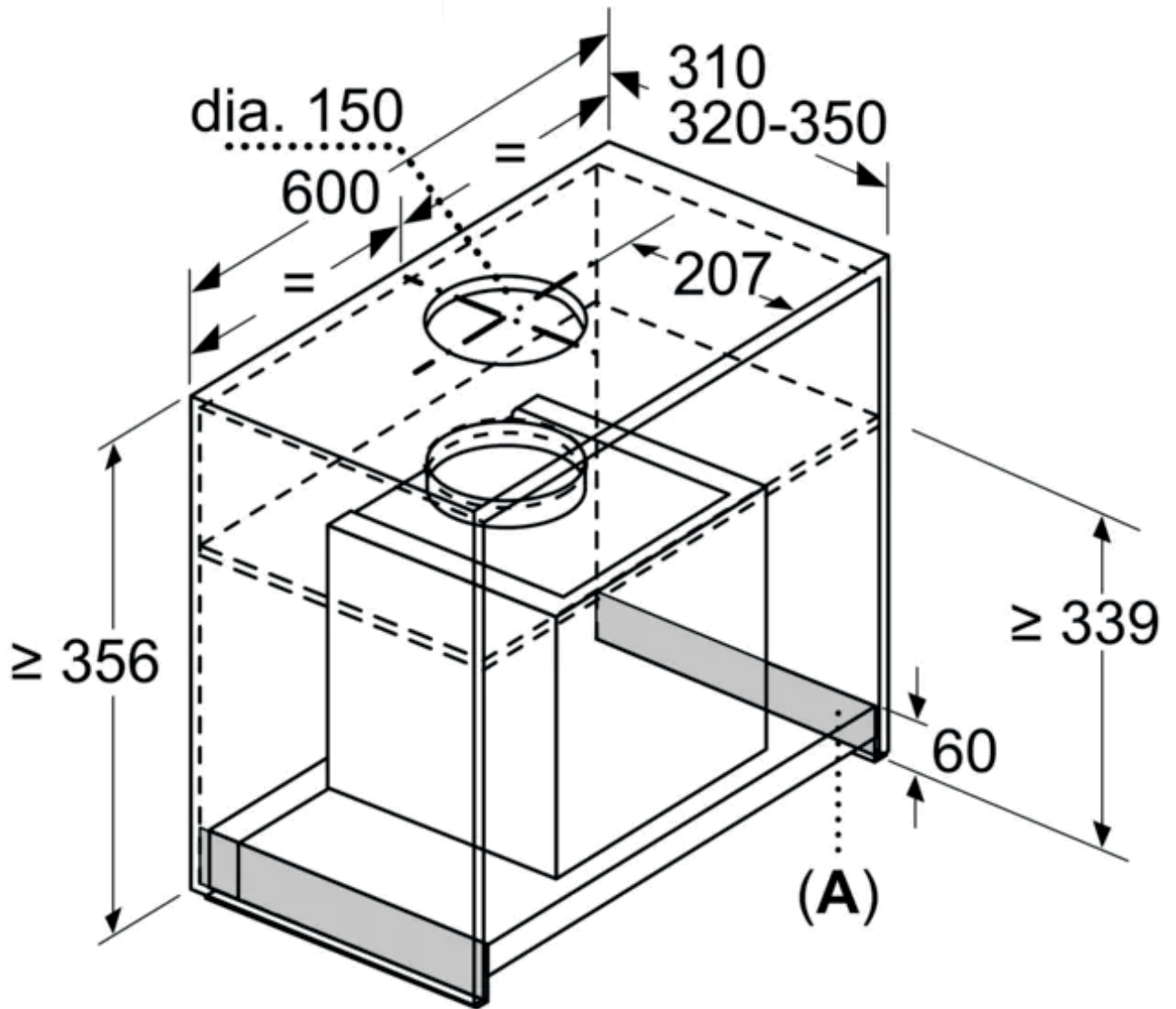
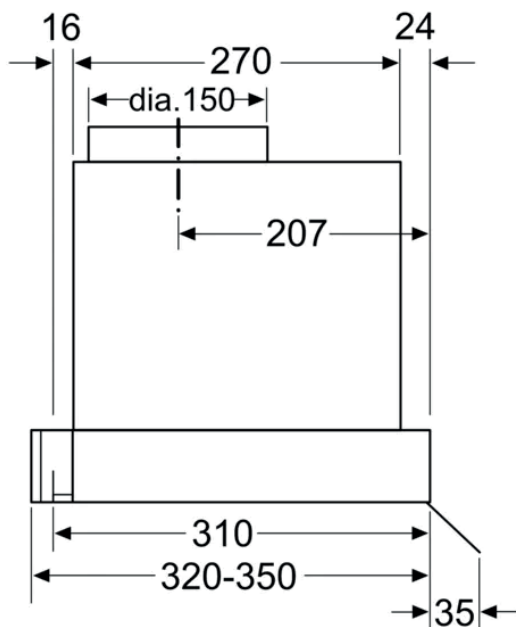


measurements in mm



A: Area without hinge

measurements in mm  
side view



measurements in mm  
front view

