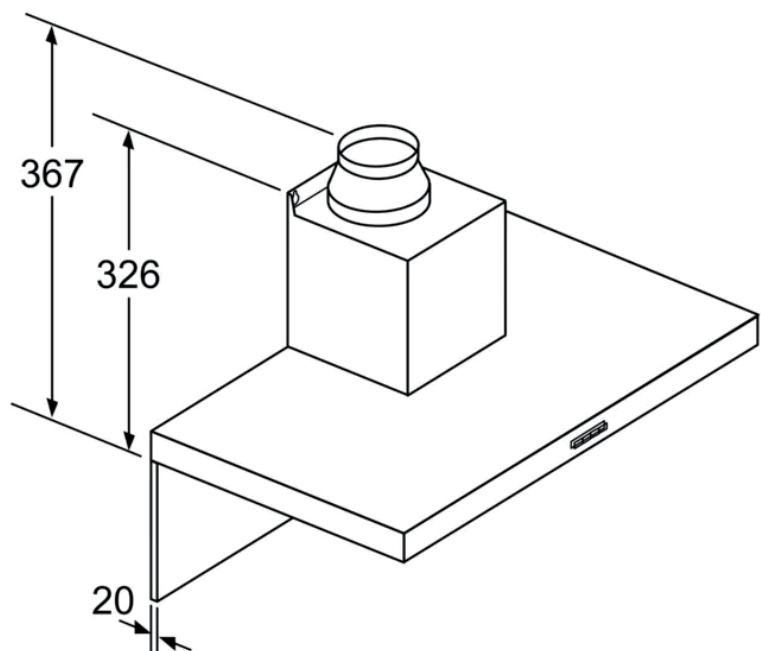
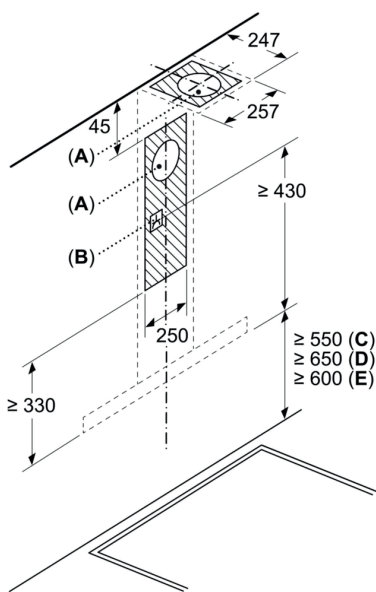


Measurements in mm



- A: Exhaust air outlet
- B: Socket
- C: Electric
- D: Gas - from upper edge of pan support
- E: Electric - for Australia and New Zealand

If a back panel is used,
the design of the appliance
must be considered.

measurements in mm