

**Series 2, wall-mounted cooker hood,
60 cm, Black
DWB66BC60**



- DWZ0DX0A0 Standard odor filter (replacement)
- DWZ0DX0U0 Standard recirculation kit
- DWZ0XX0J0 Long Life recirculation kit
- DWZ1DX1B4 Clean Air Standard odor filter (repl.)
- DWZ1DX114 Clean Air Standard recirculation kit
- DWZ1DX116 Clean Air Plus recirculation kit
- DZZ0XX0P0 Long Life odor filter (replacement)
- DZZ1XX1B6 Clean Air Plus odor filter (replacement)

**Box-design hood: performance and
matching kitchen design bundled in one
hood.**

- **Metal Grease Filter:** cleans the air, captures grease, easy monthly clean-up.

Typology:Wall-mounted
 Length electrical supply cord: 130.0 cm
 Height of the chimney: 583-912/583-1022 mm
 Height of product, without chimney: 53 mm
 Net weight: 11.9 kg
 Type of control:mechanical
 Number of speed settings:3
 Max. air extraction: 621 m³/h
 Max. air recirculation: 422 m³/h
 Number of lights: 2
 Noise level:69 dB(A) re 1 pW
 Diameter of air outlet: 120 / 150 mm
 Grease filter material:Washable aluminium
 Odour filter: No
 Operating Mode:Exhaust / Recirculation (Accessory available separately)
 Optional accessories: DWZ0DX0A0, DWZ0DX0U0, DWZ0XX0J0, DWZ1DX1B4, DWZ1DX114, DWZ1DX116, DZZ0XX0P0, DZZ1XX1B6
 Type of lamps used: LED
 Grease filter type:Kassette
 Connection rating: 220 W
 Fuse protection:10 A
 Voltage: 220-240 V
 Frequency: 50; 60 Hz
 Plug type: Gardy plug w/ earthing
 Installation typology:Wall-mounted
 Material body: Lacquered
 Plug type: Gardy plug w/ earthing
 Dimensions of the product, with chimney (if exists) (in):x x
 Dimensions of the packed product: 19.29 x 25.59 x 28.74
 Net weight:26.000 lbs
 Gross weight: 36.000 lbs
 Motor location: Integrated motor in hood chimney
 No-return airflow flap: Yes
 Length electrical supply cord: 130.0 cm
 Dimensions of the product, with chimney (if exists): .635-1075 MM x 600.0 x 500.0 mm
 Dimensions of the packed product (HxWxD): 490 x 650 x 730 mm
 Net weight: 11.9 kg
 Gross weight: 16.6 kg



Series 2, wall-mounted cooker hood, 60 cm, Black DWB66BC60

Box-design hood: performance and matching kitchen design bundled in one hood.

- Energy Efficiency Class: B (at a range of energy efficiency classes from A+++ to D)
- Average Energy Consumption: 46.5 kWh/year
- Blower Efficiency Class: A*
- Lighting Efficiency Class: A
- Grease Filtering Efficiency Class: B
- Noise min./max. Normal Level: 48/69 dB

Variant:

Design:

Technical information

Performance

Power:

Environment and safety:

Comfort:

Measures:

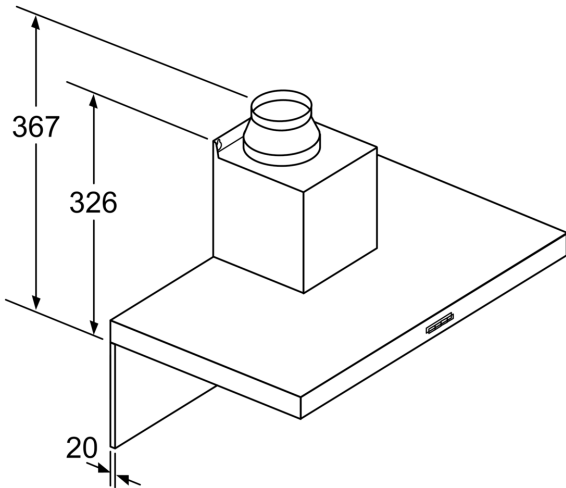
Technical information

- Wall Hood black
- 60 cm Wall mounted chimney hood, black
- 60 cm Wall mounted chimney hood
- 60 cm wide
- Suitable for ducted or re-circulated extraction
- For recirculated extraction standard recirculation kit or Clean Air Plus recirculation kit (accessory) needed
- Wall mounted hood
- push buttons
- 3 speeds via push buttons
- 3 speeds
- Twin channel high performance fan motor
- Energy efficient capacitor motor
- 2 x 1,5 W LED
- Light Intensity: 99 lux
- Colour Temperature: 3500 K
- Metal grease filter, dishwasher safe
- Extraction rate exhaust air according to EN 61591 max. 621 m³/h
- Noise level according to EN 60704-2-13 at max. normal use exhaust air: Noise, max. speed in normal us: 69 dB dB(A) re 1 pW
- Diameter pipe Ø 150 mm (Ø 120 mm enclosed)
- with one-way flap
- Max. extraction rate: 621 m³/h
- Dimensions exhaust air (HxWxD): 635-965 x 600 x 500 mm
- Dimensions recirculating (HxWxD): 635-1075 x 600 x 500 mm
- Dimensions recirculating with CleanAir Plus recirculation kit (HxWxD):
- 703 x 600 x 500mm - mounting with outer chimney

- 833-1163 x 600 x 500 mm - mounting with telescopic chimney
- Dimensions recirculating with cleanAir Plus recirculation kit (HxWxD);
- 703 x 600 x 500mm - mounting with outer chimney
- 833-1163 x 600 x 500 mm - mounting with telescopic chimney
- Dimensions recirculating with CleanAir Plus recirculation kit (HxWxD):
- 703 x 600 x 500mm - mounting with outer chimney
- 833-1163 x 600 x 500 mm - mounting with telescopic chimney
- 703 x 600 x 500mm - mounting with outer chimney
- 833-1163 x 600 x 500 mm - mounting with telescopic chimney
- Power rating: 220 W
- Electrical cable length 1.3 m
- With the Clean Air Plus recirculation kit (available as optional accessory) your appliances reaches:
- Extraction rate in recirculation mode: Max. normal use:422m³/h
- Noise level in recirculation mode: Max. normal use:74 dB(A) re 1 pW

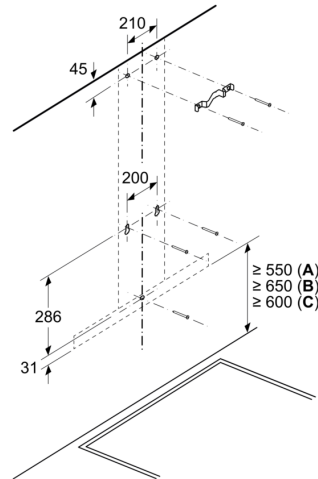
* In accordance with the EU-Regulation No 65/2014

**Series 2, wall-mounted cooker hood,
60 cm, Black
DWB66BC60**



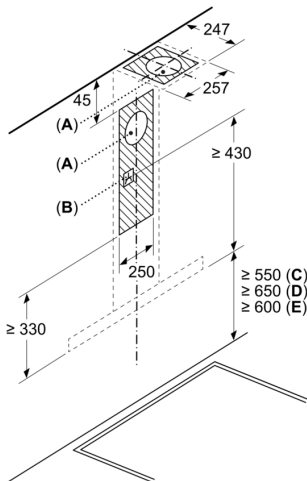
If a back panel is used, the design of the appliance must be considered. measurements in mm

Measurements in mm

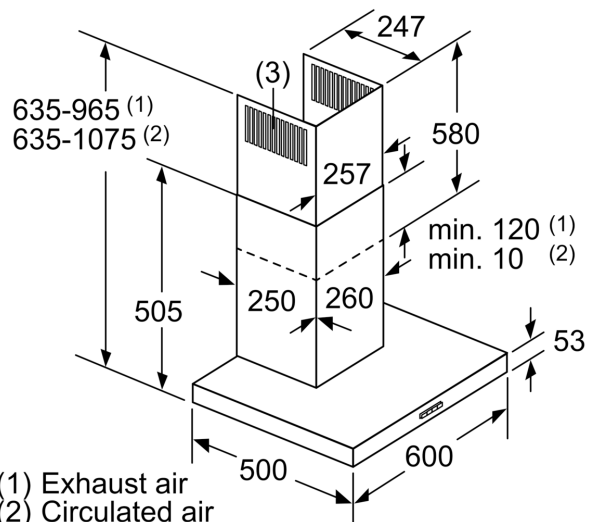


- A: Electric
- B: Gas - from upper edge of pan support
- C: Electric - for Australia and New Zealand

Measurements in mm



- A: Exhaust air outlet
- B: Socket
- C: Electric
- D: Gas - from upper edge of pan support
- E: Electric - for Australia and New Zealand



- (1) Exhaust air
 - (2) Circulated air
 - (3) Air outlet – slots for exhaust air to be mounted facing down
- measurements in mm