

**Series 2, wall-mounted cooker hood,
90 cm, Black
DWB96BC60**



DZZ1XX1B6	Clean Air Plus odor filter (replacement)
DWZ0DX0A0	Standard odor filter (replacement)
DWZ0DX0U0	Standard recirculation kit
DWZ0XX0J0	Long Life recirculation kit
DWZ1DX1B4	Clean Air Standard odor filter (repl.)
DWZ1DX1I4	Clean Air Standard recirculation kit
DWZ1DX1I6	Clean Air Plus recirculation kit
DZZ0XX0P0	Long Life odor filter (replacement)

**Box-design hood: performance and
matching kitchen design bundled in one
hood.**

- **Metal Grease Filter:** cleans the air, captures grease, easy monthly clean-up.

Typology:Wall-mounted
Length electrical supply cord: 130.0 cm
Height of the chimney: 583-912/583-1022 mm
Height of product, without chimney: 53 mm
Net weight: 13.3 kg
Type of control:mechanical
Number of speed settings:3
Max. air extraction: 619 m ³ /h
Max. air recirculation: 422 m ³ /h
Number of lights: 2
Noise level:70 dB(A) re 1 pW
Diameter of air outlet: 120 / 150 mm
Grease filter material:Washable aluminium
Odour filter: No
Operating Mode:Exhaust / Recirculation (Accessory available separately)
Optional accessories:DZZ1XX1B6, DWZ0DX0A0, DWZ0DX0U0, DWZ0XX0J0, DWZ1DX1B4, DWZ1DX1I4, DWZ1DX1I6, DZZ0XX0P0
Type of lamps used: LED
Grease filter type:Kassette
Connection rating: 220 W
Fuse protection:10 A
Voltage: 220-240 V
Frequency: 50; 60 Hz
Plug type: Gardy plug w/ earthing
Installation typology:Wall-mounted
Material body: Lacquered
Plug type: Gardy plug w/ earthing
Dimensions of the product, with chimney (if exists) (in):x x
Dimensions of the packed product: 19.29 x 25.59 x 40.55
Net weight:29.000 lbs
Gross weight: 41.000 lbs
Motor location: Integrated motor in hood chimney
No-return airflow flap: Yes
Length electrical supply cord: 130.0 cm
Dimensions of the product, with chimney (if exists):635-1075 MM x 900.0 x 500.0 mm
Dimensions of the packed product (HxWxD): 490 x 650 x 1030 mm
Net weight: 13.3 kg
Gross weight: 18.7 kg



Series 2, wall-mounted cooker hood, 90 cm, Black DWB96BC60

Box-design hood: performance and matching kitchen design bundled in one hood.

- Energy Efficiency Class: B (at a range of energy efficiency classes from A+++ to D)
- Average Energy Consumption: 47.4 kWh/year
- Blower Efficiency Class: A*
- Lighting Efficiency Class: A
- Grease Filtering Efficiency Class: B
- Noise min./max. Normal Level: 49/70 dB

Variant:

Design:

Technical information

Performance

Power:

Environment and safety:

Comfort:

Measures:

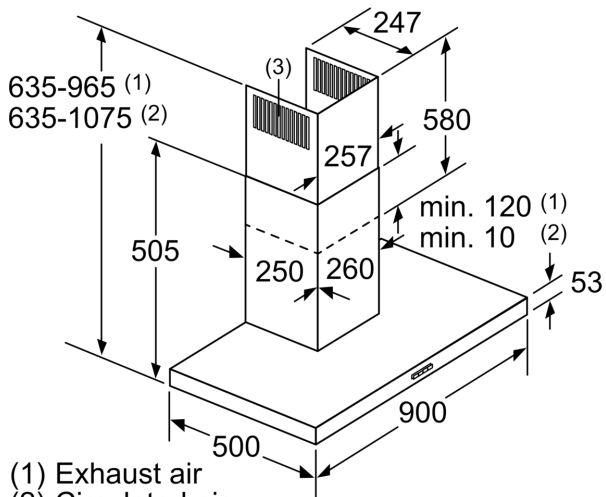
Technical information

- Wall Hood black
- 90 cm Wall mounted chimney hood, black
- 90 cm Wall mounted chimney hood
- 90 cm wide
- Suitable for ducted or re-circulated extraction
- For recirculated extraction standard recirculation kit or Clean Air Plus recirculation kit (accessory) needed
- Wall mounted hood
- push buttons
- 3 speeds via push buttons
- 3 speeds
- Twin channel high performance fan motor
- Energy efficient capacitor motor
- 2 x 1,5 W LED
- Light Intensity: 91 lux
- Colour Temperature: 3500 K
- Metal grease filter, dishwasher safe
- Extraction rate exhaust air according to EN 61591 max. 619 m³/h
- Noise level according to EN 60704-2-13 at max. normal use exhaust air: Noise, max. speed in normal us: 70 dB dB(A) re 1 pW
- Diameter pipe Ø 150 mm (Ø 120 mm enclosed)
- with one-way flap
- Max. extraction rate: 619 m³/h
- Dimensions exhaust air (HxWxD): 635-965 x 900 x 500 mm
- Dimensions recirculating (HxWxD): 635-1075 x 900 x 500 mm
- Dimensions recirculating with CleanAir Plus recirculation kit (HxWxD):
- 703 x 900 x 500mm - mounting with outer chimney

- 833-1163 x 900 x 500 mm - mounting with telescopic chimney
- Dimensions recirculating with cleanAir Plus recirculation kit (HxWxD);
- 703 x 900 x 500mm - mounting with outer chimney
- 833-1163 x 900 x 500 mm - mounting with telescopic chimney
- Dimensions recirculating with CleanAir Plus recirculation kit (HxWxD):
- 703 x 900 x 500mm - mounting with outer chimney
- 833-1163 x 900 x 500 mm - mounting with telescopic chimney
- 703 x 900 x 500mm - mounting with outer chimney
- 833-1163 x 900 x 500 mm - mounting with telescopic chimney
- Power rating: 220 W
- Electrical cable length 1.3 m
- With the Clean Air Plus recirculation kit (available as optional accessory) your appliances reaches:
- Extraction rate in recirculation mode: Max. normal use:422m³/h
- Noise level in recirculation mode: Max. normal use:74 dB(A) re 1 pW

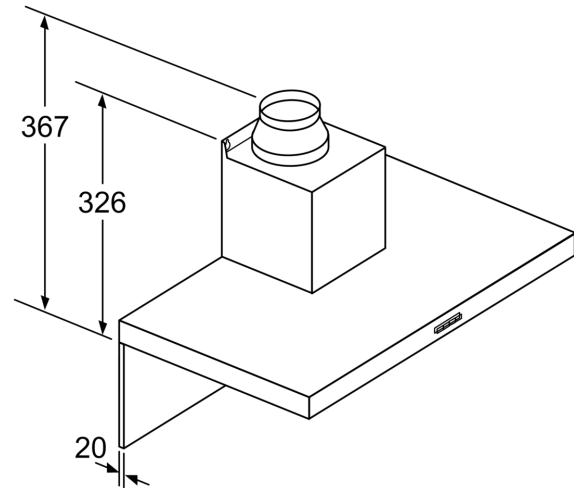
* In accordance with the EU-Regulation No 65/2014

**Series 2, wall-mounted cooker hood,
90 cm, Black
DWB96BC60**



- (1) Exhaust air
- (2) Circulated air
- (3) Air outlet – slots for exhaust air to be mounted facing down

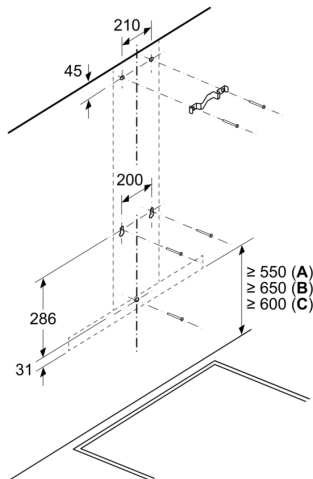
measurements in mm



If a back panel is used, the design of the appliance must be considered.

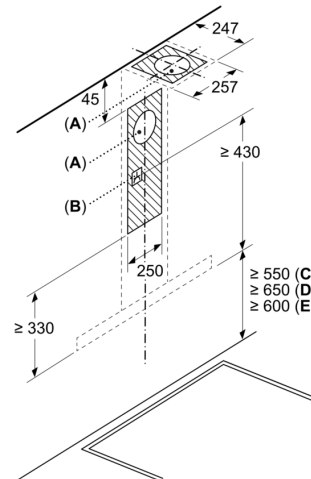
measurements in mm

Measurements in mm



- A: Electric
- B: Gas - from upper edge of pan support
- C: Electric - for Australia and New Zealand

Measurements in mm



- A: Exhaust air outlet
- B: Socket
- C: Electric
- D: Gas - from upper edge of pan support
- E: Electric - for Australia and New Zealand