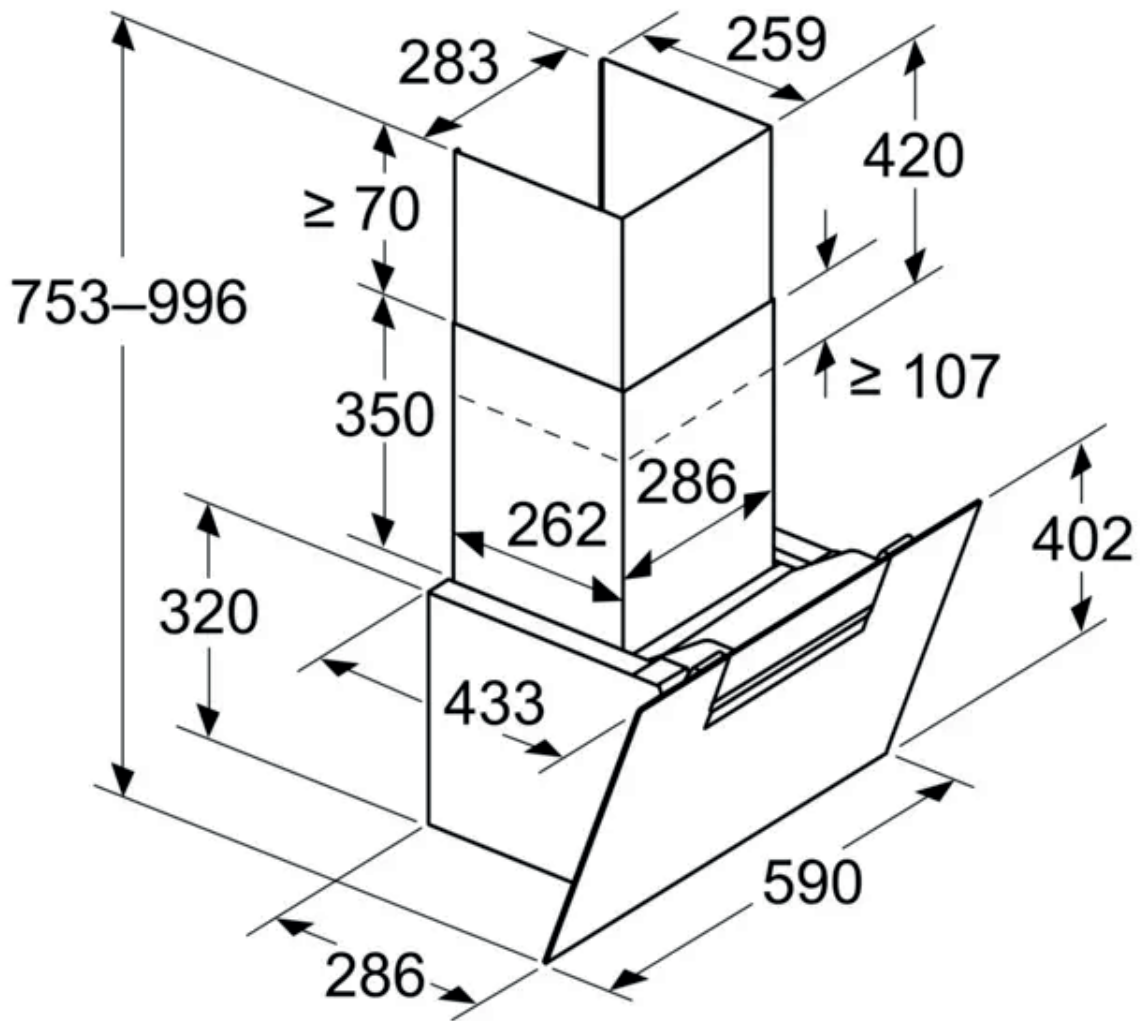
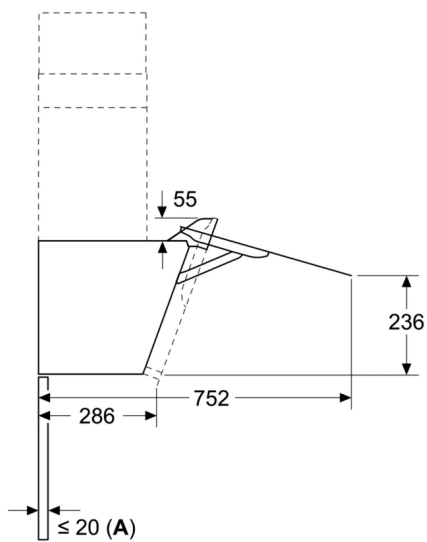


# Measurements in mm

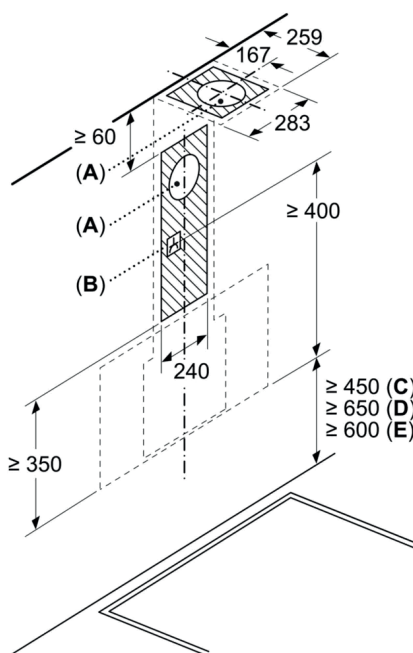
## Appliance in exhaust air mode



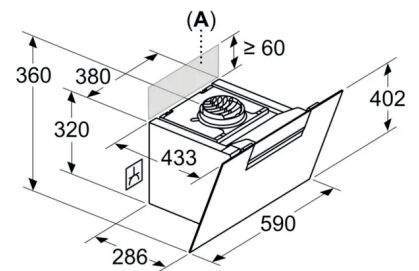
Measurements in mm



Measurements in mm



Measurements in mm  
Appliance in circulated air mode without duct



Socket can be fitted to the side of or above the appliance

A: Socket only outside the marked area

A: Max. back wall thickness

- A: Exhaust-air outlet
- B: Socket
- C: Electric
- D: Gas - from upper edge of pan support
- E: Electric - for Australia and New Zealand