

Series 4, wall-mounted cooker hood, 60 cm, clear glass black printed DWK67FN60



DWZ0BX6K1	Chimney extension 1000 mm
DWZ0BX6L1	Chimney extension 1500 mm
DWZ1KK1B6	Clean Air Plus odor filter (replacement)
DWZ1KK1I6	Clean Air Plus recirculation kit
DWZ1KK1V6	Clean Air Plus recirc. kit (chimless)
HEZG9AS00S	Adapter

- **EcoSilence Drive:** the powerful, energy-saving drive for hoods.
- **Hob-based hood control:** Convenient control of cooker hood functions via the hob.
- **Temperature Light:** create perfect kitchen ambience with adjustable LED lighting.

Typology:Wall-mounted
Length electrical supply cord: 130.0 cm
Height of the chimney: 420-663/457-750 mm
Height of product, without chimney: 320 mm
Net weight: 14.3 kg
Type of control:Electronic
Number of speed settings: 3-stages + intensive setting
Max. air extraction: 431 m ³ /h
Boost position output recirculating: 687 m ³ /h
Max. air recirculation: 427 m ³ /h
Boost position air extraction: 768 m ³ /h
Number of lights: 2
Noise level: 56 dB(A) re 1 pW
Diameter of air outlet: 150 mm
Grease filter material:Washable aluminium
Odour filter: No
Operating Mode:Exhaust / Recirculation (Accessory available separately)
Optional accessories:DWZ0BX6K1, DWZ0BX6L1, DWZ1KK1B6, DWZ1KK1I6, DWZ1KK1V6, HEZG9AS00S
Grease filter type:Kassette
Connection rating: 140 W
Fuse protection:10 A
Voltage: 220-240 V
Frequency: 50; 60 Hz
Plug type: Gardy plug w/ earthing
Installation typology:Wall-mounted
Plug type: Gardy plug w/ earthing
Dimensions of the product, with chimney (if exists) (in):x x
Dimensions of the packed product: 19.29 x 34.64 x 25.19
Net weight: 32.000 lbs
Gross weight: 48.000 lbs
Motor location: Integrated motor in hood body
No-return airflow flap: Yes
Length electrical supply cord: 130.0 cm
Dimensions of the product, with chimney (if exists): 790-1083 x 590.0 x 433.0 mm
Dimensions of the packed product (HxWxD): 490 x 880 x 640 mm
Net weight: 14.3 kg
Gross weight: 21.9 kg

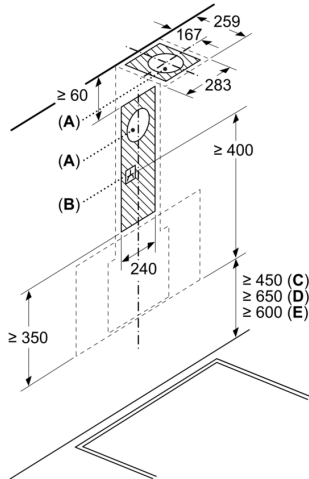


Series 4, wall-mounted cooker hood, 60 cm, clear glass black printed DWK67FN60

- Inclined design
- Glass plate: clear glass black printed
- Suitable for ducted or re-circulated extraction
- In recirculation operation chimneyless use possible
- Efficient BLDC-technology
- Colour Temperature: 3500 K
- Light Intensity: 502 lux
- 3 speeds plus intensive setting
- Voice Control enabled via popular voice assistants (only in countries where this service is available)
- The Home Connect functionality can be extended by integrating numerous applications from external cooperation partners (partnerships)
- Easy to clean smooth surfaces and materials.
- Energy Efficiency Class: A+ (at a range of energy efficiency classes from A+++ to D)
- Average Energy Consumption: 31.7 kWh/year
- Blower Efficiency Class: A*
- Lighting Efficiency Class: A
- Grease Filtering Efficiency Class: C
- Voltage: 220 - 240 V
- Power rating: 140 W
- Dimensions exhaust air (HxWxD): 753-996 x 590 x 433 mm
- Dimensions recirculating (HxWxD): 790-1083 x 590 x 433 mm
- Diameter pipe Ø 150 mm (Ø 150 mm enclosed)
- Electrical cable length 1.3 m
- with one-way flap

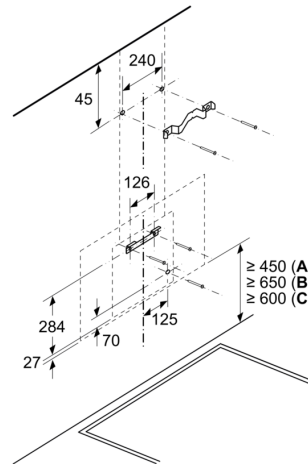
Series 4, wall-mounted cooker hood, 60 cm, clear glass black printed DWK67FN60

Measurements in mm



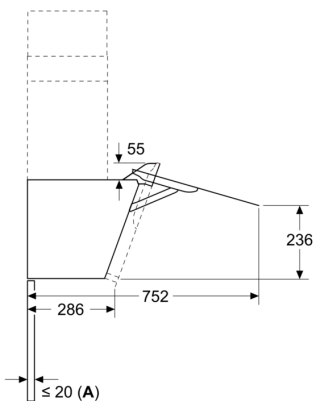
- A: Exhaust-air outlet
- B: Socket
- C: Electric
- D: Gas - from upper edge of pan support
- E: Electric - for Australia and New Zealand

Measurements in mm
Wall installation with chimney



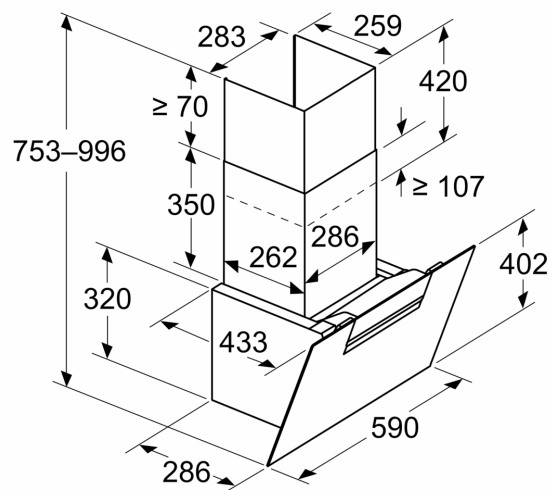
- A: Electric
- B: Gas - from upper edge of pan support
- C: Electric - for Australia and New Zealand

Measurements in mm

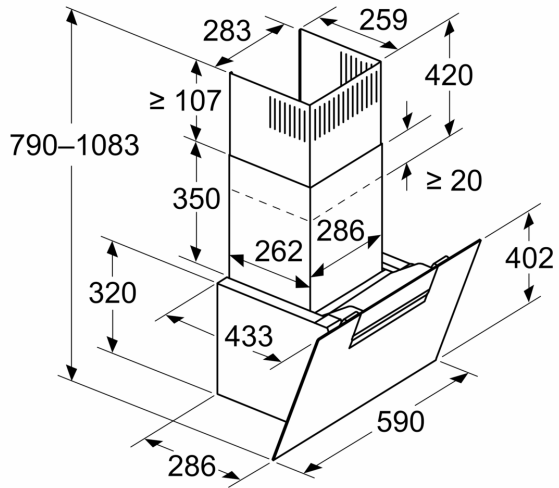


- A: Max. back wall thickness

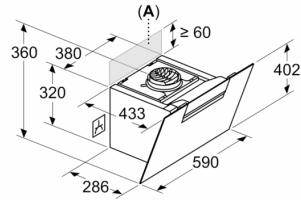
Measurements in mm
Appliance in exhaust air mode



Measurements in mm
Appliance in circulated air mode



Measurements in mm
Appliance in circulated air mode without duct



Socket can be fitted to the side of or above the appliance

A: Socket only outside the marked area