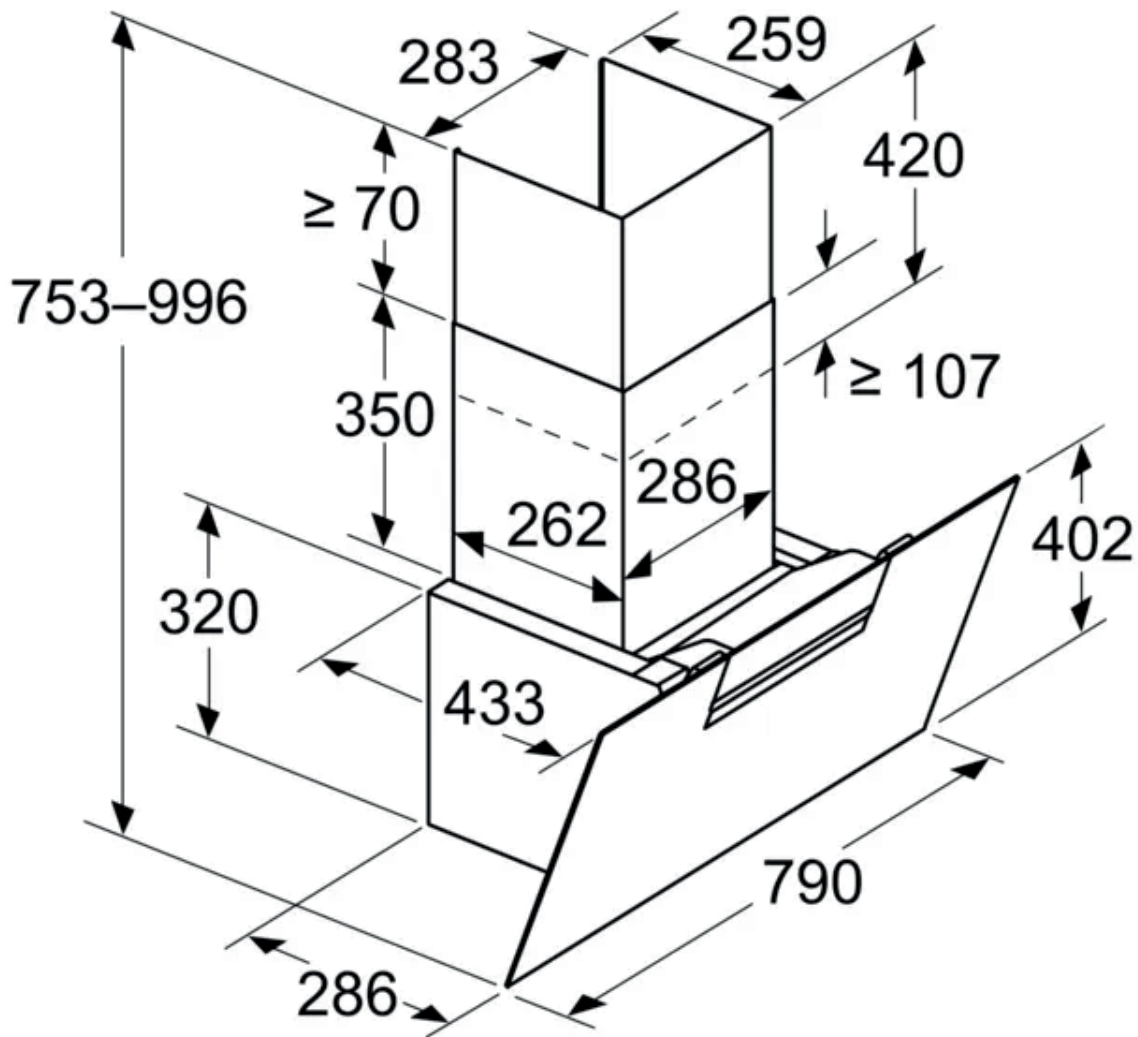
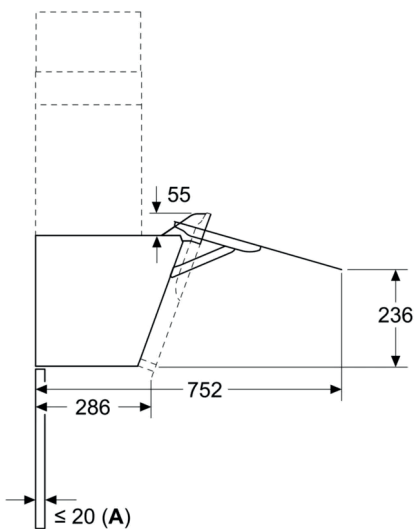


Measurements in mm

Appliance in exhaust air mode

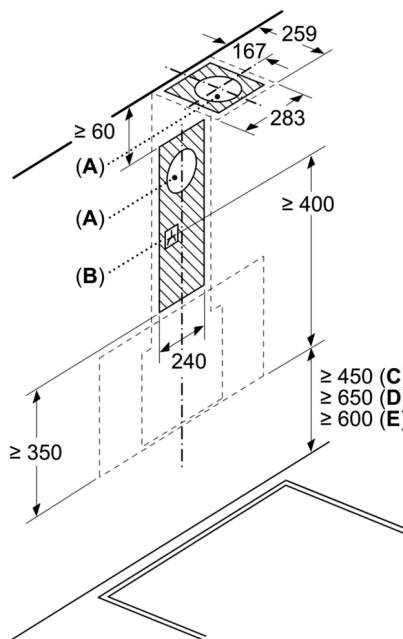


Measurements in mm



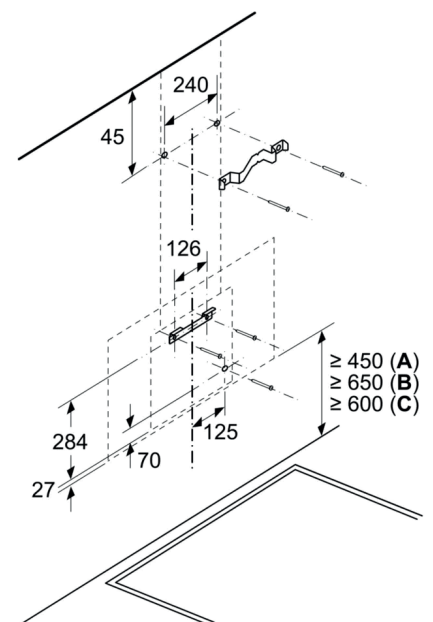
A: Max. back wall thickness

Measurements in mm



A: Exhaust-air outlet
 B: Socket
 C: Electric
 D: Gas - from upper edge of pan support
 E: Electric - for Australia and New Zealand

Measurements in mm
 Wall installation with chimney



A: Electric
 B: Gas - from upper edge of pan support
 C: Electric - for Australia and New Zealand