

**Series 4, washing machine,
frontloader fullsize, 9 kg, 1400 rpm
WAN28259GB**



WMZ2200 Floor securing component
 WMZ2381 Extension for cold water inlet /Aquastop
 WMZPW20W Platform with pull-out, washer, cubic

- **Active Water Plus:** For highly efficient use of water even with smaller loads thanks to automatic load detection.
- **SpeedPerfect:** perfectly clean in up to 65% less time.
- **Reload function:** forgot an item? Add it easily to the wash.
- **EcoSilence Drive™:** extremely energy-efficient and quiet in operation
- **Vario Drum:** gently and efficiently wash with even water distribution and without creasing garments.

Built-in / Free-standing: Free-standing
 Door hinge: Left
 Color / Material body: White
 Length electrical supply cord: 210.0 cm
 Height of the appliance: 845 mm
 Dimensions of the product: 845 x 598 x 590 mm
 Wheels: No
 Net weight: 70.3 kg
 Drum volume: 65 l
 Door Frame: Silver-white
 Connection rating: 2300 W
 Fuse protection: 10 A
 Voltage: 220-240 V
 Frequency: 50 Hz
 Energy Star Qualified: No
 Cord included: Yes
 Plug type: GB plug
 Length of supply hose (in): 59.05 "
 Dimensions of the packed product: 35.43 x 25.59 x 25.59
 Net weight: 155.000 lbs
 Gross weight: 157.000 lbs
 Length of drain hose: 150.00 cm
 Length of supply hose: 150.00 cm
 Dimensions of the packed product (HxWxD): 900 x 650 x 650 mm
 Gross weight: 71.3 kg
 Connection rating: 2300 W
 Fuse protection: 10 A
 Voltage: 220-240 V
 Frequency: 50 Hz
 Water protection system: Multiple water protection
 Maximum spin speed: 1400 rpm
 Spin speed options: Variable
 Digital countdown indicator: Yes
 Energy Efficiency Class (Regulation (EU) 2017/1369): A
 Weighted energy consumption in kWh per 100 washing cycles of eco 40-60 programme (EU 2017/1369): 49 kWh
 Maximum capacity in kg (EU 2017/1369): 9.0 kg
 The water consumption of the eco programme in liters per cycle (EU 2017/1369): 50 l
 Duration of eco 40-60 programme in hours and mins at rated capacity (EU 2017/1369): 3:48 h
 Spin-drying efficiency class of eco 40-60 programme (EU 2017/1369): B
 Airborne acoustical noise emission class (EU 2017/1369): A
 Airborne acoustical noise emissions (EU 2017/1369): 72 dB(A) re 1 pW



Series 4, washing machine, frontloader fullsize, 9 kg, 1400 rpm WAN28259GB

engine power and consumption

- Energy Efficiency Class¹: A
- Energy² / Water³: 49 kWh / 50 litres
- Load capacity: 1 - 9 kg
- Programme duration⁴: 3:48 h:min
- Spin drying efficiency class: B
- Spin power / spin speed^{**}: 0 - 1400 U/min
- Noise level: 72 dB (A) re 1 pW
- Noise efficiency class: A

Programmes

- standard programmes: cottons, easy care, delicate/silk, wool / hand wash
- Special programmes: Drum Clean (with reminder), Easy Ironing Steam Assisted, shirts/blouses, Hygiene, Jeans / Dark wash, outdoor, Spin / Drain, Family Mix, single rinse, Quick 15'/30', delicate/silk, wool / hand wash

options

- SpeedPerfect: perfectly clean in up to 65% less time. ***
- TouchControl buttons: end time delay, night wash, start/pause with reload function, Temperature, SpeedPerfect, Prewash, Spin speed selection/Rinse hold

comfort and safety

- Reload function: Be flexible in adding laundry items even after start of the wash cycle.
- Drum volume: 65 l
- Multiple water protection
- Fully electronic control dial for all wash- and special programs
- AntiVibration Design: more stability and quietness
- EcoSilence Drive: quiet motor with long lifetime
- 10 years guaranty on EcoSilence Drive
- ActiveWater Plus: for highly efficient use of water even with small loads thanks to automatic load detection.
- Foam detection system to remove excessive foam
- Unbalanced load detection
- buzzer at end of program
- Child-proof lock
- Divider for Liquid Detergent
- 32 cm porthole, silver-white with 171° opening door
- Metal door closing hook
- comfort lock

Technical Information

- Slide-under height of 85cm
- Dimensions (H x W): 84.5 cm x 59.8 cm
- Appliance depth: 59.0 cm
- Appliance depth incl. door: 63.3 cm
- Appliance depth with open door: 106.3 cm

¹ Scale of Energy Efficiency Classes from A to G

² Energy consumption in kWh per 100 cycles (in programme Eco 40-60)

³ Weighted water consumption in litres per cycle (in programme Eco

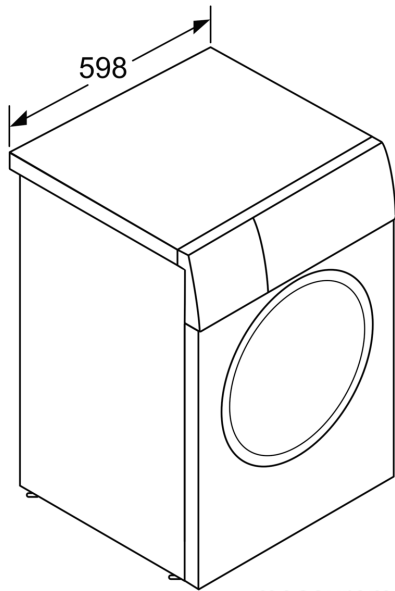
40-60)

⁴ Duration of programme Eco 40-60

^{**} Values are rounded.

^{***} Comparison between the program duration of Easy-care 40°C and the program duration of Easy-care 40°C + activated Speed option

**Series 4, washing machine,
frontloader fullsize, 9 kg, 1400 rpm
WAN28259GB**



measurements in mm



measurements in mm