

**Series 6, Canopy Extractor, 86 cm,
Stainless steel
DLN87AC50**



DHZ5316	Standard odor filter (replacement)
DHZ5605	Standard recirculation kit
DWZ0IT0P0	Long Life odor filter (replacement)
DWZ1IT1D1	Long Life recirculation kit external
DWZ1IX1B6	Clean Air Plus odor filter (replacement)
DWZ1IX1C6	Clean Air Plus recirc. kit external

The canopy cooker hood: offers you flexibility in your kitchen planning – mount it either flush in an cupboard on the wall or in an brick chimney above a kitchen island.

- **Seamless integration:** thanks to flush installation, the canopy hood is almost invisible in upper cabinets.
- **LED Illumination:** The energy-saving lighting provides a clear and bright illumination for the hob area.
- **Metal Grease Filter:** cleans the air, captures grease, easy monthly clean-up.
- **Push button control:** effortless hood operation with real push buttons.

Typology: Built-in/Built-under
 Length electrical supply cord: 150.0 cm
 Required niche size for installation (HxWxD): ... 345mm x 836.0mm x 264mm mm
 Height of the appliance: 345 mm
 Minimum distance above an electric hob: 500 mm
 Minimum distance above a gas hob: 650 mm
 Net weight: 12.9 kg
 Type of control: Electronic
 Number of speed settings: 3-stages + intensive setting
 Max. air extraction: 600 m³/h
 Boost position output recirculating: 700 m³/h
 Max. air recirculation: 580 m³/h
 Boost position air extraction: 745 m³/h
 Maximum Air flow: 600 m³/h
 Number of lights: 2
 Noise level: 61 dB(A) re 1pW
 Diameter of air outlet: 150 mm
 Grease filter material: Washable aluminium
 EAN code: 4242005475667
 Connection rating: 277 W
 Fuse protection: 3 A
 Voltage: 220-240 V
 Frequency: 50 Hz
 Plug type: Gardy plug w/ earthing
 Installation typology: Built-in



Series 6, Canopy Extractor, 86 cm, Stainless steel DLN87AC50

The canopy cooker hood: offers you flexibility in your kitchen planning – mount it either flush in an cupboard on the wall or in an brick chimney above a kitchen island.

Design:

- Canopy hood
- Flush-fitted installation for a seamless integration in wall cupboards.
- Suitable for ducted or recirculating operation
- For recirculated extraction, various recirculation kits are available as optional accessories.

Features:

- Colour Temperature: 4000 K
- Light Intensity: 350 lux
- Capacitor motor
- 2 metal grease filter(s).

Comfort Features:

- push button controls with Electronic display
- 3 speed + intensive operation
- Automatic reset from intensive to normal setting after 6 min

Cleaning Comfort:

- Removable metal grease filters, that are dishwasher safe
- Easy to clean smooth surfaces and materials.

Exhaust Performance:

- According to EN 61591 and EN/ IEC 60704-2-13 your appliance can achieve the following values in exhaust mode:
- Speed 1: extraction rate 285 m³/h; noise level 45 dB(A) re1pW
- Speed 2: extraction rate 410 m³/h; noise level 51 dB(A) re1pW
- Speed 3: extraction rate 600 m³/h; noise level 61 dB(A) re1pW
- Intensive Speed 1: extraction rate 745 m³/h; noise level 65 dB (A) re1pW

Recirculation Performance:

- According to EN 61591 and EN/ IEC 60704-2-13 your appliance can achieve the following values in recirculation mode with standard recirculation kit (available as optional accessory):
- Speed 1: extraction rate 200 m³/h; noise level 59 dB(A) re1pW
- Speed 2: extraction rate 370 m³/h; noise level 71 dB(A) re1pW
- Speed 3: extraction rate 440 m³/h ; noise level 73 dB(A) re1pW
- Intensive Speed 1: extraction rate 460 m³/h; noise level 74 dB (A) re1pW
- According to EN 61591 and EN/ IEC 60704-2-13 your appliance can achieve the following values in recirculation mode with Clean Air Plus recirculation kit, for chimless installation (available as optional accessory):
- Speed 1: extraction rate 270 m³/h ; noise level 51 dB(A) re1pW
- Speed 2: extraction rate 390 m³/h ; noise level 61 dB(A) re1pW
- Speed 3: extraction rate 580 m³/h ; noise level 69 dB(A) re1pW
- Intensive Speed 1: extraction rate 700 m³/h ; noise level 74 dB (A)

re1pW

Technical Information and Sustainability:

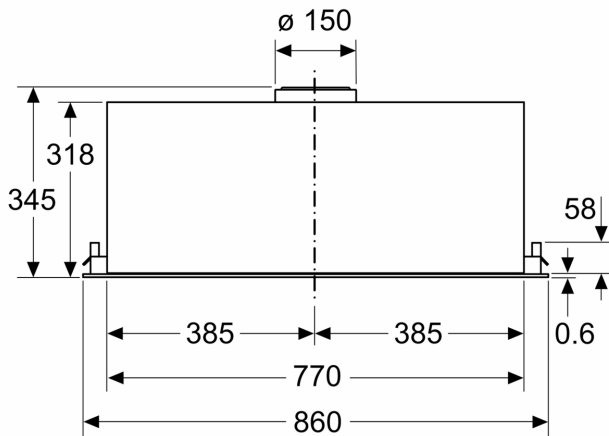
- Consumption data:
- Power rating: 277 W
- Voltage: 220 - 240 V
- Sustainability:
- Environmentally friendly packaging

Planning and Installation Information:

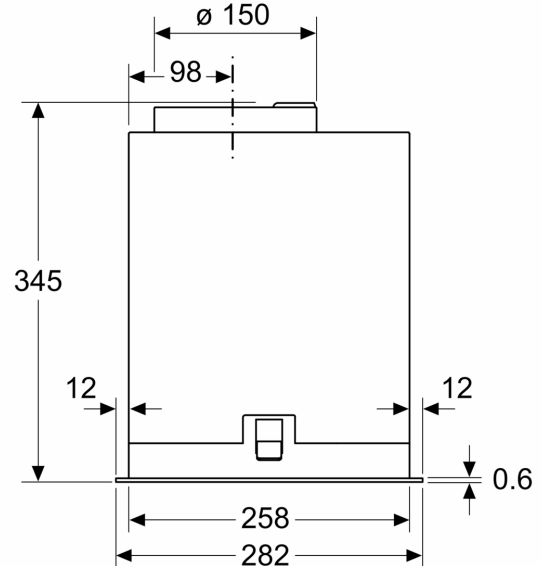
- Dimensions (HxWxD): 345 x 860 x 282 mm
- Dimensions recirculating (HxWxD): 345-345 x 860 x 282 mm
- built-in dimensions (HxWxD): 345 x 836 x 264 mm
- Please reference the built-in dimensions provided in the installation drawing
- Electrical cable length 1.5 m
- Diameter pipe Ø 150 mm

**Series 6, Canopy Extractor, 86 cm,
Stainless steel
DLN87AC50**

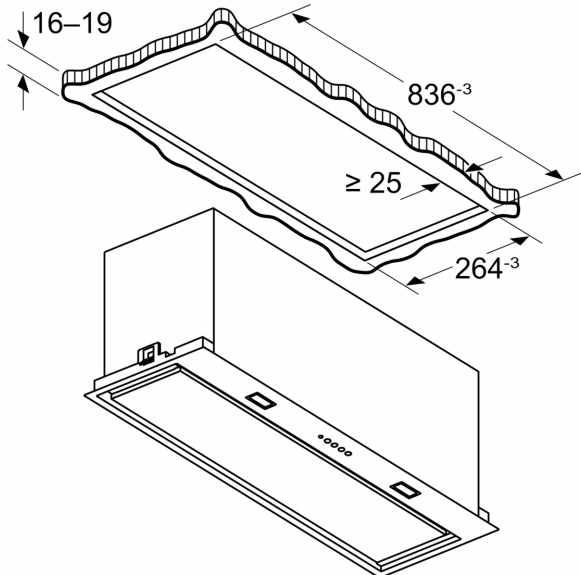
Measurements in mm



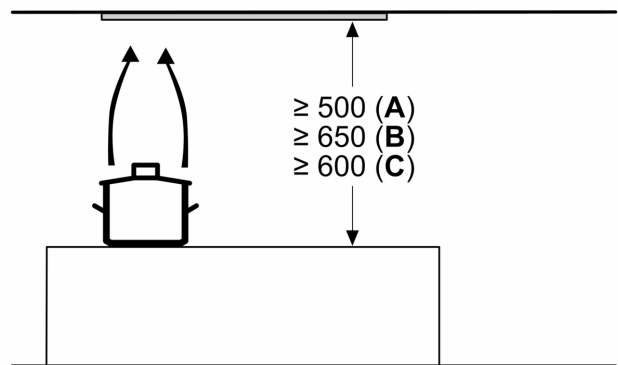
Measurements in mm



Measurements in mm



Measurements in mm



A: Electric

B: Gas - from upper edge of pan support

C: Electric - for Australia and New Zealand