

**Series 4, fully-integrated dishwasher,
60 cm, Variable hinge for special
installation situations
SMH4ECX28E**



**Energy label A dishwasher, thanks to our
Smart Energy Saving Solutions with no
constraining compromises to perfect
results.**

- **ExtraDry:** the extra option for stronger drying performance.
- **Hygiene level validated for Eco 50°C and higher levels with Intensive 70°C and Machine Care programmes**
- **Flex baskets:** flexible and practical solution for easy loading.
- **Silence Plus:** the remarkably quiet 42 dB dishwasher.
- **Home Connect:** home appliances with smart connectivity for an easier everyday life

- SGZ0BI01 decorative strips stainless steel 81,5cm
- SGZ0IC00 Small Item Clip for upper rack
- SGZ1010 inlet and outlet hose extention
- SGZ6BH00 Bottle Holder grey
- SGZ8BI00 Connection rail for divided furniture
- SMZ1051EU Mains cable with EU-Plug 5m
- SMZ2014 Rack insert for stemware dishwasher
- SMZ5000 Dishwashing aid set
- SMZ5035 Decor conversion kit, stainless steel
- SMZ5100 Vario-cutlery basket
- SMZ5300 GlassSecure Tray

Energy Efficiency Class (Regulation (EU) 2017/1369): A
Energy Consumption for 100 cycles Eco Programme: 54 kWh
Maximum number of place settings: 14
The water consumption of the eco programme in liters per cycle:	9.0 l
Programme duration: 4:30 h
Airborne acoustical noise emissions :42 dB(A) re 1pW
Airborne acoustical noise emission class:B
Cleaning performance:A
Water consumption:9.0 l
Total annual water consumption 220 days: 1980 l
Built-in / Free-standing: Built-in
Removable top: No
Door panel options: Not possible
Height of removable worktop: 0 mm
Height of the appliance:815 mm
Adjustable feet: Yes - all from front
Maximum adjustability feet: 60 mm
Adjustable plinth: Both horizontal and vertical
Net weight:36.4 kg
Gross weight: 38.5 kg
Connection rating: 2400 W
Fuse protection:10 A
Voltage: 220-240 V
Frequency: 50; 60 Hz
Length electrical supply cord: 175.0 cm
Plug type: Gardy plug w/ earthing
Length inlet hose: 165 cm
Length outlet hose: 190 cm
Hidden heating element: Yes
Water protection system description: Triple water protection 24h
Child safety devices: No
Water softener:Yes
Top basket type: Practical loading with Flex basket
Adjustable upper basket: Rackmatic 3-stage
Bottom basket type: R2
3rd Rack:3rd Rack 1.0
Optional accessories: ..	SGZ0BI01, SGZ0IC00, SGZ1010, SGZ6BH00, SGZ8BI00, SMZ1051EU, SMZ2014, SMZ5000, SMZ5035, SMZ5100, SMZ5300
Included accessories 2: Vapor barrier plate
Number of place settings: 14
Dimensions of the product (HxWxD):815 x 598 x 550 mm
Dimensions of the packed product (HxWxD): 880 x 660 x 670 mm



Series 4, fully-integrated dishwasher, 60 cm, Variable hinge for special installation situations SMH4ECX28E

Energy label A dishwasher, thanks to our Smart Energy Saving Solutions with no constraining compromises to perfect results.

BOSCH - Header 1

- Energy Efficiency Class¹: A
- Energy² / Water³: 54 kWh / 9 litres
- Capacity: 14 place settings
- Programme duration⁴: 4:30 (h:min)
- Noise level: 42 dB(A) re 1 pW
- Noise Efficiency Class: B
- Noise level (Silence 50°C programme): 41 dB(A) re 1 pW

BOSCH - Header 2

- 6 programmes: Eco 50 °C, Auto 45-65 °C, Intensive 70 °C, Express 60 °C, Silence 50 °C, Favourite (Pre-Rinse)
- Favourite function
- 4 special options: Remote Start, Extra Dry, Half Load, SpeedPerfect+
- Machine Care Programme
- Add-On functions via Home Connect app: Hygiene Plus, Silence on Demand (Quiet now)

BOSCH - Header 3

- EfficientDry and Heat exchanger
- AquaSensor
- DosageAssist
- EcoSilence Drive
- Detergent Automation
- Self-cleaning filter system with 3-fold corrugated filter
- Interior tub material: Stainless Steel

BOSCH - Header 4

- Flex Baskets
- VarioDrawer
- Rackmatic height-adjustable top basket (3 stage)
- Low friction wheels on bottom basket
- Rack Stopper to prevent derailing of bottom basket
- 2 foldable plate racks in top basket
- 2 foldable plate racks in bottom basket
- 2 cup shelves in top basket
- 2 cup shelves in bottom basket

BOSCH - Header 5

- Home Connect enabled via WLAN
- Controls on top edge of door
- Panel legend: Plain text (english)
- Status Light
- Remaining programme time indicator (min)
- Acoustic end of cycle indicator
- Electronic delay timer: 1-24 hours

BOSCH - Header 6

- AquaStop: Bosch warranty in case of water damage – for the lifetime of the appliance.*
- incl. VarioHinge
- Glass protection technology

BOSCH - Header 7

- incl. Salt filling funnel
- incl. Steam protection for worktop

BOSCH - Header 8

- Product dimensions (HxWxD): 81.5 x 59.8 x 55 cm

¹ Scale of Energy Efficiency Classes from A to G

² Energy consumption in kWh per 100 cycles (in programme Eco 50 °C)

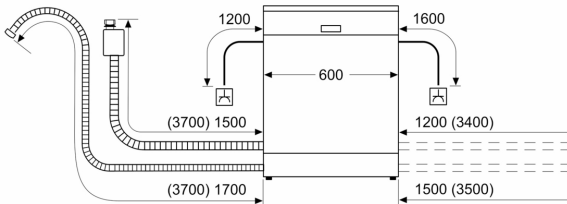
³ Water consumption in litres per cycle (in programme Eco 50 °C)

⁴ Duration of programme Eco 50 °C

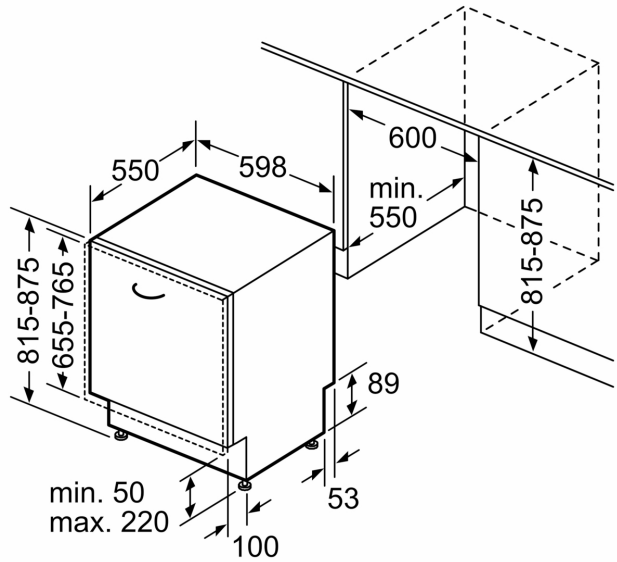
* Please find warranty terms under [please insert here the local URL (internet address, e.g. <https://www.bosch-home.com/> but with the direct page with the warranty terms)

**Series 4, fully-integrated dishwasher,
60 cm, Variable hinge for special
installation situations
SMH4ECX28E**

measurements in mm



⚡ socket
() values with extension kit



measurements in mm