

**Series 2, fully-integrated dishwasher,
60 cm
SMV25AX06E**



- SGZ0BI02 decorative strips stainless steel 81,5cm
- SGZ1010 inlet and outlet hose extention
- SGZ8BI00 Connection rail for divided furniture
- SMZ1051EU Mains cable with EU-Plug 5m
- SMZ2014 Rack insert for stemware dishwasher
- SMZ2056 Attachment door, stainless steel
- SMZ5000 Dishwashing aid set
- SMZ5002 Silver polishing cassette
- SMZ5003 Retractable hinge f. high corpus dimens.
- SMZ5300 GlassSecure Tray

Gentle - even to your ear. Our SilencePlus.

- **Height Adjustable Top Basket:** offers extra space, especially for tall dishes.
- **Info Light:** a red light on the floor indicates whether the dishwasher is switched on or off.
- **Silence Plus:** pleasantly quiet at 48 dB.
- **AquaStop:** the safety net against water damages. A warranty through the lifetime of the dishwasher.
- **EcoSilence Drive:** especially energy-saving and silent in operation with a particularly high life span.

Energy Efficiency Class (Regulation (EU) 2017/1369): E
 Energy Consumption for 100 cycles Eco Programme: 92 kWh
 Maximum number of place settings: 12
 The water consumption of the eco programme in liters per cycle: 9.5 l
 Programme duration: 3:30 h
 Airborne acoustical noise emissions :48 dB(A) re 1pW
 Airborne acoustical noise emission class:C
 Cleaning performance:A
 Water consumption:9.5 l
 Total annual water consumption 220 days:2090 l
 Built-in / Free-standing: Built-in
 Removable top: No
 Door panel options: Not possible
 Height of removable worktop: 0 mm
 Height of the appliance: 815 mm
 Adjustable feet: Yes - all from front
 Maximum adjustability feet: 60 mm
 Adjustable plinth: Both horizontal and vertical
 Net weight:32.9 kg
 Gross weight: 35.1 kg
 Connection rating: 2400 W
 Fuse protection:10 A
 Voltage: 220-240 V
 Frequency: 50; 60 Hz
 Length electrical supply cord: 175.0 cm
 Plug type: Gardy plug w/ earthing
 Length inlet hose: 165 cm
 Length outlet hose: 190 cm
 Hidden heating element: Yes
 Water protection system description: Triple water protection 24h
 Child safety devices: No
 Water softener:Yes
 Top basket type:low
 Adjustable upper basket: Single
 Bottom basket type: low
 3rd Rack: None
 Optional accessories: SGZ0BI02, SGZ1010, SGZ8BI00, SMZ1051EU, SMZ2014, SMZ2056, SMZ5000, SMZ5002, SMZ5003, SMZ5300
 Included accessories 2: Vapor barrier plate
 Number of place settings: 12
 Dimensions of the product (HxWxD):815 x 598 x 550 mm
 Dimensions of the packed product (HxWxD): 875 x 660 x 670 mm



Series 2, fully-integrated dishwasher, 60 cm SMV25AX06E

* Please find warranty terms under [please insert here the local URL (internet address, e.g. <https://www.bosch-home.com/> but with the direct page with the warranty terms)

Gentle - even to your ear. Our SilencePlus.

Connectivity / main data

- Energy Efficiency Class¹: E
- Energy² / Water³: 92 kWh / 9.5 litres
- Capacity: 12 place settings
- Programme duration⁴: 3:30 (h:min)
- Noise level: 48 dB(A) re 1 pW
- Noise Efficiency Class: C

Programs & Options

- 5 programmes: Intensive 70 °C, Auto 45-65 °C, Eco 50 °C, 1h 65 °C, Pre Rinse
- 1 special option: VarioSpeed Plus

BOSCH - Header 3

- Heat exchanger
- AquaSensor
- DosageAssist
- EcoSilence Drive
- Detergent Automation
- Self-cleaning filter system with 3-fold corrugated filter
- Interior tub material: Stainless Steel/Polinox

BOSCH - Header 4

- Vario basket system
- Height adjustable top basket
- Low friction wheels on bottom basket
- Rack Stopper to prevent derailing of bottom basket
- 2 foldable plate racks in bottom basket
- Cutlery basket in bottom basket

BOSCH - Header 5

- Controls on top edge of door
- Panel legend: Plain text (english)
- Info Light (red)
- LED programme status indicator
- Acoustic end of cycle indicator
- Electronic delay timer: 3, 6 or 9 hours

BOSCH - Header 6

- AquaStop: Bosch warranty in case of water damage – for the lifetime of the appliance.*
- Glass protection technology

BOSCH - Header 7

- incl. Steam protection for worktop

BOSCH - Header 8

- Product dimensions (HxWxD): 81.5 x 59.8 x 55 cm

¹ Scale of Energy Efficiency Classes from A to G

² Energy consumption in kWh per 100 cycles (in programme Eco 50 °C)

³ Water consumption in litres per cycle (in programme Eco 50 °C)

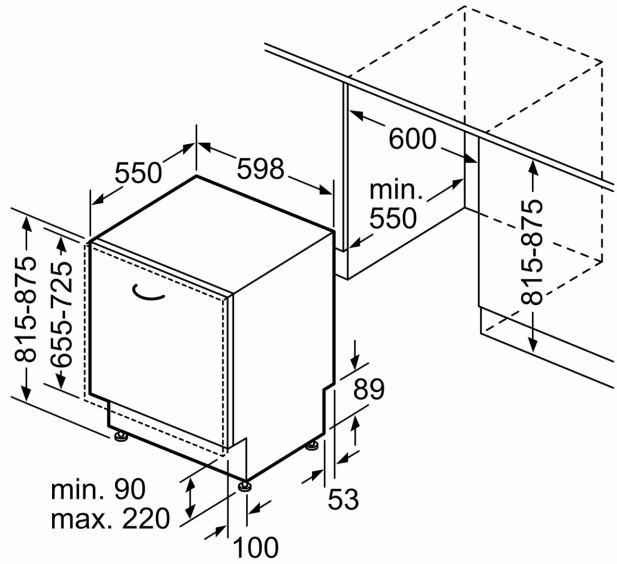
⁴ Duration of programme Eco 50 °C

**Series 2, fully-integrated dishwasher,
60 cm
SMV25AX06E**

measurements in mm



⌚ socket
() values with extension kit



measurements in mm