

**Series 6, free-standing fridge-freezer with freezer at bottom, 203 x 60 cm, Brushed steel (with anti-fingerprint), Total No Frost KGN39AIAU**



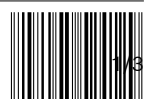
**Included accessories**  
1 x ice cube tray

**Energy Efficiency Class A fridge freezer, with VitaFresh XXL <0°C> and Total No Frost for efficient and perfect cooling results under any circumstances.**

- **Super silent:** Enjoy the calm and relaxing atmosphere at home.
- **Metal Backwall with Multi Airflow:** evenly circulates cool, fresh air to maintain consistent temperatures.
- **Energy Efficiency Class A:** reduce energy consumption and enjoy optimal cooling performance.
- **VitaFresh XXL <0°C>:** keeps food fresh for longer in extra-large climate-controlled fridge drawers.
- **Perfect Fit:** place your fridge right next to walls or in a niche.

**Technical Data**

Energy Efficiency Class (Regulation (EU) 2017/1369): A  
Average annual energy consumption in kilowatt hour per year (kWh/a): 112 kWh/annum  
Sum of volume of frozen compartments: 103 l  
Sum of volume of chill compartments: 260 l  
Airborne acoustical noise emissions : 29 dB(A) re 1pW  
Airborne acoustical noise emission class: A  
Built-in / Free-standing: Free-standing  
Number of compressors: 1  
Number of independent cooling systems: 2  
Width of the appliance: 600 mm  
Height: 2030 mm  
Depth of the product: 665 mm  
Net weight: 97.4 kg  
Door panel options: Not possible  
Door hinge: Right reversible  
Number of Adjustable Shelves in fridge compartment: 3  
Shelves for Bottles: Yes  
Frost free system: Fridge and freezer  
Interior ventilator: No  
Reversible Door Hinge: Yes  
Length electrical supply cord: 210.0 cm  
Noise level: 29 dB(A) re 1pW  
Multi-Flow Air Tower: Yes  
Fast cooling switch: Yes  
Fast freezing function: Yes  
Temperature Controlled Drawer: No  
Humidity Control Drawer: No  
Number of Door Bins - Refrigerator: 4  
Door bin adjustability - Refrigerator: Yes  
Tilt-out door bins in fridge: No  
Gallon wide door bins: Yes  
Number of Gallon storage: 1  
Motorized Shelf: No  
Material of the shelves: Safety glass  
Door opened indicator freezer: No  
Automatic motor-driven ice-maker: No  
Fuse protection: 10 A  
Voltage: 220-240 V  
Frequency: 50 Hz  
Storage Period in Event of Power Failure (h): 21 h  
Door panel options: Not possible  
Noise level: 29 dB(A) re 1pW  
ENERGY STAR® certified: No  
Plug type: Gardy plug w/ earthing  
Required cutout/niche size for installation (in): x  
Dimensions of the packed product: 82.48 x 25.98 x 30.70  
Net weight: 215.000 lbs  
Gross weight: 229.000 lbs



## **Series 6, free-standing fridge-freezer with freezer at bottom, 203 x 60 cm, Brushed steel (with anti-fingerprint), Total No Frost KGN39AIAU**

### **Energy Efficiency Class A fridge freezer, with VitaFresh XXL <0°C> and Total No Frost for efficient and perfect cooling results under any circumstances.**

- KGN39AIAU
- Total No Frost - never defrost again and no water on the fridge back wall, Bottom freezer
- Brushed steel anti-fingerprint Doors

#### **Performance and consumption**

- Energy Class: A
- Total Volume: 363 l
- Net Fridge Volume : 260 l
- Net Freezer Volume : 103 l
- Freezing capacity 24h: 10 kg
- Annual Energy Consumption: 112 kWh/a
- Climate Class: SN-T
- Fast Freeze Facility
- Noise Level : 29 dB , A Class
- Temperature rise time : 21 H
- Compressor TechnologCompressor: inverter compressor

#### **Design and Styling**

- Doors Brushed steel anti-fingerprint, side panels Pearl grey (VZF 07127)
- vertical handle
- LED with Soft Start in fridge section

#### **Convenience & Safety**

- Connectivity: No
- Total No Frost - never defrost again and no water on the fridge back wall
- Metal backwall with MultiAirflow
- Separate, electronic temperature control, LED indicators
- Two Cooling Systems
- Super Cooling: automatic deactivation
- Super Freezing: Manual/automatic activation
- Optical and acoustic door open warning system
- Visual and acoustic warning system in case of malfunction of the freezer compartment

#### **Fridge Compartment**

- Multi Airflow-System
- 5 safety glass shelves, thereof 3 height adjustable, Flex Shelf
  - dividable and foldable glass shelf
- Bottle storage: Bottle grid
- 1 foldable garage plate1 PC
- 1 door bin(s) high, 3 door bin(s) small
- Flex Shelf - dividable and foldable glass shelf
- 5 PC safety glass shelves of which 3 are height adjustable

#### **Freshness System**

- 1 VitaFresh #0°C# drawer - Fish and meat stay fresh for longer
- 1 VitaFresh drawer with humidity control - Fruits and vegetables retain vitamins and stay fresh for longer.

#### **Freezer**

- Freezer Capacity: 103 l
- 3 transparent freezer drawers

#### **Dimensions**

- Appliance Dimensions ( H x W x D): 203 cm x 60 cm x 66.5 cm

#### **Technical Information**

- Door right hinged, reversible
- Height adjustable front feet
- Nominal voltage: 220 - 240 V
- Length of power cord: 210 cm

#### **Accessories**

- ice cube tray
- ice cube tray

#### **Country Specific Options**

- Based on the results of the standard 24-hour test. Actual consumption depends on usage/position of the appliance.

#### **Environment and Safety**

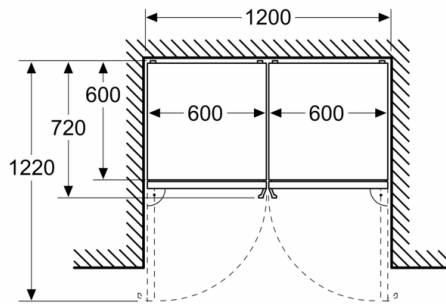
#### **Installation**

#### **General Information**

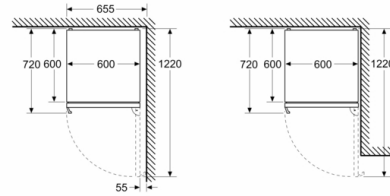
- Freshness

**Series 6, free-standing fridge-freezer with freezer at bottom, 203 x 60 cm, Brushed steel (with anti-fingerprint), Total No Frost KGN39AIAU**

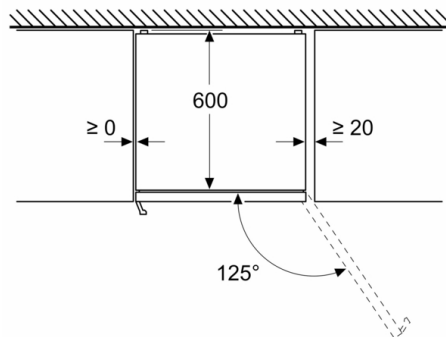
Measurements in mm



Measurements in mm



Measurements in mm



Measurements in mm

