

Series 4, free-standing fridge-freezer with freezer at bottom, 203 x 70 cm, Brushed steel (with anti-fingerprint), Total No Frost KGN492IAF



Included accessories

1 x ice cube tray

The Total No Frost bottom freezer with VitaFresh and XXL capacity: Keeps your fresh foods fresh for longer

- **Energy Efficiency Class A:** reduce energy consumption and enjoy optimal cooling performance.
- **Glossy Backwall with Multi Airflow:** evenly circulates fresh air to maintain consistent temperatures.
- **Perfect Fit:** place your fridge right next to walls or in a niche.
- **VitaFresh XXL <0°C>:** keeps food fresh for longer in extra-large climate-controlled fridge drawers.
- **LED lighting:** keep your groceries in perfect view.

Technical Data

Energy Efficiency Class (Regulation (EU) 2017/1369): A
 Average annual energy consumption in kilowatt hour per year (kWh/a): 122 kWh/annum
 Sum of volume of frozen compartments: 129 l
 Sum of volume of chill compartments: 311 l
 Airborne acoustical noise emissions : 29 dB(A) re 1pW
 Airborne acoustical noise emission class: A
 Built-in / Free-standing: Free-standing
 Number of compressors: 1
 Number of independent cooling systems: 2
 Width of the appliance: 700 mm
 Height: 2030 mm
 Depth of the product: 667 mm
 Net weight: 78.4 kg
 Door panel options: Not possible
 Door hinge: Right reversible
 Number of Adjustable Shelves in fridge compartment: 3
 Shelves for Bottles: Yes
 Frost free system: Fridge and freezer
 Interior ventilator: No
 Reversible Door Hinge: Yes
 Length electrical supply cord: 231.0 cm
 Noise level: 35 dB(A) re 1pW
 Multi-Flow Air Tower: Yes
 Fast cooling switch: Yes
 Fast freezing function: Yes
 Temperature Controlled Drawer: No
 Humidity Control Drawer: No
 Number of Door Bins - Refrigerator: 4
 Door bin adjustability - Refrigerator: Yes
 Tilt-out door bins in fridge: No
 Gallon wide door bins: Yes
 Number of Gallon storage: 1
 Motorized Shelf: No
 Material of the shelves: Safety glass
 Door opened indicator freezer: No
 Automatic motor-driven ice-maker: No
 Fuse protection: 10 A
 Voltage: 220-240 V
 Frequency: 50 Hz
 Storage Period in Event of Power Failure (h): 24 h
 Door panel options: Not possible
 Noise level: 35 dB(A) re 1pW
 ENERGY STAR® certified: No
 Plug type: Gardy plug w/ earthing
 Required cutout/niche size for installation (in): x
 Dimensions of the packed product: 82.48 x 29.92 x 30.70
 Net weight: 173.000 lbs
 Gross weight: 188.000 lbs

Series 4, free-standing fridge-freezer with freezer at bottom, 203 x 70 cm, Brushed steel (with anti-fingerprint), Total No Frost KGN492IAF

The Total No Frost bottom freezer with VitaFresh and XXL capacity: Keeps your fresh foods fresh for longer

- Total No Frost - never defrost again and no water on the fridge back wall, Bottom freezer
- Brushed steel anti-fingerprint Doors

Performance and consumption

- Energy Class: A
- Total Volume: 440 l
- Annual Energy Consumption: 122 kWh/a
- Noise Level : 29 dB , A Class

Design and Styling

- Doors Brushed steel anti-fingerprint, side panels Pearl grey (VZF 07127)
- White glossy backwall with Multi-Airflow
- Integrated vertical handle
- LED with Soft Start in fridge section

Convenience & Safety

- Total No Frost - never defrost again and no water on the fridge back wall
- Separate, electronic temperature control, LED indicators
- Two Cooling Systems
- Super Cooling: automatic deactivation
- Optical and acoustic door open warning system
- Visual and acoustic warning system in case of malfunction of the freezer compartment
- Super Freezing: Manual/automatic activation

Fridge Compartment

- Net Fridge Volume : 311 l
- Multi Airflow-System
- 5 PC safety glass shelves of which 3 are height adjustable
- Bottle storage: Bottle grid
- 1 door bin(s) high, 3 door bin(s) small

Freshness System

- 1 VitaFresh #0°C# drawer - Fish and meat stay fresh for longer
- 1 VitaFresh drawer with humidity control - Fruits and vegetables retain vitamins and stay fresh for longer.

Freezer

- Net Freezer Volume : 129 l
- Freezing capacity 24h: 11.5 kg
- Temperature rise time : 24 H
- Fast Freeze Facility
- 3 transparent freezer drawers

Dimensions

- Appliance Dimensions (H x W x D): 203 cm x 70 cm x 66.7 cm

Technical Information

- Door right hinged, reversible
- Height adjustable front feet
- Length of power cord: 231 cm
- Nominal voltage: 220 - 240 V
- Climate Class: SN-T

Accessories

- ice cube tray
- ice cube tray

Country Specific Options

- Based on the results of the standard 24-hour test. Actual consumption depends on usage/position of the appliance.

Environment and Safety

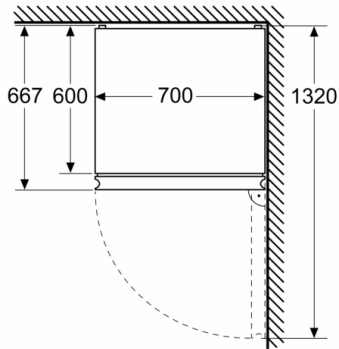
Installation

General Information

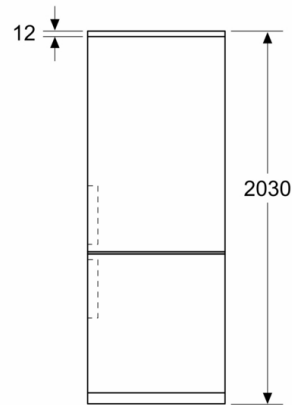
- Freshness

Series 4, free-standing fridge-freezer with freezer at bottom, 203 x 70 cm, Brushed steel (with anti-fingerprint), Total No Frost KGN492IAF

Measurements in mm



Measurements in mm



Measurements in mm

