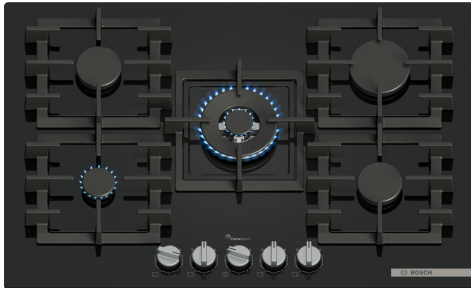


**Series 6, Gas hob, 75 cm, Tempered glass, Black
PPQ7A6I40**



- HEZ298105 Simmer plate
- HEZ298107 Wok ring
- HEZ298114 Small pot support
- HEZ32WA00 Wireless food thermometer
- HEZ9SE040 4 pieces Set
- HEZ9SE060 6 pieces Set

The gas hob with precise flame control and easy cleaning thanks to detachable metallic knobs and dishwasher suitable cast iron pan supports.

- **FlameSelect:** adjust the gas flame precisely using nine defined levels.
- **Easy cleaning:** detachable knobs and dishwasher-suitable pan supports make cleaning a breeze.
- **Dishwasher-suitable pan supports:** make cleaning your hob even easier.
- **Semi-continuous pan supports:** smaller for easy cleaning, yet providing a seamless cooking surface.
- **Safety gas cut-off:** ensures safety by instantly cutting off gas supply if the flame goes out.

Product name/family:gas hob w integrated controls
 Built-in / Free-standing: Built-in
 Energy input:Gas
 Total number of positions that can be used at the same time: 5
 Required niche size for installation (HxWxD): 45 x 560-562 x 480-492 mm
 Width of the appliance: 752 mm
 Dimensions: 54x752x520 mm
 Dimensions of the packed product (HxWxD): 145 x 793 x 597 mm
 Net weight: 19.2 kg
 Gross weight: 21.8 kg
 Residual heat indicator:No
 Location of control panel: Front
 Basic surface material: Tempered glass
 Color of surface:Black
 Color of frame: Black
 Length electrical supply cord: 100.0 cm
 Knob Material:Full metal
 Sealed Burners: No
 Power of heating element (kW): 1 kW
 Power of 3rd heating element (kW): 1.75 kW
 Power of 5th heating element (kW): 3 kW
 Connection rating: 1 W
 Gas connection rating: 11500 W
 Fuse protection:3 A
 Voltage: 220-240 V
 Frequency: 50; 60 Hz
 Energy input:Gas
 Gas type: Nat gas H/E(L) 20 (25) mbar
 Alternative gas type:Liquid gas G30,31 28-30/37mbar
 Plug type:No plug (electrical connection by electrician)
 Appliance Dimensions (h x w x d) (in): x x
 Dimensions of the packed product: 5.70 x 23.50 x 31.22
 Net weight:42.000 lbs
 Gross weight: 48.000 lbs
 Total number of positions that can be used at the same time: 5
 Length electrical supply cord: 100.0 cm
 Required niche size for installation (HxWxD): 45 x 560-562 x 480-492 mm
 Dimensions: 54x752x520 mm
 Dimensions of the packed product (HxWxD): 145 x 793 x 597 mm
 Net weight: 19.2 kg
 Gross weight: 21.8 kg



4 242005 437832

Series 6, Gas hob, 75 cm, Tempered glass, Black PPQ7A6I40

The gas hob with precise flame control and easy cleaning thanks to detachable metallic knobs and dishwasher suitable cast iron pan supports.

Design

- Tempered glass hob surface, black
- Two built-in options: install the hob either flush or slightly raised on the worktop
- Semi-continuous cast iron pan supports
- Metal knobs

Usage convenience

- FlameSelect: precisely adjust the flame in nine defined and repeatable levels.
- Sword knobs, front: easily access knobs in front with strong grip for effortless turning.
- Automatic ignition: just push and turn the knob to ignite the flame.

Burners and power

- 5 Gas burners
- Left front: Economy burner up to 1 KW (depending on gas type)
- Left rear: Standard burner up to 1.75 KW (depending on gas type)
- Center front: Wok burner up to 4 KW (depending on gas type)
- Right rear: Rapid burner up to 3 KW (depending on gas type)
- Right front: Standard burner up to 1.75 KW (depending on gas type)

Cleaning

- Removable knobs for easy cleaning between knobs.
- Dishwasher suitable pan supports for easy cleaning.
- Semi-continuous cast iron pan supports: little weight and compact form, yet high stability due to continuous surface.

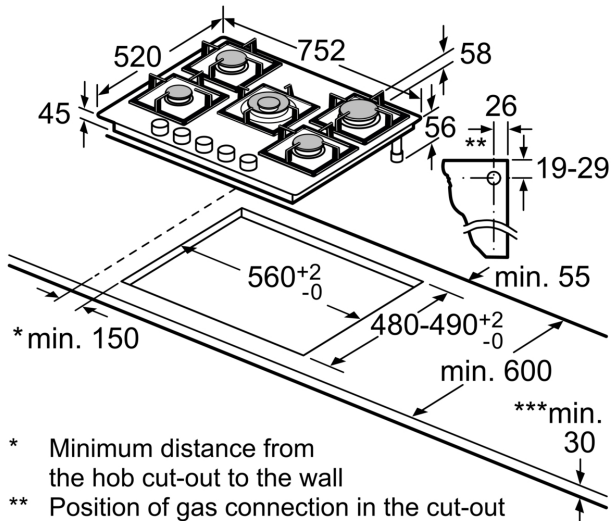
Safety

- Safety gas cut-off: prevents unwanted gas flow when flame goes out.

Installation (gas types & measurements)

- Usable for: NG H/E 20mbar, E+ 20/25mbar
- Preset for natural gas (20mbar)
- Nozzle set for Liquid gas nozzles (28-30/37mbar) included. Nozzles for all other gas types can be ordered via the customer service. For nozzle change, please contact the customer service.
- Dimensions of the product (HxWxD mm): 54 x 752 x 520
- Required niche size for installation (HxWxD mm) : 45 x 560 x (480 - 492)
- Min. worktop thickness: 30 mm
- If installed flush, minimum worktop thickness is 30mm.
- Power cord: 1 m
- Connected load: 11.5 KW

**Series 6, Gas hob, 75 cm, Tempered glass, Black
PPQ7A6I40**



- * Minimum distance from the hob cut-out to the wall
 - ** Position of gas connection in the cut-out
 - *** With fitted oven underneath, possibly more; see space requirements for the oven
- measurements in mm