

**Series 8, 30 cm, Ceramic, Black  
PRA3A6I10**



**Optional accessories**

- HEZ233720 : WOK ring
- HEZ298105 : Simmer plate
- HEZ298114 : Small pot support
- HEZ32WA00 : Wireless food thermometer
- HEZ9SE040 : 4 pieces Set
- HEZ9SE060 : 6 pieces Set

**The gas hob with precise flame control and easy cleaning thanks to detachable metallic knobs and dishwasher suitable cast-iron pan supports.**

- **FlameSelect:** adjust the gas flame precisely using nine defined levels.
- **Easy cleaning:** detachable knobs and dishwasher-suitable pan supports make cleaning a breeze.
- **Dishwasher-suitable pan supports:** make cleaning your hob even easier.
- **Single cast-iron pan supports:** for high firmness and easy handling.
- **Safety gas cut-off:** ensures safety by instantly cutting off gas supply if the flame goes out.

**Technical Data**

Product name/family : Vario/Domino gas hob w control  
 Built-in / Free-standing : Built-in  
 Energy input : Gas  
 Total number of positions that can be used at the same time : 1  
 Required niche size for installation (HxWxD) : 45 x 270-272 x 490-502 mm  
 Width of the appliance : 306 mm  
 Dimensions : 57x306x527 mm  
 Dimensions of the packed product (HxWxD) : 185 x 385 x 578 mm  
 Net weight : 7.0 kg  
 Gross weight : 8.2 kg  
 Residual heat indicator : Without  
 Location of control panel : Front  
 Basic surface material : Ceramic  
 Color of surface : Alu, brushed, Black  
 Color of frame : Black  
 Length electrical supply cord : 100.0 cm  
 Knob Material : Full metal  
 Sealed Burners : No  
 Type of pan support : Elongated cast iron pan support  
 Connection Rating : 1 W  
 Gas connection rating : 6000 W  
 Fuse protection : 3 A  
 Voltage : 220-240 V  
 Frequency : 50; 60 Hz  
 Energy input : Gas  
 Gas type : Nat gas H/E/(L) 20 (25) mbar  
 Alternative gas type : Liquid gas G30,31 28-30/37mbar  
 Plug type : No plug (electrical connection by electrician)  
 Appliance Dimensions (h x w x d) (in) : x x  
 Dimensions of the packed product : 7.28 x 22.75 x 15.15  
 Net weight : 15.000 lbs  
 Gross weight : 18.000 lbs



## Series 8, 30 cm, Ceramic, Black PRA3A6I10

**The gas hob with precise flame control and easy cleaning thanks to detachable metallic knobs and dishwasher suitable cast-iron pan supports.**

---

### **Design**

- ceramic glass surface, black
- Facette front, rear and side profiles, aluminum
- Cast iron single pan supports
- Metal knobs
- Flat burner design: elegant burner design with less pieces

### **Usage convenience**

- FlameSelect: precisely adjust the flame in nine defined and repeatable levels.
- Sword knobs, front: easily access knobs in front with strong grip for effortless turning.
- Automatic ignition: just push and turn the knob to ignite the flame.

### **Burners and power**

- 1 Gas burner
- Including Dual wok burner: use an extra wide power range, separately controlling two flame rings.
- Center front: Wok burner up to 6 KW (depending on gas type)

### **Cleaning**

- Removable knobs for easy cleaning between knobs.
- Dishwasher suitable pan supports for easy cleaning.

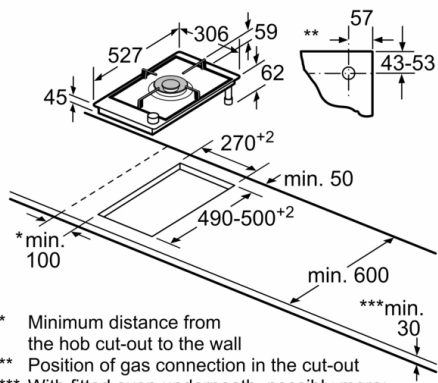
### **Safety**

- Safety gas cut-off: prevents unwanted gas flow when flame goes out.

### **Installation (gas types & measurements)**

- Usable for: NG H/E 20mbar, E+ 20/25mbar
- Preset for natural gas (20mbar)
- Nozzle set for Liquid gas nozzles (28-30/37mbar) included. Nozzles for all other gas types can be ordered via the customer service. For nozzle change, please contact the customer service.
- Dimensions of the product (HxWxD mm): 57 x 306 x 527
- Required niche size for installation (HxWxD mm) : 45 x 270 x (490 - 502)
- Min. worktop thickness: 30 mm
- Power cord: 1 m
- Connected load: 6 KW

**Series 8, 30 cm, Ceramic, Black  
PRA3A6I10**



- \* Minimum distance from the hob cut-out to the wall
- \*\* Position of gas connection in the cut-out
- \*\*\* With fitted oven underneath, possibly more; see space requirements for the oven

measurements in mm