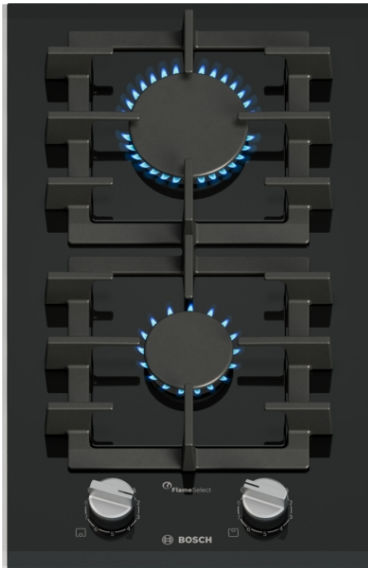


Series 8, 30 cm, Ceramic, Black PRB3A6I40



Optional accessories

HEZ298105 : Simmer plate

HEZ298114 : Small pot support

HEZ32WA00 : Wireless food thermometer

HEZ9SE040 : 4 pieces Set

HEZ9SE060 : 6 pieces Set

The gas hob with precise flame control and easy cleaning thanks to detachable metallic knobs and dishwasher suitable cast-iron pan supports.

- **FlameSelect:** adjust the gas flame precisely using nine defined levels.
- **Easy cleaning:** detachable knobs and dishwasher-suitable pan supports make cleaning a breeze.
- **Dishwasher-suitable pan supports:** make cleaning your hob even easier.
- **Semi-continuous pan supports:** smaller for easy cleaning, yet providing a seamless cooking surface.
- **Safety gas cut-off:** ensures safety by instantly cutting off gas supply if the flame goes out.

Technical Data

Product name/family : Vario/Domino gas hob w control

Built-in / Free-standing : Built-in

Energy input : Gas

Total number of positions that can be used at the same time :
2

Required niche size for installation (HxWxD) : 45 x 270-272 x
490-502 mm

Width of the appliance : 306 mm

Dimensions : 49x306x527 mm

Dimensions of the packed product (HxWxD) : 163 x 361 x 578
mm

Net weight : 7.5 kg

Gross weight : 8.5 kg

Residual heat indicator : Without

Location of control panel : Front

Basic surface material : Ceramic

Color of surface : Alu, brushed, Black

Color of frame : Black

Length electrical supply cord : 100.0 cm

Knob Material : Full metal

Sealed Burners : No

Connection Rating : 1 W

Gas connection rating : 4750 W

Fuse protection : 3 A

Voltage : 220-240 V

Frequency : 50; 60 Hz

Energy input : Gas

Gas type : Nat gas H/E/(L) 20 (25) mbar

Alternative gas type : Liquid gas G30,31 28-30/37mbar

Plug type : No plug (electrical connection by electrician)

Appliance Dimensions (h x w x d) (in) : x x

Dimensions of the packed product : 6.41 x 22.75 x 14.21

Net weight : 17.000 lbs

Gross weight : 19.000 lbs



Series 8, 30 cm, Ceramic, Black PRB3A6I40

The gas hob with precise flame control and easy cleaning thanks to detachable metallic knobs and dishwasher suitable cast-iron pan supports.

Design

- ceramic glass surface, black
- Facette front, rear and side profiles, aluminum
- Semi-continuous cast iron pan supports
- Metal knobs

Usage convenience

- FlameSelect: precisely adjust the flame in nine defined and repeatable levels.
- Sword knobs, front: easily access knobs in front with strong grip for effortless turning.
- Automatic ignition: just push and turn the knob to ignite the flame.

Burners and power

- 2 Gas burners
- Center front: Standard burner up to 1.75 KW (depending on gas type)
- Center rear: Rapid burner up to 3 KW (depending on gas type)

Cleaning

- Removable knobs for easy cleaning between knobs.
- Dishwasher suitable pan supports for easy cleaning.
- Semi-continuous cast iron pan supports: little weight and compact form, yet high stability due to continuous surface.

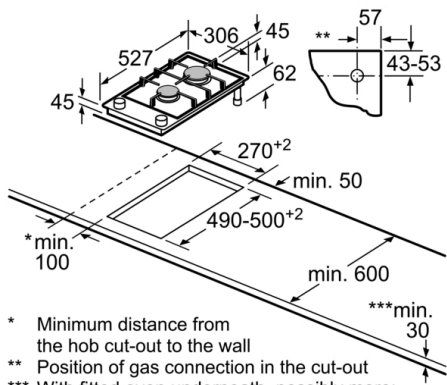
Safety

- Safety gas cut-off: prevents unwanted gas flow when flame goes out.

Installation (gas types & measurements)

- Usable for: NG H/E 20mbar, E+ 20/25mbar
- Preset for natural gas (20mbar)
- Nozzle set for Liquid gas nozzles (28-30/37mbar) included. Nozzles for all other gas types can be ordered via the customer service. For nozzle change, please contact the customer service.
- Dimensions of the product (HxWxD mm): 49 x 306 x 527
- Required niche size for installation (HxWxD mm) : 45 x 270 x (490 - 502)
- Min. worktop thickness: 30 mm
- Power cord: 1 m
- Connected load: 4.75 KW

**Series 8, 30 cm, Ceramic, Black
PRB3A6I40**



- * Minimum distance from the hob cut-out to the wall
- ** Position of gas connection in the cut-out
- *** With fitted oven underneath, possibly more; see space requirements for the oven

measurements in mm