

**Series 4, fully-integrated dishwasher,
60 cm, Variable hinge for special
installation situations
SMH4EVX08E**



**Better drying performance even for
kitchens with low plinth heights and high
built in.**

- **Efficient Dry:** top-rated drying performance by automatic door opening.
- **Hygiene level validated for Eco 50°C and higher levels with Intensive 70°C and Machine Care programmes**
- **VarioFlex-baskets and VarioDrawer:** enhanced re-adjusting options with more space on all levels.
- **Silence Plus:** the remarkably quiet 44 dB dishwasher.
- **Home Connect:** home appliances with smart connectivity for an easier everyday life

- SGZ0BI02 decorative strips stainless steel 81,5cm
- SGZ0IC00 Small Item Clip for upper rack
- SGZ1010 inlet and outlet hose extention
- SGZ8BI00 Connection rail for divided furniture
- SMZ1051EU Mains cable with EU-Plug 5m
- SMZ2014 Rack insert for stemware dishwasher
- SMZ5000 Dishwashing aid set
- SMZ5100 Vario-cutlery basket
- SMZ5300 GlassSecure Tray

Energy Efficiency Class (Regulation (EU) 2017/1369): B
 Energy Consumption for 100 cycles Eco Programme: 65 kWh
 Maximum number of place settings: 14
 The water consumption of the eco programme in liters per cycle: 9.0 l
 Programme duration: 3:55 h
 Airborne acoustical noise emissions : 44 dB(A) re 1pW
 Airborne acoustical noise emission class: B
 Cleaning performance: A
 Water consumption: 9.0 l
 Total annual water consumption 220 days: 1980 l
 Built-in / Free-standing: Built-in
 Removable top: No
 Door panel options: Not possible
 Height of removable worktop: 0 mm
 Height of the appliance: 815 mm
 Adjustable feet: Yes - all from front
 Maximum adjustability feet: 60 mm
 Adjustable plinth: Both horizontal and vertical
 Net weight: 35.2 kg
 Gross weight: 37.4 kg
 Connection rating: 2400 W
 Fuse protection: 10 A
 Voltage: 220-240 V
 Frequency: 50; 60 Hz
 Length electrical supply cord: 175.0 cm
 Plug type: GARDY plug w/ earthing
 Length inlet hose: 165 cm
 Length outlet hose: 190 cm
 Hidden heating element: Yes
 Water protection system description: Triple water protection 24h
 Child safety devices: No
 Water softener: Yes
 Top basket type: High flexibility with Vario Flex basket
 Adjustable upper basket: Rackmatic 3-stage
 Bottom basket type: mid
 3rd Rack: 3rd Rack 1.0
 Optional accessories: SGZ0BI02, SGZ0IC00, SGZ1010, SGZ8BI00, SMZ1051EU, SMZ2014, SMZ5000, SMZ5100, SMZ5300
 Included accessories 2: Vapor barrier plate
 Number of place settings: 14
 Dimensions of the product (HxWxD): 815 x 598 x 550 mm
 Dimensions of the packed product (HxWxD): 880 x 660 x 670 mm



Series 4, fully-integrated dishwasher, 60 cm, Variable hinge for special installation situations SMH4EVX08E

Better drying performance even for kitchens with low plinth heights and high built in.

BOSCH - Header 1

- Energy Efficiency Class¹: B
- Energy² / Water³: 65 kWh / 9 litres
- Capacity: 14 place settings
- Programme duration⁴: 3:55 (h:min)
- Noise level: 44 dB(A) re 1 pW
- Noise Efficiency Class: B
- Noise level (Silence 50°C programme): 43 dB(A) re 1 pW

BOSCH - Header 2

- 6 programmes: Eco 50 °C, Auto 45-65 °C, Intensive 70 °C, Express 65 °C, Silence 50 °C, Favourite (Pre-Rinse)
- Favourite function
- 4 special options: Remote Start, Efficient Dry, Half Load, SpeedPerfect+
- Machine Care Programme
- Add-On functions via Home Connect app: Hygiene Plus, Silence on Demand (Quiet now)

BOSCH - Header 3

- EfficientDry and Heat exchanger
- AquaSensor
- DosageAssist
- EcoSilence Drive
- Detergent Automation
- Self-cleaning filter system with 3-fold corrugated filter
- Interior tub material: Stainless Steel/Polinox

BOSCH - Header 4

- VarioFlex basket system
- VarioDrawer
- Rackmatic height-adjustable top basket (3 stage)
- Low friction wheels on bottom basket
- Rack Stopper to prevent derailing of bottom basket
- 2 foldable plate racks in top basket
- 4 foldable plate racks in bottom basket
- 2 cup shelves in top basket

BOSCH - Header 5

- Home Connect enabled via WLAN
- Controls on top edge of door
- Panel legend: Plain text (english)
- Info Light (red)
- Remaining programme time indicator (min)
- Acoustic end of cycle indicator
- Electronic delay timer: 1-24 hours

BOSCH - Header 6

- AquaStop: Bosch warranty in case of water damage – for the

lifetime of the appliance.*

- incl. VarioHinge
- Glass protection technology

BOSCH - Header 7

- incl. Steam protection for worktop

BOSCH - Header 8

- Product dimensions (HxWxD): 81.5 x 59.8 x 55 cm

¹ Scale of Energy Efficiency Classes from A to G

² Energy consumption in kWh per 100 cycles (in programme Eco 50 °C)

³ Water consumption in litres per cycle (in programme Eco 50 °C)

⁴ Duration of programme Eco 50 °C

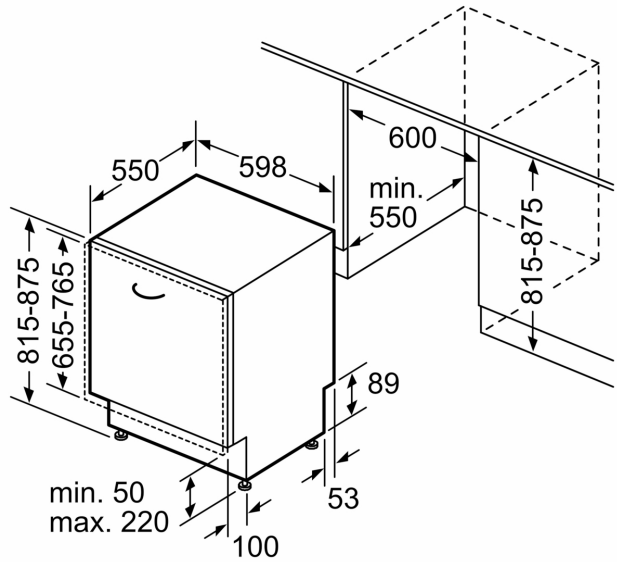
* Please find warranty terms under [please insert here the local URL (internet address, e.g. <https://www.bosch-home.com/> but with the direct page with the warranty terms)

**Series 4, fully-integrated dishwasher,
60 cm, Variable hinge for special
installation situations
SMH4EVX08E**

measurements in mm



⚡ socket
() values with extension kit



measurements in mm