

N 90, FLEX INDUCTION HOB, 80 CM, BLACK, FLUSH MOUNT  
T68PYY4C0



Standalone Flex Induction hob with Twist Pad® Flex control.

- ✓ Twist Pad Flex® - An easy to spin dial for effortless control of your hob.
- ✓ Flex Design - Your hob personalised with a separately selectable Twist Pad Flex® in four colours.
- ✓ Intuitive Flex Zones - Place your cookware! Size, shape and position are recognised instantly.
- ✓ Home Connect - Monitor your hob via the App.
- ✓ Smart Hood Automatic - The matching hood automatically adjusts on your hob settings while cooking.

Z1365WX0 Wireless food thermometer, Z9401FF0 Flex Pan, large, Z9401TY0 Teppan Yaki, Z9403FF0 Flex Pan set, 3 pcs., Z9404FF0 Flex Pan set, 4 pcs., Z9404SE0 4 pieces Set, Z9406SE0 6 pieces Set, Z9410ES0 Espresso maker 4 cups, Z9410X1 Stainless Steel roaster with glas lid, Z9415X1 Steaming Rack for Stainless Steel roaste, Z9416X2 Griddle Plate, Z9417X2 Teppan Yaki (large), Z9424CF0 Fry pan, coated 24cm Ø, Z9428CF0 Fry pan, coated 28cm Ø, Z9428FE0 Iron pan Ø 18 / 28 cm, Z943SE0 Set of 2 pots and 1 pan, Z9451X0 System pan diameter 15 cm, Z9453X0 System pan diameter 21cm, Z9455X0 System pan diameter 28 cm, Z9801TWAY0 Twist Pad Flex, Anthracite Grey, Z9801TWBY0 Twist Pad Flex, Brushed Bronze, Z9801TWDY0 Twist Pad Flex, Deep Black, Z9801TWMY0 Twist Pad Flex, Metallic Silver, Z9914X0 Connecting strip

Z9801TWAY0 Twist Pad Flex, Anthracite Grey  
Z9801TWBY0 Twist Pad Flex, Brushed Bronze  
Z9801TWDY0 Twist Pad Flex, Deep Black  
Z9801TWMY0 Twist Pad Flex, Metallic Silver

Appliance type: ..... Cooking zone ceramic  
Design: ..... Built-in  
Heating type: ..... Electric hob  
Total number of positions that can be used at the same time: 4  
Width of the appliance: ..... 792 mm  
Dimensions: ..... 56x792x512 mm  
Dimensions of the packed product (HxWxD): . 130 x 950 x 600 mm  
Net weight: ..... 15.2 kg  
Gross weight: ..... 18.1 kg  
Residual heat indicator: ..... yes  
Location of control panel: ..... Front  
Basic surface material: ..... Glass ceramic  
Color of surface: ..... Black  
Length electrical supply cord: ..... 110.0 cm  
Sealed Burners: ..... No  
Power Boost: ..... All cooking zones  
Power of 2nd heating element (kW): ..... 3.3 kW  
Power of heating element (kW in boost): ..... [3.7] kW  
Power of 6th heating element (kW in boost): ..... 3.7 kW  
Connection Rating: ..... 7400 W  
Voltage: ..... 220-240 V  
Frequency: ..... 50; 60 Hz  
Heating type: ..... Electric hob  
Appliance Dimensions (h x w x d) (in): ..... x x  
Dimensions of the packed product: ..... 5.11 x 23.62 x 37.40  
Net weight: ..... 34.000 lbs  
Gross weight: ..... 40.000 lbs  
Total number of positions that can be used at the same time: 4  
Length electrical supply cord: ..... 110.0 cm  
Dimensions: ..... 56x792x512 mm  
Dimensions of the packed product (HxWxD): . 130 x 950 x 600 mm  
Net weight: ..... 15.2 kg  
Gross weight: ..... 18.1 kg



N 90, FLEX INDUCTION HOB, 80 CM, BLACK, FLUSH MOUNT  
T68PYY4C0

- 80 cm: space for 4 pots

#### Flexibility of cooking zones

- 2 FlexZones extended: use cookware of any shape or size anywhere within the 40cm long zone or even place it laterally.
- Cooking zone front left: 200 mm, 230 mm, 2.2 KW (max. power 3.7 KW)
- Cooking zone rear left: 200 mm, 230 mm, 2.2 KW (max. power 3.7 KW)
- Cooking zone rear right: 200 mm, 230 mm, 2.2 KW (max power 3.7 KW)
- Cooking zone front right: 200 mm, 230 mm, 2.2 KW (max. power 3.7 KW)

#### Usage convenience

- Twist Pad Flex® (select your favourite out of 4 colours): directly control the power with the removable magnetic knob.
- Light Dialog with two coloured display (white/red): see directly, which cooking zone is heating and which function is in use on the two-coloured display.
- Favourite button: directly access favourite functions with a configurable button (available with connected Home Connect account).
- 17 power levels: precisely adapt the heat with 17 power levels (9 main levels and 8 intermediate levels).
- Keep warm, selectable via Favourite button/Home Connect App (expected availability in Q4/2024 via software update for appliances connected to Home Connect): keep dishes warm at preset low power level.
- Switch-off timer (on appliance): switches off the cooking zone at the end of the time set (e.g. for boiled eggs).
- Count-down-timer (can be chosen instead of switch-off timer): an alarm sounds at the end of the time set (e.g. for pasta).
- Sound volume adaptable to personal preference and needs.

#### Time saving & efficiency

- Power Boost for all zones: boil water more quickly thanks to 50% more energy than at the highest standard level.
- Pan boost, selectable via Favourite button/Home Connect App (expected availability in Q4/2024 via software update for appliances connected to Home Connect): heat up pans more quickly than at the highest standard level while protecting the pan coating.
- Automatic join split: when placing large cookware on the Flex zone, the hob automatically connects two cooking zones into a large continuous one.
- Power Transfer: when moving a pot to a different cooking zone (Flex zone), transfer all previous settings to the new zone at the touch of a button.
- Automatic zone selection: when switched on, the hob automatically selects the Flex cooking zone on which a new cookware is placed.
- When moving a pot on the Flex zone, the settings adjust instantly and the cooking zone adapts to the size of the cookware
- Quick Start Function: when switching on, the hob automatically selects the cooking zone with cookware (placed in off-mode).
- Re Start Function: in case of unintentional switch-off, restore all previous settings by switching on the hob again within 4 seconds.

#### Cooking assistance

- Extended Frying Sensor: prevents scorching with the automatic temperature regulation of the integrated sensor.
- Dish assistant, via Home Connect App (expected availability in Q4/2024 via software update for appliances connected to Home Connect): easily find the right temperature setting for a certain dish via the Home Connect app.

#### Connectivity

- Home Connect (only in countries where Home Connect service is available): check if the hob is switched off even when not at home, and find recipes or additional functions in the Home Connect app.
- Hob-based hood control (with matching hood): automatically activates the hood when cooking, thanks to the WiFi connection of hob and suitable hood.
- Smart Hood Automatic (available after software update): hood automatically adapts fan speed thanks to hob continuously providing cooking data (with matching hood and connected Home Connect account).
- Smart home trigger, via Favourite button (available with connected Home Connect account): open up the smart universe from your cooktop (partner service required).
- Updateable appliance (available with connected Home Connect account): keep appliance always up to date with latest status of software.

#### Design

- Flush-Top Frame installation: seamless transition of hob and worktop makes cleaning easier and integrates the hob beautifully.
- Neff Collection exclusive zone printing: minimalistic design thanks to dark colour of zone printing.

#### Safety

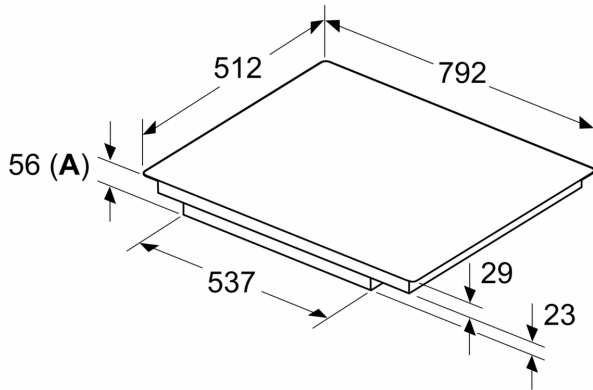
- Residual heat indicator (2 stage): indicates which cooking zones are still hot or warm.
- Childproof lock: prevent unintended activation of the hob.
- Pause function: pause the heating process, e.g to answer the door.
- Main Switch: switch off all cooking zones at the touch of a button.
- Safety switch-off: for safety reasons, heating stops after a preset time without interaction.

#### Installation

- Dimensions of the product (HxWxD mm): 56 x 792 x 512
- Required niche size for installation (HxWxD mm): 56 x 796 x 516
- Min. worktop thickness: 16 mm
- Connected load: 7400 W
- Powermanagement function: limit the maximum power if needed (depends on fuse protection of electric installation).
- For installation in stone, granitic or synthetic worktops. Other worktop materials require a suitability check with the worktop manufacturer.

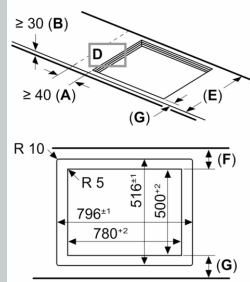
N 90, FLEX INDUCTION HOB, 80 CM, BLACK, FLUSH MOUNT  
T68PYY4C0

Measurements in mm



A: Recessed depth

Measurements in mm

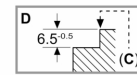


A: Min. distance from the hob cut-out to the wall

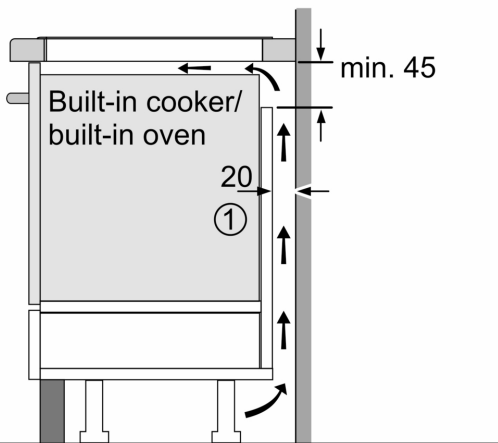
B: The clearance between the surface of the worktop and the top of the front of the oven must be 30 mm

See space requirements for the oven

C: Max. 1 mm chamfer  
The worktop into which the hob is installed must withstand loads of approx. 60 kg; suitable substructures must be used if required

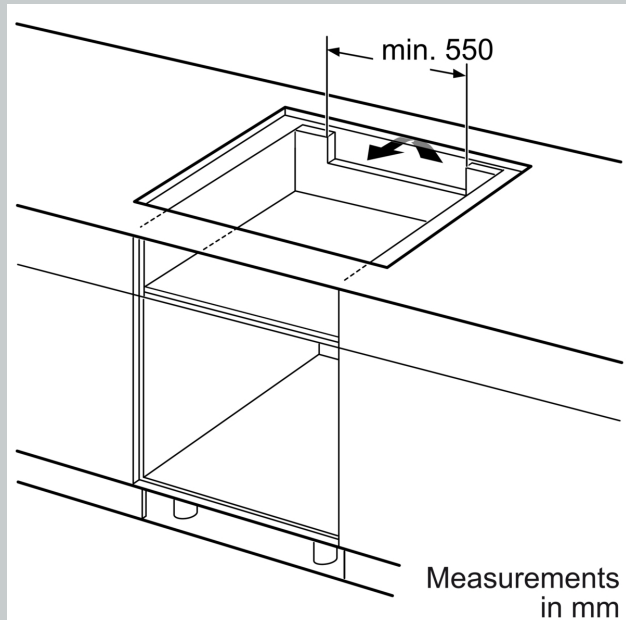


E	F	G
585-600	50	≥ 35
> 600	≥ 50	≥ 50



① Ventilation gap must be present

All measurements in mm



Measurements in mm

