

Series 6, Induction hob, 60 cm, Matt black , PVS61AHC1E



- HEZ32WA00 Wireless food thermometer
- HEZ9ES100 Espresso maker 4 cups
- HEZ9SE030 Set of 2 pots and 1 pan
- HEZ9SE040 4 pieces Set
- HEZ9SE060 6 pieces Set

The DirectSelect hob with PerfectFry Plus: Direct and simple control with temperature sensor to prevent scorching.

- **Matt Design:** 5x fewer visible scratches thanks to carbon black matt finish.
- **DirectSelect:** easy selection of cooking zone, power level and additional functions.
- **Combi Zone:** combine two induction cooking zones to heat large cookware.
- **PerfectFry Plus:** no more worrying about scorching.
- **Smart Hood Automatic:** adjusts the fan speed based on hob settings for stress-free cooking.

Product name/family: Cooking zone ceramic
 Built-in / Free-standing: Built-in
 Energy input: Electric
 Total number of positions that can be used at the same time: 4
 Required niche size for installation (HxWxD): 51 x 560-560 x 490-500 mm
 Width of the appliance: 592 mm
 Dimensions: 51x592x522 mm
 Dimensions of the packed product (HxWxD): 125x750x600 mm
 Net weight: 11.9 kg
 Gross weight: 13.1 kg
 Residual heat indicator: yes
 Location of control panel: Front
 Basic surface material: Ceramic
 Color of surface: Matt black
 Length electrical supply cord: 110 cm
 Sealed Burners: No
 Power Boost: All cooking zones
 Power of 2nd heating element (kW): 3600.0 W
 Power of 5th heating element (kW): 1600.0 W
 Power of heating element (kW in boost): [3.7] kW
 Power of 5th heating element (kW in boost): [2.2] kW
 Connection rating: 6900 W
 Voltage: 220-240 V
 Frequency: 50-60 Hz
 Energy input: Electric
 Plug type: No plug (electrical connection by electrician)
 Appliance Dimensions (h x w x d) (in): x x
 Dimensions of the packed product: 4.92 x 23.62 x 29.52
 Net weight: 26.000 lbs
 Gross weight: 29.000 lbs
 Total number of positions that can be used at the same time: 4
 Length electrical supply cord: 110 cm
 Required niche size for installation (HxWxD): 51 x 560-560 x 490-500 mm
 Dimensions: 51x592x522 mm
 Dimensions of the packed product (HxWxD): 125x750x600 mm
 Net weight: 11.9 kg
 Gross weight: 13.1 kg



Series 6, Induction hob, 60 cm, Matt black , PVS61AHC1E

The DirectSelect hob with PerfectFry Plus: Direct and simple control with temperature sensor to prevent scorching.

- 60 cm: space for 4 pots or pans.

Flexibility of cooking zones

- CombiZone
- : use bigger cookware by connecting two classic cooking zones into one large zone.
- Cooking zone front left: 190 mm, 210 mm, 2.5 KW (max. power 3.7 KW)
- Cooking zone rear left: 190 mm, 210 mm, 2.5 KW (max. power 3.7 KW)
- Cooking zone rear right: 145 mm , 1.6 KW (max power 2.2 KW)
- Cooking zone front right: 180 mm, 2 KW (max. power 3.1 KW)

Usage convenience

- Multitouch+: directly control the power with the imprinted touch bar.
- yes: directly access favourite functions with a configurable button (available with connected Home Connect account).
- 17 power levels: precisely adapt the heat with 17 power levels (9 main levels and 8 intermediate levels).
- via HC app/MyButton: keep dishes warm at preset low power level.
- on device: switches off the cooking zone at the end of the time set (e.g. for boiled eggs).
- alternative: an alarm sounds at the end of the time set (e.g. for pasta).
- Sound volume adaptable to personal preference and needs.

Time saving & efficiency

- PowerBoost function for all zones
- : boil water more quickly thanks to 50% more energy than at the highest standard level.
- via HC app/MyButton: heat up pans more quickly than at the highest standard level while protecting the pan coating.
- QuickStart Function: when switching on, the hob automatically selects the cooking zone with cookware (placed in off-mode).
- ReStart Function: in case of unintentional switch-off, restore all previous settings by switching on the hob again within 4 seconds.

Cooking assistance

- 11 frying levels: prevents scorching with the automatic temperature regulation of the integrated sensor.
- Dish assistant: easily find the right temperature setting for a certain dish via the home connect app.

Connectivity

- Home Connect (only in countries where Home Connect service is available: check if the hob is switched off even when not at home, and find recipes or additional functions in the Home Connect app.
- Hob-based hood control (with matching hood): automatically activates the hood when cooking, thanks to the WiFi connection of hob and suitable hood.
- yes: hood automatically adapts fan speed thanks to hob continuously providing cooking data (with matching hood and

connected Home Connect account).

- via MyButton: open up the smart universe from your cooktop (partner service required).
- Updateable appliance (available with connected Home Connect account): keep appliance always up to date with latest status of software.

Design

- Hightrans Eco Matt: elegant, matt glass ceramic design which is less susceptible to visible scratches and fingerprints.
- frameless

Safety

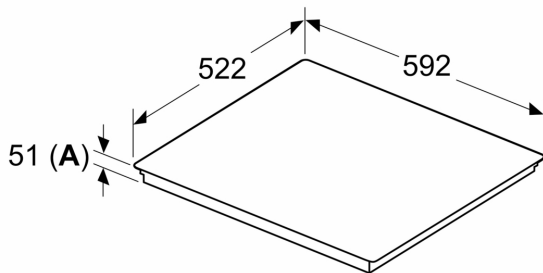
- 2 stage residual heat indicator: indicates which cooking zones are still hot or warm.
- Childproof lock: prevent unintended activation of the hob.
- Pause funktion: pause the heating process, e.g to answer the door.
- Main switch: switch off all cooking zones at the touch of a button.
- Safety switch-off: for safety reasons, heating stops after a preset time without interaction (customizable).

Installation

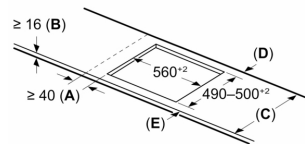
- Dimensions of the product (HxWxD mm): 51 x 592 x 522
- Required niche size for installation (HxWxD mm) : 51 x 560 x (490 - 500)
- Min. worktop thickness: 16 mm
- Connected load: 6900 W
- PowerManagement Function: limit the maximum power if needed (depends on fuse protection of electric installation).
- Power cord: 110 cm, Cable included

Series 6, Induction hob, 60 cm, Matt black , PVS61AHC1E

Measurements in mm



Measurements in mm



A: Min. distance from the hob cut-out to the wall

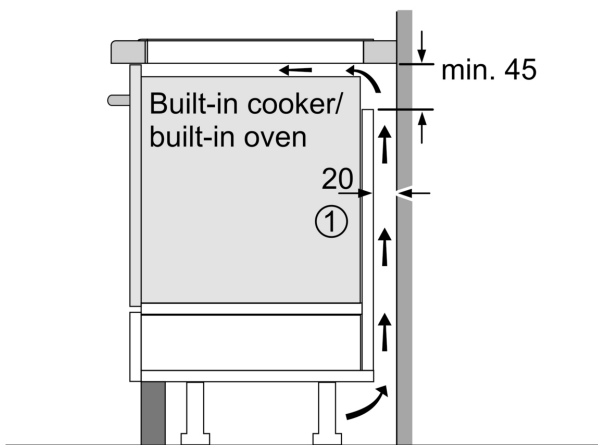
B: The clearance between the surface of the worktop and the top of the front of the oven must be 30 mm

See space requirements for the oven

The worktop into which the hob is installed must withstand loads of approx. 60 kg; suitable substructures must be used if required

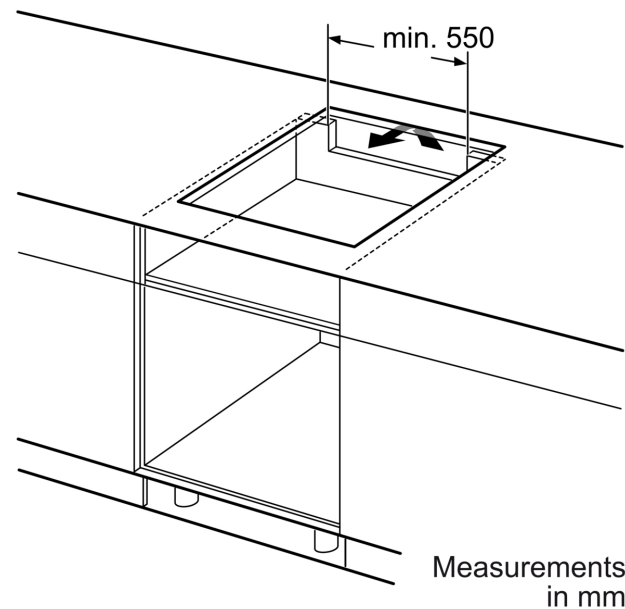
C	D	E
585-600	50	≥ 35
> 600	≥ 50	≥ 50

A: Recessed depth

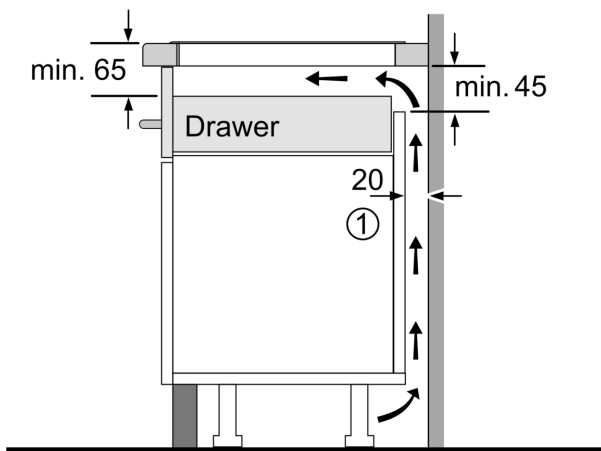


① Ventilation gap must be present

All measurements in mm



Measurements in mm



①
Ventilation gap must
be present.

Measurements in mm