

**Series 8, Flex induction hob, 80 cm,
surface mount with frame
PXY875DC1E**



- HEZ32WA00 Wireless food thermometer
- HEZ390522 Griddle Plate
- HEZ394301 Connecting strip
- HEZ9ES100 Espresso maker 4 cups
- HEZ9FF040 Flex Pan set, 4 pcs.
- HEZ9SE040 4 pieces Set
- HEZ9SE060 6 pieces Set
- HEZ9TY010 Teppan Yaki

**The FlexInduction® hob: you can place
multiple pots and pans or large cookware
anywhere on the flexible cooking zone.**

- **DirectSelect Premium:** direct, simple selection of the desired cooking zone, power and additional functions.
- **Extended FlexInduction Zone:** maximum space on your hob for large cookware.
- **PerfectFry:** no more worries about scorching.
- **Comfort Profile:** elegant, appealing design with bevelled front and metal strips on the side.
- **Move Mode:** divides the cooking zone in three power levels for boiling, cooking and simmering.

Product name/family: Cooking zone ceramic
 Built-in / Free-standing: Built-in
 Energy input: Electric
 Total number of positions that can be used at the same time: 4
 Required niche size for installation (HxWxD): 51 x 750-780 x 490-500 mm
 Width of the appliance: 816 mm
 Dimensions: 51x816x527 mm
 Dimensions of the packed product (HxWxD): 126x953x603 mm
 Net weight: 18.1 kg
 Gross weight: 19.6 kg
 Residual heat indicator: yes
 Location of control panel: Front
 Basic surface material: Ceramic
 Color of surface: Black, Alu, brushed
 Length electrical supply cord: 110 cm
 Sealed Burners: No
 Power Boost: All cooking zones
 Power of 2nd heating element (kW): 3300.0 W
 Power of heating element (kW in boost): [3.7] kW
 Power of 6th heating element (kW in boost): 3.7 kW
 Connection rating: 7400 W
 Voltage: 220-240 V
 Frequency: 60; 50 Hz
 Energy input: Electric
 Plug type: No plug (electrical connection by electrician)
 Appliance Dimensions (h x w x d) (in): x x
 Dimensions of the packed product: 4.96 x 23.74 x 37.51
 Net weight: 40.000 lbs
 Gross weight: 43.000 lbs
 Total number of positions that can be used at the same time: 4
 Length electrical supply cord: 110 cm
 Required niche size for installation (HxWxD): 51 x 750-780 x 490-500 mm
 Dimensions: 51x816x527 mm
 Dimensions of the packed product (HxWxD): 126x953x603 mm
 Net weight: 18.1 kg
 Gross weight: 19.6 kg



Series 8, Flex induction hob, 80 cm, surface mount with frame PXY875DC1E

The FlexInduction® hob: you can place multiple pots and pans or large cookware anywhere on the flexible cooking zone.

- 80 cm: space for 4 pots or pans.

Flexibility of cooking zones

- 2 FlexZones extended: use cookware of any shape or size anywhere within the 40cm long zone or even place it laterally.
- Cooking zone front left: 230 mm, 200 mm, 2.2 KW (max. power 3.7 KW)
- Cooking zone rear left: 230 mm, 200 mm, 2.2 KW (max. power 3.7 KW)
- Cooking zone rear right: 230 mm, 200 mm, 2.2 KW (max power 3.7 KW)
- Cooking zone front right: 230 mm, 200 mm, 2.2 KW (max. power 3.7 KW)

Usage convenience

- DirectSelect Premium touch control: directly control the power on the extra large illuminated touch bar (invisible when switched off).
- 17 power levels: precisely adapt the heat with 17 power levels (9 main levels and 8 intermediate levels).
- Keep warm function for all cooking zones: keep dishes warm at preset low power level.
- Switch off timer for every cooking zone
 - : switches off the cooking zone at the end of the time set (e.g. for boiled eggs).
- Timer
 - : an alarm sounds at the end of the time set (e.g. for pasta).
 - Count-up timer
 - : shows how much time has passed since starting the timer (e.g. for potatoes).

Time saving & efficiency

- PowerBoost function for all zones
 - : boil water more quickly thanks to 50% more energy than at the highest standard level.
- All: heat up pans more quickly than at the highest standard level while protecting the pan coating.
- Cooking zones will be automatically joined or separated based on the shape and size of the cookware placed.
- MoveMode (3 levels): increase or decrease the power level simply by moving the pot forwards or backwards.
- Automatic setting transfer: when moving a pot to a different cooking zone, transfer all previous settings to the new zone at the touch of a button.
 - yes: when switched on, the hob automatically selects the cooking zone on which a new cookware is placed.
 - when moving a pot, the settings adjust instantly and the cooking zone adapts to the size of the cookware
- QuickStart Function: when switching on, the hob automatically selects the cooking zone with cookware (placed in off-mode).
- ReStart Function: in case of unintentional switch-off, restore all previous settings by switching on the hob again within 4 seconds.

Cooking assistance

- PerfectFry sensor with 5 temperature settings: prevents scorching with the automatic temperature regulation of the integrated sensor.

Design

- Comfort profile

Safety

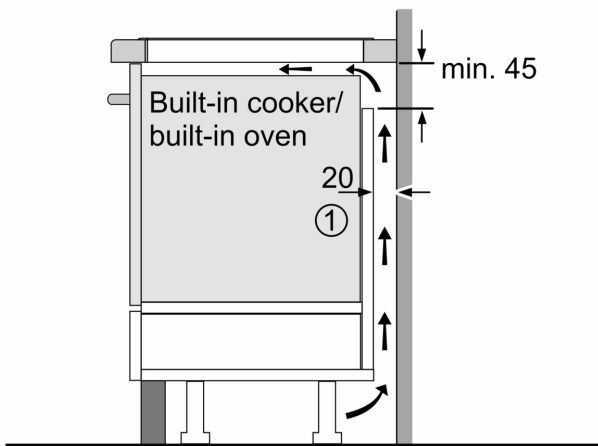
- 2 stage residual heat indicator: indicates which cooking zones are still hot or warm.
- Childproof lock: prevent unintended activation of the hob.
- Wipe protection function: wipe overboiled liquids without unintentionally changing settings (blocking all touch buttons for 30 seconds).
- Main switch: switch off all cooking zones at the touch of a button.
- Safety switch-off: for safety reasons, heating stops after a preset time without interaction (customizable).
- Energy consumption display: shows the electricity consumption of the last cooking process.

Installation

- Dimensions of the product (HxWxD mm): 51 x 816 x 527
- Required niche size for installation (HxWxD mm) : 51 x 750 x (490 - 500)
- Min. worktop thickness: 16 mm
- Connected load: 7400 W
- PowerManagement Function: limit the maximum power if needed (depends on fuse protection of electric installation).
- Power cord: 110 cm, Cable included

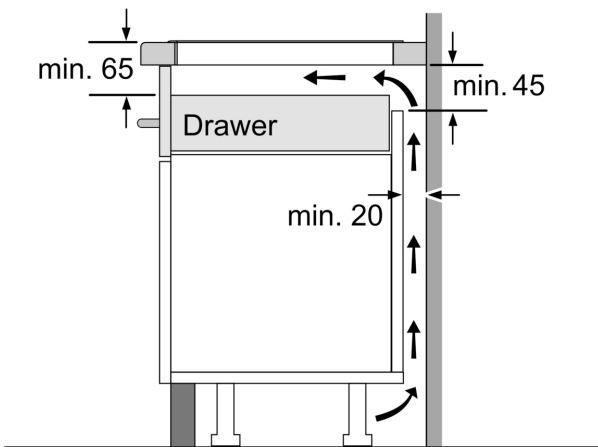
Accessories

**Series 8, Flex induction hob, 80 cm,
surface mount with frame
PXY875DC1E**

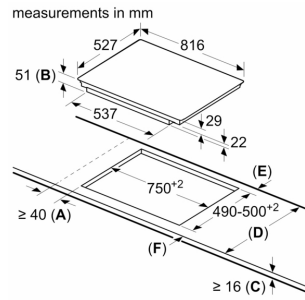


①
Ventilation gap must
be present

All measurements in mm



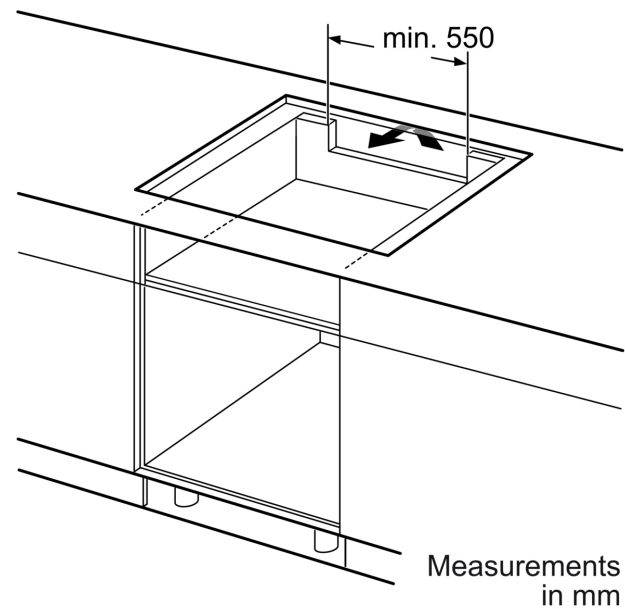
Measurements in mm



A: Minimum distance from the hob cut-out to the wall.
B: Recessed depth
C: The clearance between the surface of the worktop and the top of the front of the oven must be 30 mm. See space requirements for the oven.

The worktop into which the hob is installed must withstand loads of approx. 60 kg; suitable substructures must be used if required.

D	E	F
585-600	50	≥ 35
> 600	≥ 50	≥ 50



Measurements
in mm