

**iQ700, Steam Drawer, 60 x 14 cm,
Black
BD911C1B0**



- ✓ Steam drawer - Ultimate steam cooking in a compact design for delicious, healthy meals in any kitchen space.
- ✓ Compact format - flexible kitchen planning and versatile cooking with numerous placement and combination possibilities.
- ✓ Steam functions - Versatile applications to cook healthy, gently and naturally.
- ✓ cookControl – Pre-installed settings for excellent results.
- ✓ Cooking Assistant – Intuitively set the right programme.

Features

Technical Data

Design:	Built-in
Dimensions:	141x594x518 mm
Dimensions of the packed product (HxWxD):	264x655x673 mm
Required niche size for installation (HxWxD): ...	144 x 560 x 550 mm
Type of control setting and signalling devices:	touch control, Via app
Time control:	No
Fuse protection:	10 A
Voltage:	220-240 V
Frequency:	50-60 Hz
Plug type:	Gardy plug w/ earthing
Required cutout/niche size for installation (in):	x
Dimensions of the packed product:	10.39 x 25.78 x 26.49
Net weight:	43.000 lbs
Gross weight:	48.000 lbs
Length electrical supply cord:	120 cm
Required niche size for installation (HxWxD): ...	144 x 560 x 550 mm
Dimensions:	141x594x518 mm
Dimensions of the packed product (HxWxD):	264x655x673 mm
Net weight:	19.5 kg
Gross weight:	21.6 kg
Included accessories:	1 x sponge, 1 x steam basket



iQ700, Steam Drawer, 60 x 14 cm, Black BD911C1B0

Features

Type of appliance / heating system:

- Temperature range 30 °C - 100 °C
- Steam Drawer with 5 heating methods: Steam, Regeneration with steam, Fermentation with steam, Defrost with steam, Disinfection

Design:

- stainless steel cavity
- Appliance colour: Black

Cleaning:

- Descaling programme
- Descaling duration: 32 min
- Easy to clean stainless steel cavity

Comfort:

- LED display
- cookControl 10
- Additional automatic programmes via Home Connect
- Cavity volume: 10 l
- Glas Lid with resting position
- Watertank volume: 0.5 l
- Water tank empty indicator
- Time Indicator on the frontpanel
- Location of the steam generator is inside of the cavity

Accessory:

- 1 x sponge, 1 x steam basket

Environment and Safety:

- Child lock
- Start-/Stop button
- Door contact switch
- Child Lock via Home Connect
- Integral cooling fan

Technical Information

- Length of mains cable: 120 cm
- Total connected load electric: 1.7 KW
- Nominal voltage: 220 - 240 V

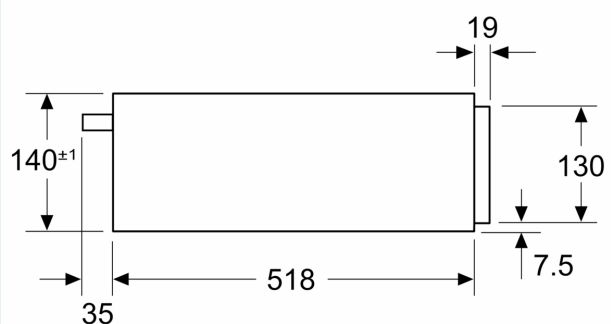
Dimensions:

- Appliance dimension (HxWxD): 141 mm x 594 mm x 518 mm
- "Please reference the built-in dimensions provided in the installation drawing"
- This Drawer is suitable to all: Siemens iQ500 Fullsize studioline appliances and all Siemens iQ700.
- The intelligent steam drawer with Home Connect for control at any time from anywhere and access to countless digital services. Versatile steam functions to cook healthy, gently and naturally– all in a compact design that fits even the smallest kitchen.

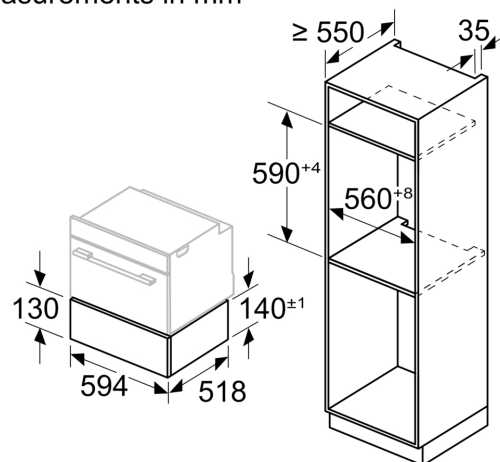
**iQ700, Steam Drawer, 60 x 14 cm,
Black
BD911C1B0**

Dimensioned drawings

Measurements in mm

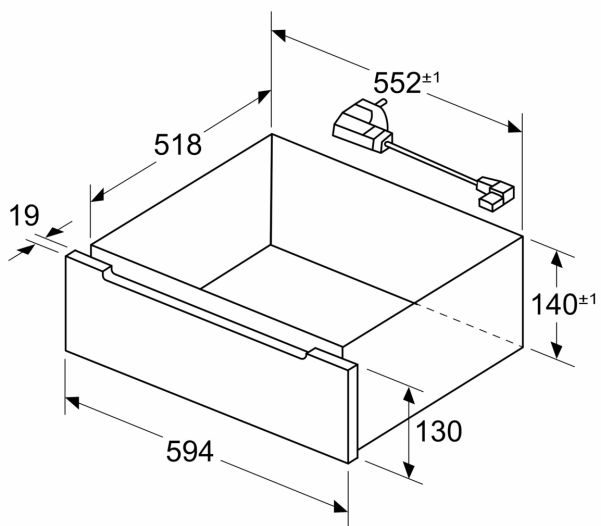


Measurements in mm



For the combined installation of some electrical appliances, the appliances could be directly stacked on the drawer

Measurements in mm



Measurements in mm

