

iQ700, Built-in warming drawer, 60 x 14 cm, Black BI910C1B1



The intelligent touchControl multifunctional warming drawer with Home Connect for control at any time from anywhere.

- ✓ Intuitive touch control
- ✓ push&pull – No-handle drawer that’s easy to open and close.
- ✓ Home Connect – Control the multifunctional warming drawer at any time from wherever you want.
- ✓ Drawer installation - Ideal combination to a 45cm compact appliance.
- ✓ Slow cooking: for slow and gentle cooking at a low temperature.

Optional accessories

HZ32WA00 wireless roastingSensor

Features

Technical Data

Design: Built-in
 Maximum number of espresso cups: 64
 Dimensions: 140x594x518 mm
 Dimensions of the packed product (HxWxD):260x650x700 mm
 Required niche size for installation (HxWxD): ... 140 x 560 x 550 mm
 Type of control setting and signalling devices: touch control, Via app
 Time control: No
 Fuse protection:10 A
 Voltage:220-240 V
 Frequency:50; 60 Hz
 Plug type: Gardy plug w/ earthing
 Required cutout/niche size for installation (in): X
 Dimensions of the packed product: 10.23 x 25.59 x 27.55
 Net weight: 42.000 lbs
 Gross weight: 46.000 lbs
 Length electrical supply cord: 175 cm
 Required niche size for installation (HxWxD): ... 140 x 560 x 550 mm
 Dimensions: 140x594x518 mm
 Dimensions of the packed product (HxWxD):260x650x700 mm
 Net weight: 19.1 kg
 Gross weight: 20.8 kg



iQ700, Built-in warming drawer, 60 x 14 cm, Black BI910C1B1

Features

Type of appliance / heating system:

- Multifunctional warming drawer with 1 heating functions: Gentle heating, Keep warm, plate warming, cup warming

Design:

- Touch Control illuminated
- Touch key operation
- Glass plate made of toughened glass

Comfort:

- User-friendly electronics: extremely
- easy and comfortable operation
- Cavity volume: 20 l
- Loading up to 25 kg
- Max. loading espresso cups: 64 PC or Max. loading plates: 12 PC
- Temperature control in 4 levels: ca. 30°C - 80°C (glass surface temperature)
- push&pull opening without handle
- Favourites button - manage via Home Connect app
- Home Connect ready on Wi-Fi

Technical Information

- Length of mains cable: 175 cm
- Total connected load electric: 0.82 KW
- Nominal voltage: 220 - 240 V

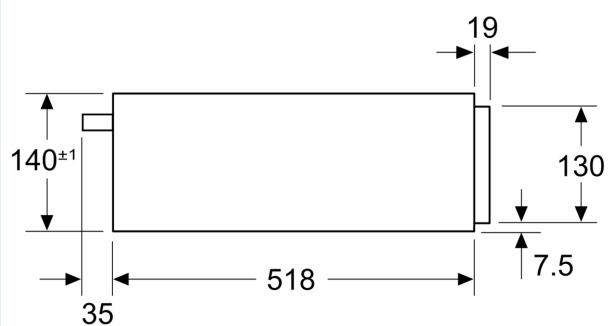
Dimensions:

- Appliance dimension (HxWxD): 140 mm x 594 mm x 518 mm
- Niche dimension (HxWxD): 140 mm x 560 mm - 568 mm x 550 mm
- We recommend you to choose complementary products within iQ700, in order to assure an optimal design combination of your Built-In appliances.
- "Please reference the built-in dimensions provided in the installation drawing"

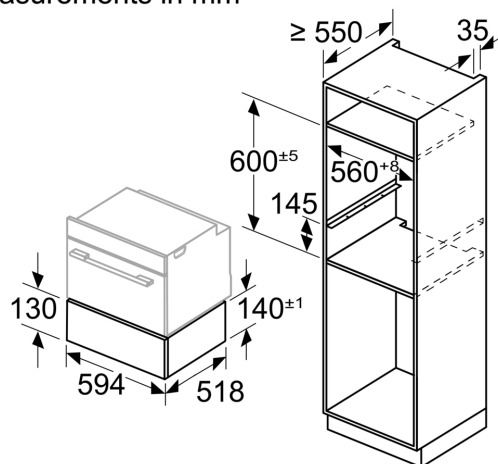
iQ700, Built-in warming drawer, 60 x 14 cm, Black BI910C1B1

Dimensioned drawings

Measurements in mm



Measurements in mm



For the combined installation of some electrical appliances, support frames are required