

iQ700, Built-in compact oven with microwave function, 60 x 45 cm, Black CM936GCB1



The intelligent varioSpeed microwave oven with Cooking Assistant for intuitive programme setting and roastingSensor Plus for excellent results.

- ✓ TFT-Touchdisplay Plus – Smooth-touch navigation for simple and intuitive operation.
- ✓ cookControl Pro – Excellent results, whatever the recipe or circumstances.
- ✓ Cooking Assistant: Intuitively set the right programme.
- ✓ varioSpeed – Prepare excellent dishes up to 50% faster.
- ✓ Home Connect with Remote Control – Unlock the full potential of your smart oven.

Features

Technical Data

Type of micro-wave oven:	MW-Combi
Type of control:	Electronic
Dimensions:	455x594x548 mm
Cavity dimensions:	237 x 480 x 392 mm
Length electrical supply cord:	150 cm
Net weight:	34.4 kg
Gross weight:	36.9 kg
Maximum micro-wave power ¹ :	900 W
Number of Power Levels:	5
Turntable:	No
Cavity material:	Enamelled steel
Clock:	Yes
Included accessories:	1 x combination grid, 1 x universal pan
Height of the appliance:	455 mm
Width of the appliance:	594 mm
Depth:	548 mm
Maximum micro-wave power ¹ :	900 W
Connection rating:	3600 W
Fuse protection:	16 A
Voltage:	220-240 V
Frequency:	50; 60 Hz
Plug type:	Gardy plug w/ earthing
Required cutout/niche size for installation (in):	x
Dimensions of the packed product:	20.86 x 26.37 x 26.77
Net weight:	76.000 lbs
Gross weight:	81.000 lbs



Included accessories

1 x combination grid, 1 x universal pan

Optional accessories

AOVG9MF00S Mech. Child safety lock (Gap size: 4mm), HZ327000 Baking stone, HZ531010 Baking tray, non-stick ceramic coated, HZ532010 Universal pan, non-stick ceramic coated, HZ617000 Pizza pan, enamelled, HZ629070 Air Fry & Grill tray, HZ631070 Baking tray, enamelled, HZ632070 Multipurpose pan, enamelled, HZ634000 Baking and roasting grid (standard), HZ636000 Glass pan, HZ65MA00 Assembly kit for vertical installation, HZ664000 Baking and roasting grid (steam), HZ66X600 Decor list, HZ66X650 Cover Strip, HZ915003 Glass roasting dish, 5,4 L, HZG0AS00 Connecting cable 3m

¹ Intelligent inverter technology: maximum output power will be regulated to 600 W when used in longer operation

iQ700, Built-in compact oven with microwave function, 60 x 45 cm, Black CM936GCB1

Features

Type of oven / heating system:

- Compact oven with microwave with 20 heating methods: 4D hotAir, Conventional heat, hotAir grilling, Full width grill, Half width grill, Pizza setting, coolStart, Bottom heat, Gentle heating, Plate warming setting, Keep warm, hotAir gentle, Conventional heat gentle, Air fry, microwave, 4D hotair + microwave, Top/bottom heat + microwave, grill + microwave, half width grill + microwave, hotair grilling + microwave
- Heating methods only via Home Connect App: let rest, preheating
- Max. Power: 900 W; 5 Microwave power settings (90 W, 180 W, 360 W, 600 W, boost) with Inverter (MW)
- Intelligent inverter technology: maximum output power will be regulated to 600 W when used in longer operation
- Temperature range 30 °C - 300 °C
- Cavity volume: 45 l
- Cavity: smooth

Hook-in racks / rails

- Number of shelf levels: 3 PC
- 1 level telescopic shelf, standard extension

Design:

- blackSteel application
- Touchcontrol
- studioLine Glass handle
- Cavity inner surface: enamel anthracite

Cleaning:

- ecoClean: coating of back panel
- humidClean Plus

Comfort:

- Cooking Assistant
- TFT-Touchdisplay Plus
- electronic clock
- Temperature proposal
- Actual temperature display
- Optical temperature control
- Drop down door
- softMove for gentle opening and closing of the oven door
- cookControl Pro
- roasting sensor
- roastingSensor Plus
- fastPreheat
- coolStart
- LED illumination, Independent oven interior light button
- Integral cooling fan
- Home Connect ready on Wi-Fi
- 4D hotAir: even heat distribution on any level, also simultaneously

Accessory:

- 1 x combination grid, 1 x universal pan

Environment and Safety:

- Low door temperature
- Triple glazed door with heat reflective glass glazed CoolTouch door
- Child lock
- Residual heat indicator
- Start-/Stop button
- Door contact switch

Technical Information

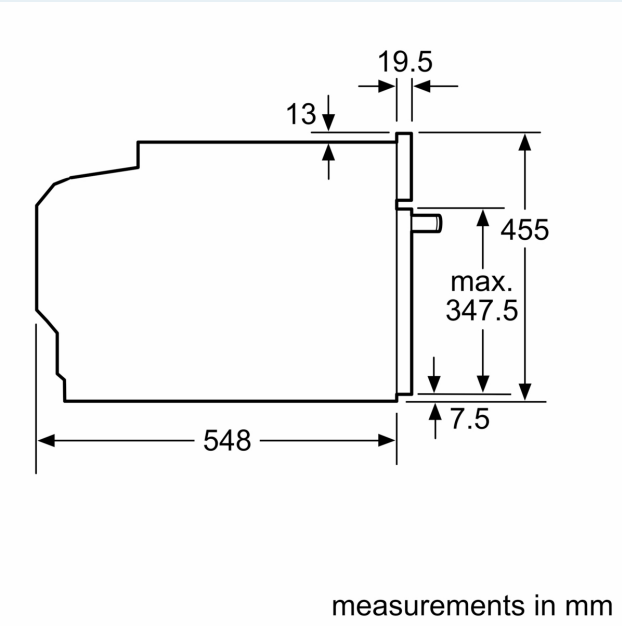
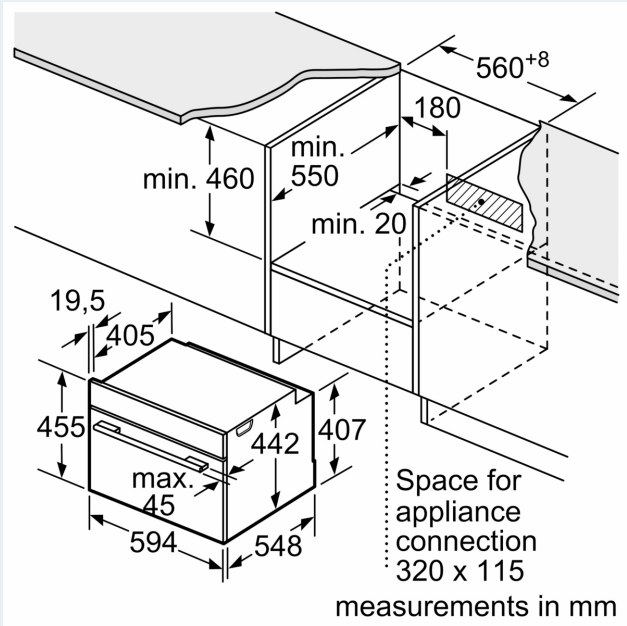
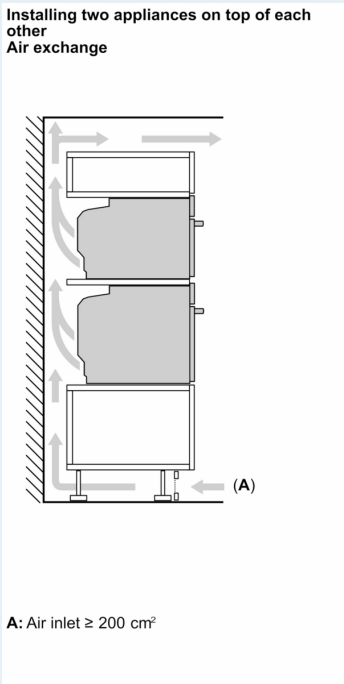
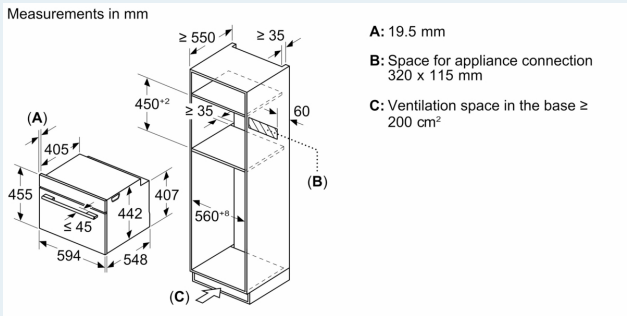
- Length of mains cable: 150 cm
- Nominal voltage: 220 - 240 V
- Total connected load electric: 3.6 KW

Dimensions:

- Appliance dimension (HxWxD): 455 mm x 594 mm x 548 mm
- Niche dimension (HxWxD): 450 mm - 455 mm x 560 mm - 568 mm x 550 mm
- "Please reference the built-in dimensions provided in the installation drawing"
- We recommend you to choose complementary products within iQ700, in order to assure an optimal design combination of your Built-In appliances.

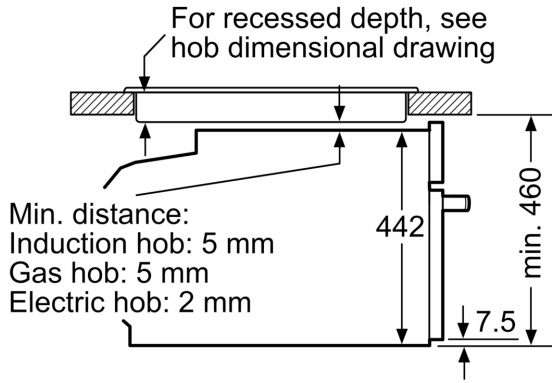
**iQ700, Built-in compact oven with microwave function, 60 x 45 cm, Black
CM936GCB1**

Dimensioned drawings



Dimensioned drawings

Installation with a hob.



measurements in mm

If the compact appliance will be installed underneath a hob, the following worktop thicknesses (including substructure if necessary) must be taken into account.

Hob type	min. worktop thickness	
	fitted	flush
Induction hob	42 mm	43 mm
Full surface Induction hob	52 mm	53 mm
Gas hob	32 mm	43 mm
Electric hob	32 mm	35 mm