

iQ700, Built-in compact oven with steam function, 60 x 45 cm, Matt Black CS938GCM1



The intelligent fullSteam Plus oven with Cooking Assistant for intuitive programme setting and roastingSensor Plus for excellent results.

- ✓ Matt Edition – the understated elegance of black matte appliances.
- ✓ TFT-Touchdisplay Pro – Large colour touch display for comfortable operation.
- ✓ cookControl Pro – Excellent results, whatever the recipe or circumstances.
- ✓ directDish and Cooking Assistant: Type your dish, get instant settings.
- ✓ fullSteam Plus with sous-vide – For healthy and great-tasting meals.

Features

Technical Data

Built-in / Free-standing : Built-in
 Door opening : Drop down
 Required niche size for installation (HxWxD) : 450-455 x 560-568 x 550 mm
 Dimensions : 455x594x548 mm
 Dimensions of the packed product (HxWxD) : 540x660x680 mm
 Control Panel Material : Glass
 Door Material : Glass
 Net weight : 34.7 kg
 Length electrical supply cord : 150 cm
 EAN code : 4242003982907
 Fuse protection : 16 A
 Voltage : 220-240 V
 Frequency : 50; 60 Hz
 Plug type : GARDY plug w/ earthing
 Usable volume (of cavity) - NEW (2010/30/EC) : 47 l
 Energy efficiency class (2010/30/EC) : A+
 Energy consumption per cycle conventional (2010/30/EC) : 0.73 kWh/cycle
 Energy consumption per cycle forced air convection (2010/30/EC) : 0.61 kWh/cycle
 Energy efficiency index (2010/30/EC) : 81.3 %
 Included accessories : 1 x enamel baking tray, 1 x grid, 1 x universal pan, 1 x steam container, punched, size XL, 1 x sponge, 1 x steam container, unpunched, size M



Included accessories

1 x enamel baking tray, 1 x grid, 1 x universal pan, 1 x steam container, punched, size XL, 1 x sponge, 1 x steam container, unpunched, size M

Optional accessories

HZ915003	Glass roasting dish, 5,4 L
HZ66X600	Decor list
HZ66D52	2 steamcontainer(punched/unpunched)sizeM
HZ638D00	Full ext rails, level independent, steam
HZ632070	Multipurpose pan, enamelled
HZ631070	Baking tray, enamelled
HZ629070	Air Fry & Grill tray
HZ617000	Pizza pan, enamelled
HZ532010	Universal pan, non-stick ceramic coated
HZ531010	Baking tray, non-stick ceramic coated
HZ32WA00	wireless roastingSensor

iQ700, Built-in compact oven with steam function, 60 x 45 cm, Matt Black CS938GCM1

Features

Type of oven / heating system:

- Compact steam oven with 24 heating methods: 4D hotAir, Conventional heat, hotAir grilling, Full width grill, Half width grill, Pizza setting, coolStart, Bottom heat, Intensive heat, Gentle heating, Plate warming setting, Keep warm, hotAir gentle, Conventional heat gentle, Air fry, Steam, Regeneration with steam, Fermentation with steam, Defrost with steam, sous-vide cooking, hotAir grilling + steam, warming + steam, 4D hotAir + steam, Top/bottom heat + steam
- Compact steam oven with 24 heating methods: Steam, Regeneration with steam, Fermentation with steam, Defrost with steam, sous-vide cooking
- Heating methods only via Home Connect App: let rest, preheating
- Temperature range 30 °C - 250 °C
- fullSteam Plus
- Cavity volume: 47 l
- Cavity: smooth

Hook-in racks / rails

- Number of shelf levels: 3
- varioClip rails Plus, full extension, with Stop function

Design:

- Matt Surface of the panel and door
- Touchcontrol
- Cavity inner surface: enamel anthracite

Cleaning:

- coated backwall: coating of back panel
- humidClean Plus
- Full glass inner door

Comfort:

- Cooking Assistant
- TFT-Touchdisplay Pro
- electronic clock
- Temperature proposal
- Actual temperature display
- Optical temperature control
- Drop down door
- softMove for gentle opening and closing of the oven door
- cookControl Pro
- roastingSensor Plus
- fastPreheat
- coolStart
- steamBoost - add for 3min intensive steam with a touch of a button.
- There are different steam intensities selectable: steam level high, steam level middle, steam level low
- LED illumination, Independent oven interior light button
- Water tank empty indicator
- Location of the steam generator is outside of the cavity
- Integral cooling fan
- Home Connect ready on Wi-Fi
- 4D hotAir: even heat distribution on any level, also simultaneously in your compact appliance

Accessory:

- 1 x grid, 1 x sponge, 1 x universal pan, 1 x enamel baking tray, 1 x steam container, punched, size XL, 1 x steam container, unpunched, size M

Environment and Safety:

- Low door temperature
- Triple glazed door with heat reflective glass glazed CoolTouch door
- Child lock
- Residual heat indicator
- Start-/Stop button
- Door contact switch
-

Technical Information

- Length of mains cable: 150 cm
- Nominal voltage: 220 - 240 V
- Total connected load electric: 3.3 KW
- Energy efficiency rating (acc. EU Nr. 65/2014): A+(at a range of energy efficiency classes from A+++ to D)
- Energy consumption per cycle in conventional mode: 0.73 kWh
- Energy consumption per cycle in fan-forced convection mode: 0.61 kWh
- Number of cavities: 1
- Heat source: electrical
- Cavity volume: 47 l
-

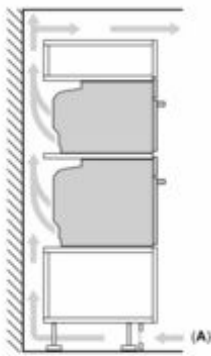
Dimensions:

- Appliance dimension (HxWxD): 455 mm x 594 mm x 548 mm
- Niche dimension (HxWxD): 450 mm - 455 mm x 560 mm - 568 mm x 550 mm
- "Please reference the built-in dimensions provided in the installation drawing"

iQ700, Built-in compact oven with steam function, 60 x 45 cm, Matt Black CS938GCM1

Dimensioned drawings

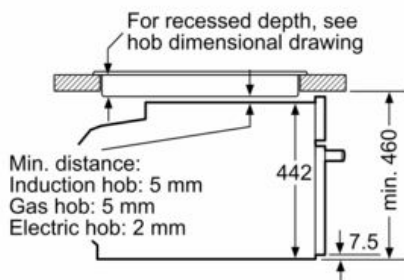
Installing two appliances on top of each other
Air exchange



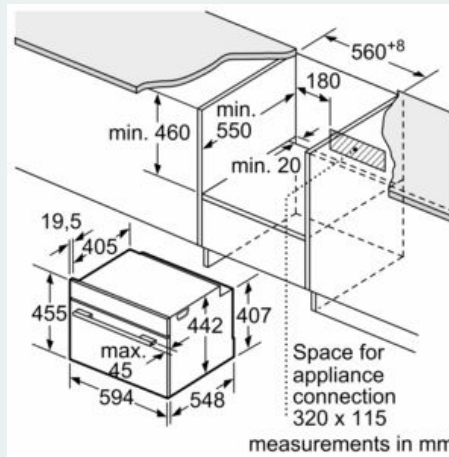
If the compact appliance will be installed underneath a hob, the following worktop thicknesses (including substructure if necessary) must be taken into account.

Hob type	min. worktop thickness	
	fitted	flush
Induction hob	42 mm	43 mm
Full surface Induction hob	52 mm	53 mm
Gas hob	32 mm	43 mm
Electric hob	32 mm	35 mm

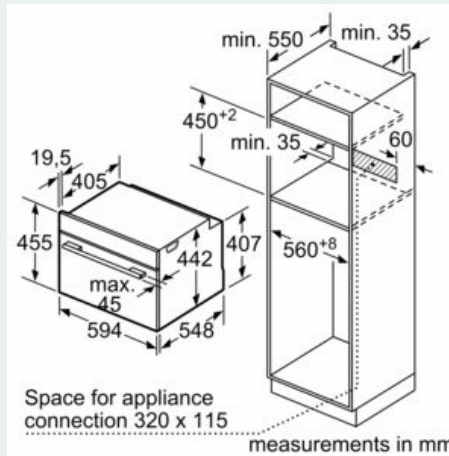
Installation with a hob.



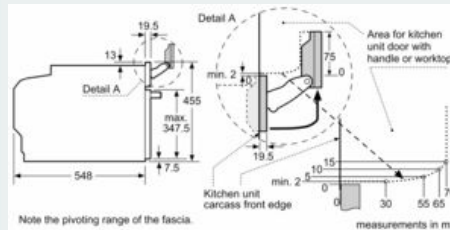
measurements in mm



Space for appliance connection 320 x 115 measurements in mm



Space for appliance connection 320 x 115 measurements in mm



Note the pivoting range of the fascia.

measurements in mm