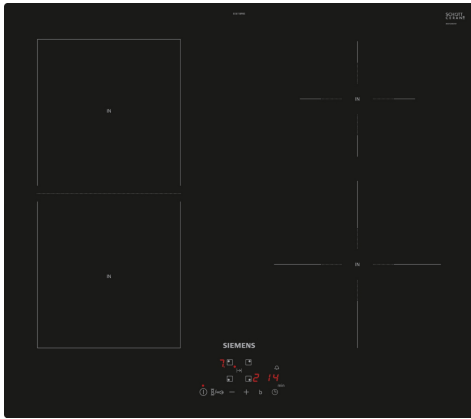


**iQ500, Induction hob, 60 cm,
surface mount without frame
EE611BPB5E**



Optional accessories	
HZ32WA00	wireless roastingSensor
HZ9ES100	Espresso maker 4 cups
HZ9FE280	Iron pan Ø 18 / 28 cm
HZ9SE030	Set of 2 pots and 1 pan
HZ9SE040	4 pieces Set
HZ9SE060	6 pieces Set

The modern Combi-Induction cooktop - for more possibilities to cook.

- ✓ Combi-Zone - Enables you to cook with large pots and roasting pans.
- ✓ touchControl - Conveniently control your cooktop by touching the display.
- ✓ powerBoost – Increases the power of an induction zone.
- ✓ Safely shuts off the cooking zone - Timer with switch-off function.
- ✓ Child safety lock - Safely prevents unintentional switch-on.

Features	
Technical Data	
Product name/family: Cooking zone ceramic
Design: Built-in
Source of energy: Electric
Total number of positions that can be used at the same time:	4
Required niche size for installation (HxWxD): 51 x 560-560 x 490-500 mm
Width of the appliance: 592 mm
Dimensions: 51x592x522 mm
Dimensions of the packed product (HxWxD): 126x753x608 mm
Net weight: 10.3 kg
Gross weight: 11.4 kg
Residual heat indicator: yes
Location of control panel: Front
Basic surface material: Ceramic
Color of surface: Black
Length electrical supply cord: 110 cm
Sealed Burners: No
powerBoost: All cooking zones
Power of 2nd heating element (kW): 3000 W
Power of 5th heating element (kW): 1400.0 W
Power of heating element (kW in boost): [3.0] kW
Power of 5th heating element (kW in boost): [2.2] kW
Connection rating: 4600 W
Voltage: 220-240 V
Frequency: 50; 60 Hz
Source of energy: Electric
Plug type: No plug (electrical connection by electrician)
Appliance Dimensions (h x w x d) (in): x x
Dimensions of the packed product: 4.96 x 23.93 x 29.64
Net weight: 23.000 lbs
Gross weight: 25.000 lbs
Total number of positions that can be used at the same time:	4
Length electrical supply cord: 110 cm
Required niche size for installation (HxWxD): 51 x 560-560 x 490-500 mm
Dimensions: 51x592x522 mm
Dimensions of the packed product (HxWxD): 126x753x608 mm
Net weight: 10.3 kg
Gross weight: 11.4 kg



iQ500, Induction hob, 60 cm, surface mount without frame EE611BPB5E

Features

- 60 cm: space for 4 pots

Flexibility of cooking zones

- combiZone
- : use bigger cookware by connecting two classic cooking zones into one large zone.
- Cooking zone front left: 180 mm, 1.8 KW (max. power 3 KW)
- Cooking zone rear left: 180 mm, 1.8 KW (max. power 3 KW)
- Cooking zone rear right: 145 mm , 1.4 KW (max power 2.2 KW)
- Cooking zone front right: 210 mm, 2.2 KW (max. power 3 KW)

Usage convenience

- touchControl: control the power with imprinted +/- touch buttons.
- 17 power levels: precisely adapt the heat with 17 power levels (9 main levels and 8 intermediate levels).
- Switch-off timer (on appliance): switches off the cooking zone at the end of the time set (e.g. for boiled eggs).
- Count-down timer: an alarm sounds at the end of the time set (e.g. for pasta).

Time saving & efficiency

- powerBoost for all zones: boil water more quickly thanks to 50% more energy than at the highest standard level.
- quickStart Function: when switching on, the hob automatically selects the cooking zone with cookware (placed in off-mode).
- reStart Function: in case of unintentional switch-off, restore all previous settings by switching on the hob again within 4 seconds.
- quickStop: quickly switch off a cooking zone with one longer touch.

Design

- Frameless: classy, slightly raised installation without metal trim

Safety

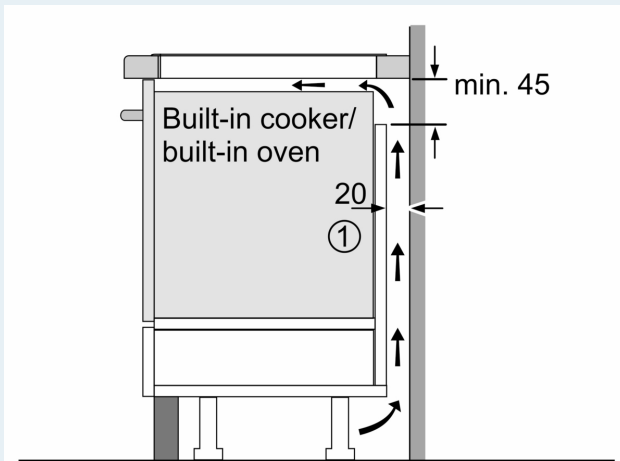
- Residual heat indicator (2 stage): indicates which cooking zones are still hot or warm.
- Childproof lock: prevent unintended activation of the hob.
- Main Switch: switch off all cooking zones at the touch of a button.
- Safety switch-off: for safety reasons, heating stops after a preset time without interaction.

Installation

- Dimensions of the product (HxWxD mm): 51 x 592 x 522
- Required niche size for installation (HxWxD mm) : 51 x 560 x (490 - 500)
- Min. worktop thickness: 16 mm
- Connected load: 4600 W
- powerManagement function: limit the maximum power if needed (depends on fuse protection of electric installation).
- Power cord: 1.1 m without plug, connected directly (electrical connection by electrician necessary)

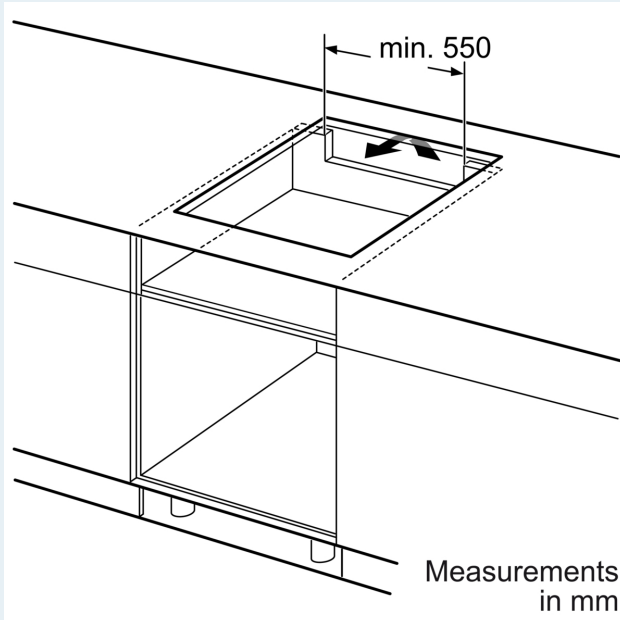
iQ500, Induction hob, 60 cm, surface mount without frame EE611BPB5E

Dimensioned drawings

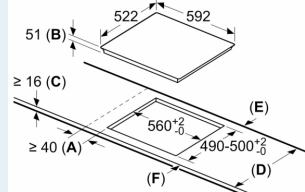


①
Ventilation gap must
be present

All measurements in mm



measurements in mm



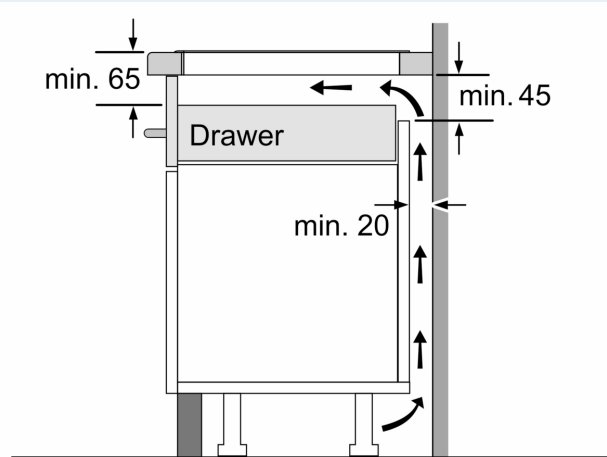
A: Minimum distance from the hob cut-out to the wall.

B: Recessed depth

C: The clearance between the surface of the worktop and the top of the front of the oven must be 30 mm. See space requirements for the oven.

The worktop into which the hob is installed must withstand loads of approx. 60 kg; suitable substructures must be used if required.

D	E	F
585-600	50	≥ 35
> 600	≥ 50	≥ 50



Measurements in mm