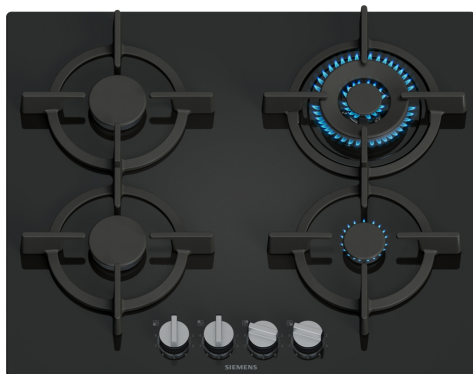


iQ500, Gas hob, 60 cm, Tempered glass, Black EP6A6HI10



Optional accessories

HZ298105	Simmer plate
HZ298107	Wok ring
HZ298114	Small pot support
HZ32WA00	wireless roastingSensor
HZ9SE040	4 pieces Set
HZ9SE060	6 pieces Set

Tempered glass gas hob with stepFlame Technology for precise flame control, with detachable knobs and pan supports suitable for dishwashers.

- ✓ stepFlame Technology: Precise flame control with nine different settings
- ✓ Detachable metallic sword knobs: Easily removable for easy cleaning and precise cooking control
- ✓ Individual cast iron pan support: Easy to handle and easy to clean
- ✓ Wok burner 3,5 kW: Go from simmer to stir-fry on one burner
- ✓ Black tempered glass surface: Extremely heat-resistant

Features

Technical Data

Product name/family: gas hob w integrated controls
 Design: Built-in
 Source of energy: Gas
 Total number of positions that can be used at the same time: 4
 Required niche size for installation (HxWxD):45 x 560-560 x 480-490 mm
 Width of the appliance: 590 mm
 Dimensions: 45x590x520 mm
 Dimensions of the packed product (HxWxD):150x650x580 mm
 Net weight: 14.4 kg
 Gross weight: 15.6 kg
 Residual heat indicator: No
 Location of control panel: Front
 Basic surface material: Tempered glass
 Color of surface: Black
 Color of frame: Black
 Length electrical supply cord: 100 cm
 Knob Material: Full metal
 Sealed Burners: No
 Type of pan support: Elongated cast iron pan support
 Power of heating element (kW): 1750.00 W
 Power of 3rd heating element (kW): 1750.00 W
 Power of 5th heating element (kW): 3500.0 W
 Connection rating: 1 W
 Gas connection rating: 8000 W
 Fuse protection: 3 A
 Voltage: 220-240 V
 Frequency: 50; 60 Hz
 Source of energy: Gas
 Gas type preset: Nat gas H/E(L) 20 (25) mbar
 Certified gas types: Liquid gas G30,31 28-30/37mbar
 Plug type: No plug (electrical connection by electrician)
 Appliance Dimensions (h x w x d) (in): x x
 Dimensions of the packed product: 5.90 x 22.83 x 25.59
 Net weight: 32.000 lbs
 Gross weight: 34.000 lbs
 Total number of positions that can be used at the same time: 4
 Length electrical supply cord: 100 cm
 Required niche size for installation (HxWxD):45 x 560-560 x 480-490 mm
 Dimensions: 45x590x520 mm
 Dimensions of the packed product (HxWxD):150x650x580 mm
 Net weight: 14.4 kg
 Gross weight: 15.6 kg



iQ500, Gas hob, 60 cm, Tempered glass, Black EP6A6HI10

Features

Design

- Tempered glass hob surface, black
- Two built-in options: install the hob either flush or slightly raised on the worktop
- Cast iron single pan supports
- Metal knobs

Usage convenience

- stepFlame Technology: precisely adjust the flame in nine defined and repeatable levels.
- Sword knobs, front: easily access knobs in front with strong grip for effortless turning.
- Automatic ignition via control knobs: just push and turn the knob to ignite the flame.

Burners and power

- 4 Gas burners
- Left front: Standard burner up to 1.75 KW (depending on gas type)
- Left rear: Standard burner up to 1.75 KW (depending on gas type)
- Right rear: Wok burner up to 3.5 KW (depending on gas type)
- Right front: Economy burner up to 1 KW (depending on gas type)

Cleaning

- Removable knobs for easy cleaning between knobs.
- Dishwasher suitable pan supports for easy cleaning.

Safety

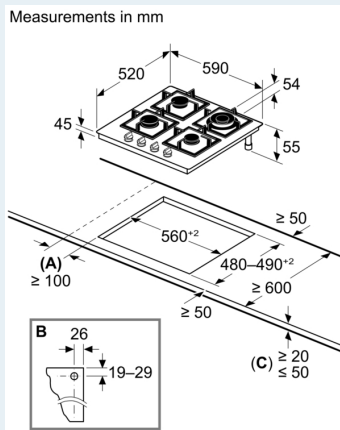
- Gas Safety Lock: prevents unwanted gas flow when flame goes out.

Installation (gas types & measurements)

- Usable for: NG H/E 20mbar, E+ 20/25mbar
- Preset for natural gas (20mbar)
- Nozzle set for Preset for natural gas (20mbar). Nozzles for all other gas types can be ordered via the customer service. For nozzle change, please contact the customer service.
- Dimensions of the product (HxWxD mm): 54 x 590 x 520
- Required niche size for installation (HxWxD mm) : 45 x 560 x (480 - 490)
- Required niche size for flush installation (HxWxD mm): 45 x 594 x 524
- Min. worktop thickness: 20 mm
- For raised installation, it is possible to install in worktops that are between 12 mm and 20 mm by using a spacer, which is available from technical customer service.
- If installed flush, minimum worktop thickness is 30 mm.
- Power cord: 1 m
- Connected load: 8 KW

iQ500, Gas hob, 60 cm, Tempered glass, Black
EP6A6HI10

Dimensioned drawings



A: Min. distance from the hob cut-out to the wall

B: Position of gas connection in the cut-out

C: With fitted oven underneath possibly more; see space requirements for the oven

For worktop thickness between 12 mm to 20 mm need additional spacer, contact customer service for details