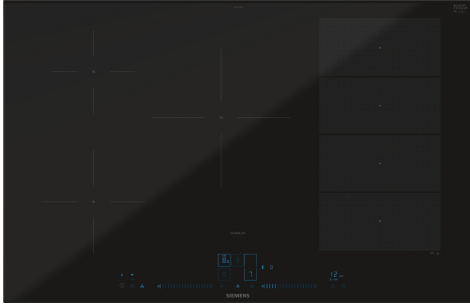


**iQ700, Flex induction hob, 80 cm,
surface mount with frame
EX870Nvv6E**



Optional accessories

HZ390512 Teppan Yaki (large), HZ390522 Griddle Plate, HZ394301 Connecting strip, HZ9CF240 Fry pan, coated 24cm Ø, HZ9CF280 Fry pan, coated 28cm Ø, HZ9ES100 Espresso maker 4 cups, HZ9FE280 Iron pan Ø 18 / 28 cm, HZ9FF010 Flex Pan, large, HZ9FF030 Flex Pan set, 3 pcs., HZ9FF040 Flex Pan set, 4 pcs., HZ9SE030 Set of 2 pots and 1 pan, HZ9SE040 4 pieces Set, HZ9SE060 6 pieces Set, HZ9TY010 Teppan Yaki, HZ32WA00 wireless roastingSensor

The modern flexInduction cooktop - for greater flexibility when cooking.

- ✓ flexInduction – Smart cooking zone that adapts to your cookware.
- ✓ diamondProtect- Keeps your hob looking new and pristine, resisting everyday scratches.
- ✓ Home Connect - Integrate your hob into the intelligent kitchen.
- ✓ fryingSensor Plus – No more burning or scorching your meals.
- ✓ powerMove Plus - For convenient cooking thanks to 3 preset power levels.

Features

Technical Data

Product name/family: Cooking zone ceramic
 Design: Built-in
 Source of energy: Electric
 Total number of positions that can be used at the same time: 5
 Required niche size for installation (HxWxD): 51 x 750-780 x 490-500 mm
 Width of the appliance: 812 mm
 Dimensions: 51x812x520 mm
 Dimensions of the packed product (HxWxD): 120x950x600 mm
 Net weight: 16.2 kg
 Gross weight: 17.6 kg
 Residual heat indicator: yes
 Location of control panel: Front
 Basic surface material: Ceramic
 Color of surface: Black
 Length electrical supply cord: 110 cm
 Sealed Burners: No
 powerBoost: All cooking zones
 Power of heating element (kW): 1800.0 W
 Power of 3rd heating element (kW): 1400.0 W
 Power of heating element (kW in boost): [3.1] kW
 Power of 3rd heating element (kW in boost): [2.2] kW
 Connection rating: 7400 W
 Voltage: 220-240 V
 Frequency: 50-60 Hz
 Source of energy: Electric
 Plug type: No plug (electrical connection by electrician)
 Appliance Dimensions (h x w x d) (in): x x
 Dimensions of the packed product: 4.72 x 23.62 x 37.40
 Net weight: 36.000 lbs
 Gross weight: 39.000 lbs
 Total number of positions that can be used at the same time: 5
 Length electrical supply cord: 110 cm
 Required niche size for installation (HxWxD): 51 x 750-780 x 490-500 mm
 Dimensions: 51x812x520 mm
 Dimensions of the packed product (HxWxD): 120x950x600 mm
 Net weight: 16.2 kg
 Gross weight: 17.6 kg



iQ700, Flex induction hob, 80 cm, surface mount with frame EX870Nvv6E

Features

- 80 cm: space for 5 pots

Flexibility of cooking zones

- flexZone: use cookware of any shape or size anywhere within the 40cm long zone.
- Cooking zone front left: 180 mm, 1.8 KW (max. power 3.1 KW)
- Cooking zone rear left: 145 mm, 1.4 KW (max. power 2.2 KW)
- Cooking zone rear middle: 240 mm, 2.2 KW (max. power 3.7 KW)
- Cooking zone rear right: 200 mm, 210 mm , 2.2 KW (max power 3.7 KW)
- Cooking zone front right: 200 mm, 210 mm, 2.2 KW (max. power 3.7 KW)

Usage convenience

- Dual lightSlider: directly control the power on the two illuminated touch bars (invisible when switched off).
- 17 power levels: precisely adapt the heat with 17 power levels (9 main levels and 8 intermediate levels).
- Keep warm function for all cooking zones: keep dishes warm at preset low power level.
- Switch-off timer (on appliance): switches off the cooking zone at the end of the time set (e.g. for boiled eggs).
- Count-down timer: an alarm sounds at the end of the time set (e.g. for pasta).
- Stopwatch: shows how much time has passed since starting the timer (e.g. for potatoes).

Time saving & efficiency

- powerBoost for all zones: boil water more quickly thanks to 50% more energy than at the highest standard level.
- panBoost: heat up pans more quickly than at the highest standard level while protecting the pan coating.
- Automatic join split: when placing large cookware on the Flex zone, the hob automatically connects two cooking zones into a large continuous one.
- powerMove Plus (3 levels): increase or decrease the power level simply by moving the pot forwards or backwards.
- flexMotion: when moving a pot to a different cooking zone (Flex zone), transfer all previous settings to the new zone at the touch of a button.
- Automatic zone selection: when switched on, the hob automatically selects the Flex cooking zone on which a new cookware is placed.
- When moving a pot on the Flex zone, the settings adjust instantly and the cooking zone adapts to the size of the cookware
- quickStart Function: when switching on, the hob automatically selects the cooking zone with cookware (placed in off-mode).
- reStart Function: in case of unintentional switch-off, restore all previous settings by switching on the hob again within 4 seconds.

Cooking assistance

- fryingSensor Plus with 5 temperature settings: prevents scorching with the automatic temperature regulation of the integrated sensor.
- only via HC app: easily find the right temperature setting for a certain dish via the Home Connect app.

Connectivity

- Home Connect (only in countries where Home Connect service is available): check if the hob is switched off even when not at home, and find recipes or additional functions in the Home Connect app.
- cookConnect system (with matching hood): automatically activates the hood when cooking, thanks to the WiFi connection of hob and Home Connect hood (connected to Home Connect account).

Design

- diamondProtect: scratch-resistant glass ceramics.
- For an optimal visual appearance, we recommend the light sources halogen, LED or daylight. Neon light & energy saving bulbs are not recommended.
- Side profiles, Studio Line, black design
- studioLine exclusive zone printing: minimalistic design thanks to dark colour of zone printing.

Safety

- Residual heat indicator (2 stage): indicates which cooking zones are still hot or warm.
- Childproof lock: prevent unintended activation of the hob.
- Wipe protection function: wipe overboiled liquids without unintentionally changing settings (blocking all touch buttons for 30 seconds).
- Main Switch: switch off all cooking zones at the touch of a button.
- Safety switch-off: for safety reasons, heating stops after a preset time without interaction.
- Energy consumption display: shows the electricity consumption of the last cooking process.

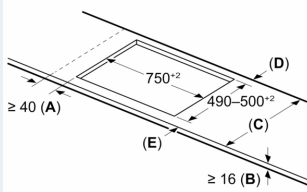
Installation

- Dimensions of the product (HxWxD mm): 51 x 812 x 520
- Required niche size for installation (HxWxD mm) : 51 x 750 x (490 - 500)
- Min. worktop thickness: 16 mm
- Connected load: 7400 W
- powerManagement function: limit the maximum power if needed (depends on fuse protection of electric installation).
- Power cord: 1.1 m without plug, loose insert in packaging (electrical connection by electrician necessary)

iQ700, Flex induction hob, 80 cm,
surface mount with frame
EX870NVV6E

Dimensioned drawings

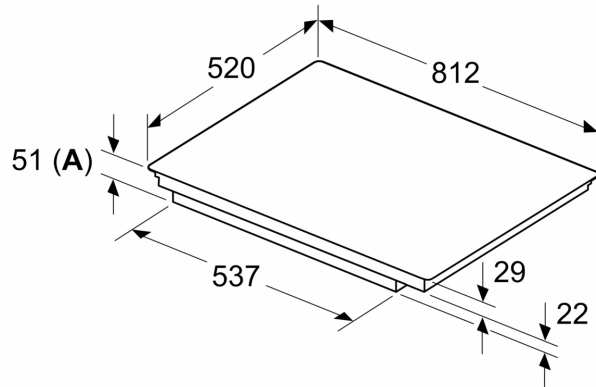
Measurements in mm



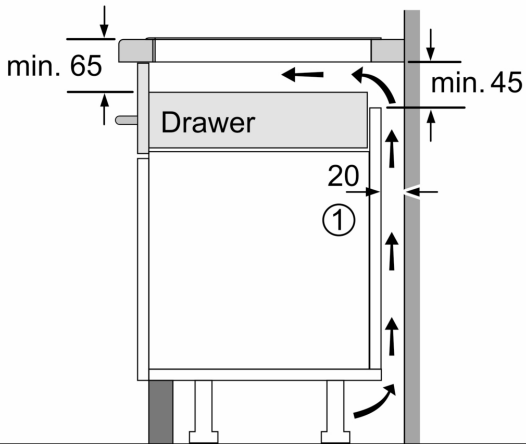
A: Min. distance from the hob cut-out to the wall
 B: The clearance between the surface of the worktop and the top of the front of the oven must be 30 mm
 See space requirements for the oven
 The worktop into which the hob is installed must withstand loads of approx. 60 kg; suitable substructures must be used if required

C	D	E
585-600	50	≥ 35
> 600	≥ 50	≥ 50

Measurements in mm

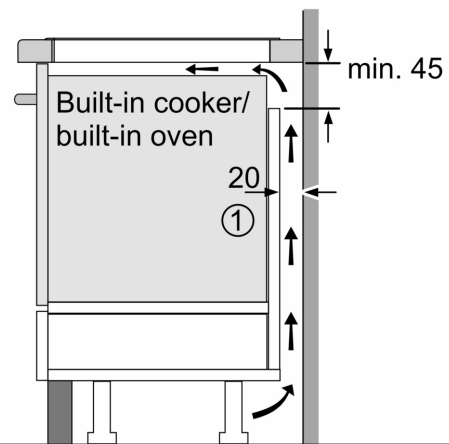


A: Recessed depth



① Ventilation gap must be present.

Measurements in mm



① Ventilation gap must be present

All measurements in mm

Dimensioned drawings

