

**iQ700, Flex induction hob, 80 cm,  
Matt black, surface mount with  
frame  
EX87BNYV6E**



**Optional accessories**

HZ32WA00 wireless roastingSensor, HZ390512 Teppan Yaki (large), HZ390522 Griddle Plate, HZ394301 Connecting strip, HZ9CF240 Fry pan, coated 24cm Ø, HZ9CF280 Fry pan, coated 28cm Ø, HZ9ES100 Espresso maker 4 cups, HZ9FE280 Iron pan Ø 18 / 28 cm, HZ9FF010 Flex Pan, large, HZ9FF030 Flex Pan set, 3 pcs., HZ9FF040 Flex Pan set, 4 pcs., HZ9SE030 Set of 2 pots and 1 pan, HZ9SE040 4 pieces Set, HZ9SE060 6 pieces Set, HZ9TY010 Teppan Yaki

The modern flexInduction cooktop - for greater flexibility when cooking.

- ✓ Matt Edition: Less visible scratches\*, fingerprint-resistant and easy to clean
- ✓ Matt Edition: The matt finish is fingerprint resistant.
- ✓ Matt Edition: Fast cleaning without streaks.
- ✓ flexInduction Plus – Smart, extendable cooking zone adapts to your cookware.
- ✓ Blue dual lightSlider – Elegant touch and slide control.

**Features**

**Technical Data**

Product name/family: ..... Cooking zone ceramic  
 Design: ..... Built-in  
 Source of energy: ..... Electric  
 Total number of positions that can be used at the same time: 4  
 Required niche size for installation (HxWxD): ..... 51 x 750-780 x 490-500 mm  
 Width of the appliance: ..... 812 mm  
 Dimensions: ..... 51x812x520 mm  
 Dimensions of the packed product (HxWxD): ..... 125x950x600 mm  
 Net weight: ..... 16.6 kg  
 Gross weight: ..... 18.0 kg  
 Residual heat indicator: .....yes  
 Location of control panel: ..... Front  
 Basic surface material: ..... Ceramic  
 Color of surface: ..... Matt black  
 Length electrical supply cord: ..... 110 cm  
 Sealed Burners: ..... No  
 powerBoost: .....All cooking zones  
 Power of 2nd heating element (kW): ..... 3300.0 W  
 Power of heating element (kW in boost): ..... [3.7] kW  
 Power of 6th heating element (kW in boost): ..... 3.7 kW  
 Connection rating: ..... 7400 W  
 Voltage: ..... 220-240 V  
 Frequency: ..... 50-60 Hz  
 Source of energy: ..... Electric  
 Plug type: ..... No plug (electrical connection by electrician)  
 Appliance Dimensions (h x w x d) (in): ..... x x  
 Dimensions of the packed product: ..... 4.92 x 23.62 x 37.40  
 Net weight: ..... 37.000 lbs  
 Gross weight: ..... 40.000 lbs  
 Total number of positions that can be used at the same time: 4  
 Length electrical supply cord: ..... 110 cm  
 Required niche size for installation (HxWxD): ..... 51 x 750-780 x 490-500 mm  
 Dimensions: ..... 51x812x520 mm  
 Dimensions of the packed product (HxWxD): ..... 125x950x600 mm  
 Net weight: ..... 16.6 kg  
 Gross weight: ..... 18.0 kg



## iQ700, Flex induction hob, 80 cm, Matt black, surface mount with frame EX87BNYV6E

### Features

- 80 cm: space for 4 pots

#### Flexibility of cooking zones

- 2 FlexZones extended: use cookware of any shape or size anywhere within the 40cm long zone or even place it laterally.
- Cooking zone front left: 200 mm, 230 mm, 2.2 KW (max. power 3.7 KW)
- Cooking zone rear left: 200 mm, 230 mm, 2.2 KW (max. power 3.7 KW)
- Cooking zone rear right: 200 mm, 230 mm, 2.2 KW (max power 3.7 KW)
- Cooking zone front right: 200 mm, 230 mm, 2.2 KW (max. power 3.7 KW)

#### Usage convenience

- Directly control the power on the two blue illuminated touch bars (invisible when switched off).
- 17 power levels: precisely adapt the heat with 17 power levels (9 main levels and 8 intermediate levels).
- Keep warm function for all cooking zones: keep dishes warm at preset low power level.
- Switch-off timer (on appliance): switches off the cooking zone at the end of the time set (e.g. for boiled eggs).
- Count-down timer: an alarm sounds at the end of the time set (e.g. for pasta).
- Stopwatch: shows how much time has passed since starting the timer (e.g. for potatoes).

#### Time saving & efficiency

- powerBoost for all zones: boil water more quickly thanks to 50% more energy than at the highest standard level.
- panBoost: heat up pans more quickly than at the highest standard level while protecting the pan coating.
- Automatic join split: when placing large cookware on the Flex zone, the hob automatically connects two cooking zones into a large continuous one.
- powerMove Plus (3 levels): increase or decrease the power level simply by moving the pot forwards or backwards.
- flexMotion: when moving a pot to a different cooking zone (Flex zone), transfer all previous settings to the new zone at the touch of a button.
- Automatic zone selection: when switched on, the hob automatically selects the Flex cooking zone on which a new cookware is placed.
- When moving a pot on the Flex zone, the settings adjust instantly and the cooking zone adapts to the size of the cookware
- quickStart Function: when switching on, the hob automatically selects the cooking zone with cookware (placed in off-mode).
- reStart Function: in case of unintentional switch-off, restore all previous settings by switching on the hob again within 4 seconds.

#### Cooking assistance

- fryingSensor Plus with 5 temperature settings: prevents scorching with the automatic temperature regulation of the integrated sensor.

- only via HC app: easily find the right temperature setting for a certain dish via the Home Connect app.

#### Connectivity

- Home Connect (only in countries where Home Connect service is available): check if the hob is switched off even when not at home, and find recipes or additional functions in the Home Connect app.
- cookConnect system (with matching hood): automatically activates the hood when cooking, thanks to the WiFi connection of hob and Home Connect hood (connected to Home Connect account).

#### Design

- Matt Edition: elegant, matt glass ceramic design which is less susceptible to visible scratches and fingerprints.
- Side profiles, Studio Line, black design
- studioLine exclusive zone printing: minimalistic design thanks to dark colour of zone printing.

#### Safety

- Residual heat indicator (2 stage): indicates which cooking zones are still hot or warm.
- Childproof lock: prevent unintended activation of the hob.
- Wipe protection function: wipe overboiled liquids without unintentionally changing settings (blocking all touch buttons for 30 seconds).
- Main Switch: switch off all cooking zones at the touch of a button.
- Safety switch-off: for safety reasons, heating stops after a preset time without interaction.
- Energy consumption display: shows the electricity consumption of the last cooking process.

#### Installation

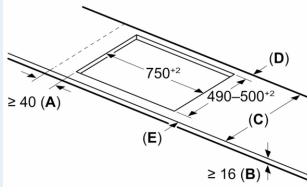
- Dimensions of the product (HxWxD mm): 51 x 812 x 520
- Required niche size for installation (HxWxD mm) : 51 x 750 x (490 - 500)
- Min. worktop thickness: 16 mm
- Connected load: 7400 W
- powerManagement function: limit the maximum power if needed (depends on fuse protection of electric installation).
- Power cord: 1.1 m without plug, loose insert in packaging (electrical connection by electrician necessary)

#### Accessories

iQ700, Flex induction hob, 80 cm,  
 Matt black, surface mount with  
 frame  
 EX87BNYV6E

Dimensioned drawings

Measurements in mm



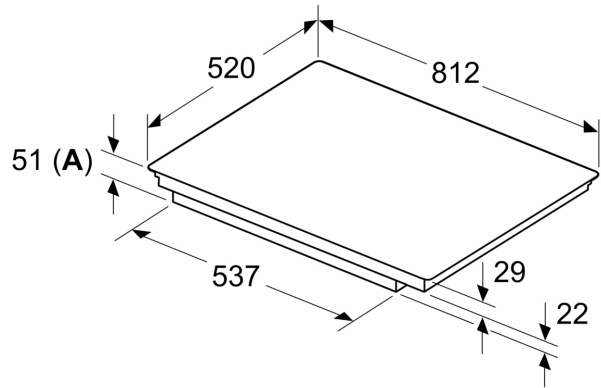
A: Min. distance from the hob cut-out to the wall  
 B: The clearance between the surface of the worktop and the top of the front of the oven must be 30 mm

See space requirements for the oven

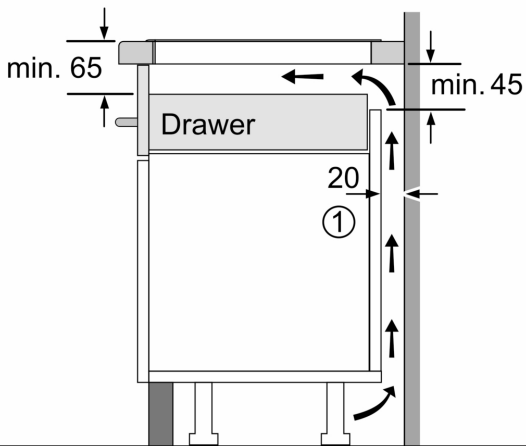
The worktop into which the hob is installed must withstand loads of approx. 60 kg; suitable substructures must be used if required

C	D	E
585-600	50	≥ 35
> 600	≥ 50	≥ 50

Measurements in mm

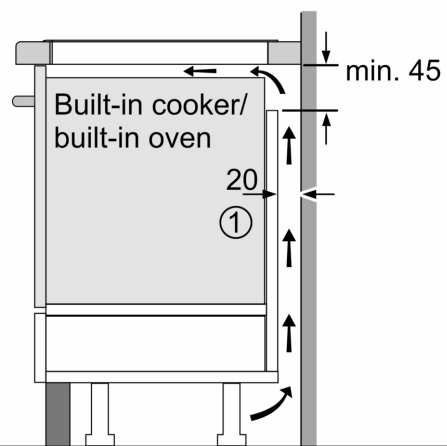


A: Recessed depth



① Ventilation gap must be present.

Measurements in mm



① Ventilation gap must be present

All measurements in mm

Dimensioned drawings

