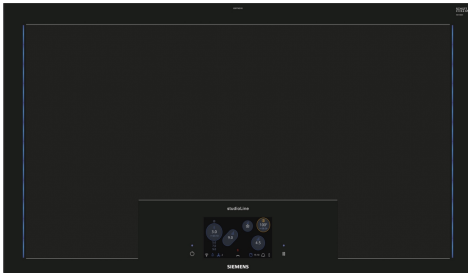


iQ700, Full surface induction hob, 90 cm, surface mount with frame EZ977KZY1E



Optional accessories	
HZ32WA00	wireless roastingSensor
HZ390240	Paella pan Ø 31 cm
HZ39050	Wireless temperature sensor for cooktop
HZ390512	Teppan Yaki (large)
HZ394301	Connecting strip
HZ9ES100	Espresso maker 4 cups
HZ9FE280	Iron pan Ø 18 / 28 cm
HZ9SE030	Set of 2 pots and 1 pan
HZ9SE040	4 pieces Set
HZ9SE060	6 pieces Set

The freeInduction Plus cooktop with activeLight and Home Connect for maximum flexibility.

- ✓ TFT-Touchdisplay Plus - For easy operation and good readability from any perspective.
- ✓ activeLight Plus - Sleek blue light bars give you intuitive visual feedback on where heat is applied and the selected settings.
- ✓ Home Connect - Integrate your hob into the intelligent kitchen.
- ✓ cookingSensor Plus - Precisely maintaining the chosen temperature to avoid overboiling.
- ✓ powerMove Pro - For convenient cooking thanks to five preset power levels.

Features

Technical Data

Product name/family: Cooking zone ceramic
 Design: Built-in
 Source of energy: Electric
 Total number of positions that can be used at the same time: 6
 Required niche size for installation (HxWxD): 61 x 880-880 x 490-500 mm
 Width of the appliance: 912 mm
 Dimensions: 61x912x520 mm
 Dimensions of the packed product (HxWxD): 152x1081x636 mm
 Net weight: 30.0 kg
 Gross weight: 33.5 kg
 Residual heat indicator: yes
 Location of control panel: Front
 Color of surface: Black
 Length electrical supply cord: 150 cm
 Sealed Burners: No
 powerBoost: All cooking zones
 Power of heating element (kW): 3500.0 W
 Power of heating element (kW in boost): [5.5] kW
 Connection rating: 7400 W
 Voltage: 220-240 V
 Frequency: 50; 60 Hz
 Source of energy: Electric
 Plug type: No plug (electrical connection by electrician)
 Appliance Dimensions (h x w x d) (in): x x
 Dimensions of the packed product: 5.98 x 25.03 x 42.55
 Net weight: 66.000 lbs
 Gross weight: 74.000 lbs
 Total number of positions that can be used at the same time: 6
 Length electrical supply cord: 150 cm
 Required niche size for installation (HxWxD): 61 x 880-880 x 490-500 mm
 Dimensions: 61x912x520 mm
 Dimensions of the packed product (HxWxD): 152x1081x636 mm
 Net weight: 30.0 kg
 Gross weight: 33.5 kg



iQ700, Full surface induction hob, 90 cm, surface mount with frame EZ977KZY1E

Features

- 90 cm: space for 6 pots

Flexibility of cooking zones

- freeInduction: use cookware of any shape or size anywhere on the whole hob surface.
- One continuous cooking zone with 3.200 cm²

Usage convenience

- TFT-Touchdisplay Plus (6.2"): easily operate the hob using the touch display and explore all available functions thanks to full-text information and images.
- activeLight Plus: light elements change colours to indicate different cooking modes for each cookware or residual heat.
- 17 power levels: precisely adapt the heat with 17 power levels (9 main levels and 8 intermediate levels).
- Keep warm function for all cooking zones: keep dishes warm at preset low power level.
- Switch off timer for every cooking zone
- : switches off the cooking zone at the end of the time set (e.g. for boiled eggs).
- Count-down timer
- : an alarm sounds at the end of the time set (e.g. for pasta).
- Count-up timer
- : shows how much time has passed since starting the timer (e.g. for potatoes).

Time saving & efficiency

- powerBoost for all zones: boil water more quickly thanks to 50% more energy than at the highest standard level.
- panBoost: heat up pans more quickly than at the highest standard level while protecting the pan coating.
- powerMove Pro: increase or decrease the power level simply by moving the pot forwards or backwards (5 levels).
- flexMotion: when moving a pot to a different cooking zone (Flex zone), transfer all previous settings to the new zone at the touch of a button.
- quickStart Function: when switching on, the hob automatically selects the cooking zone with cookware (placed in off-mode).
- reStart Function: in case of unintentional switch-off, restore all previous settings by switching on the hob again within 4 seconds.

Cooking assistance

- Meal assistant: easily find the right temperature setting for a certain dish in the touch display.
- cookingSensor Plus: prevents overboiling of pots with the automatic temperature regulation of the pot-attached sensor.

Connectivity

- Home Connect (only in countries where Home Connect service is available): check if the hob is switched off even when not at home, and find recipes or additional functions in the Home Connect app.
- cookConnect system (with matching hood): automatically activates the hood when cooking, thanks to the WiFi connection of hob and Home Connect hood (connected to Home Connect account).

Design

- Side profiles, Studio Line, black design
- studioLine exclusive zone printing: minimalistic design thanks to dark colour of zone printing.

Safety

- 3 stage residual heat indicator: indicates which cooking zones are still hot or warm.
- Childproof lock: prevent unintended activation of the hob.
- Pause function: pause the heating process, e.g to answer the door.
- Main Switch: switch off all cooking zones at the touch of a button.
- Safety switch-off: for safety reasons, heating stops after a preset time without interaction.

Installation

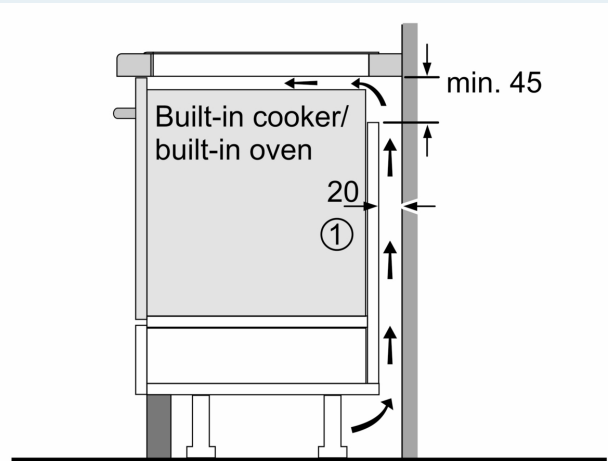
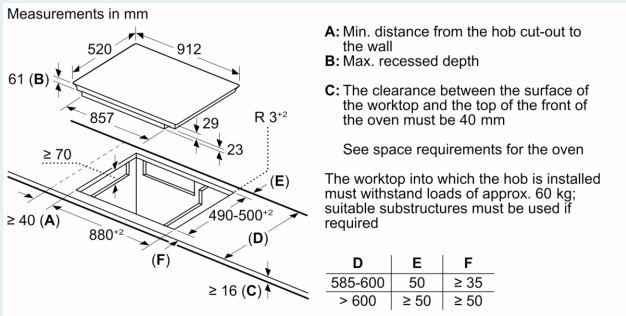
- Dimensions of the product (HxWxD mm): 61 x 912 x 520
- Required niche size for installation (HxWxD mm) : 61 x 880 x (490 - 500)
- Min. worktop thickness: 16 mm
- Connected load: 7400 W
- powerManagement function: limit the maximum power if needed (depends on fuse protection of electric installation).
- Power cord: 1.5 m without plug, connected directly (electrical connection by electrician necessary)

Accessories

- wireless temperature sensor for cooktop included

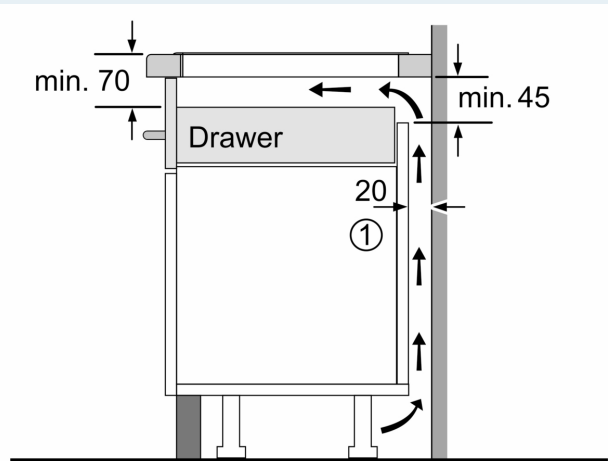
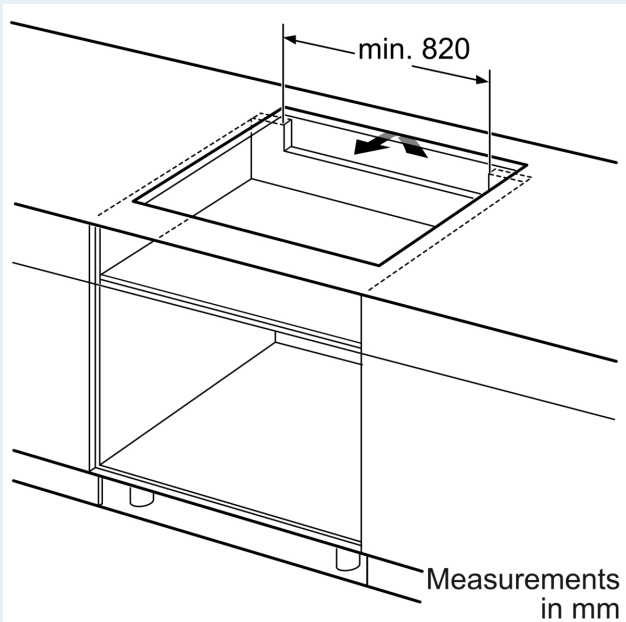
**iQ700, Full surface induction hob,
90 cm, surface mount with frame
EZ977KZY1E**

Dimensioned drawings



① Ventilation gap must be present

All measurements in mm



① Ventilation gap must be present.

Measurement in mm