

iQ500, 71.2 x 55.8 cm, soft close flat hinge GI11VADE0



built-in freezer with 3 handy transparent freezer drawers and superFreezing for freezing foods faster.

- ✓ Less icing saves energy and effort for defrosting – lowFrost.
- ✓ softClosing: Your fridge door, always properly closed.
- ✓ 3 transparent freezer drawers for plenty of space and an optimum overview.
- ✓ Made in Germany – A promise of top quality, state-of-the-art design and innovative features.
- ✓ Extended Spare Parts availability: Powering appliance endurance.

Features



Included accessories	
1 x ice cube tray	
Optional accessories	
KF10ZAX0	Door panel with decor frame
KU20ZSX0	Attachment door, stainless steel

Energy Efficiency Class (Regulation (EU) 2017/1369)¹: E
 Average annual energy consumption in kilowatt hour per year (kWh/a)²: 167 kWh/annum
 Sum of volume of frozen compartments: 72 l
 Airborne acoustical noise emissions : 36 dB(A) re 1pW
 Airborne acoustical noise emission class: C
 Product category: Upright freezer
 Design: Built-in
 Frost free system: Not applicable
 Climate class: SN-T
 Door panel options: Not possible
 Width of the appliance: 558 mm
 Depth: 545 mm
 Dimensions of the packed product (HxWxD): 790x620x640 mm
 Required niche size for installation (HxWxD): 720x560x550 mm
 Warning signal / malfunction: Both visual and audible
 Defrost: manual
 Cover door installation system: Fixed-mounted
 Number of drawers/baskets (Stck): 3
 Number of freezing flaps (Stck): 0
 Lockable door: No
 Thermometer freeze section: Not applicable
 Light: No
 Length electrical supply cord: 230 cm
 Door hinge: Right reversible
 Net weight: 35.7 kg
 Gross weight: 38.0 kg
 Multi-Flow Air Tower: No
 Number of compressors: 1
 Number of independent cooling systems: 1
 Economy setting: No
 Fast freezing function: Yes
 Door bin adjustability - Freezer: No
 Tilt-out door bins in freezer: No
 Door bin adjustability - Freezer: No
 Reversible Door Hinge: Yes
 Connection rating: 90 W
 Fuse protection: 10 A
 Frequency: 50 Hz
 Door panel options: Not possible
 Installation typology: Full-integrated
 Noise level: 36 dB(A) re 1pW
 ENERGY STAR® certified: No
 Plug type: GARDY plug w/ earthing
 Required cutout/niche size for installation (in): x
 Dimensions of the packed product: 31.10 x 24.40 x 25.19
 Net weight: 79.000 lbs
 Gross weight: 84.000 lbs
 Included accessories: 1 x ice cube tray



¹ Scale of Energy Efficiency Classes from A to G
² Based on the results of the standard 24-hour test. Actual consumption depends on usage/position of the appliance.

iQ500, 71.2 x 55.8 cm, soft close flat hinge GI11VADE0

Features

Technical data

Other data

- Brand: Siemens
- Product name / Commercial code: GI11VADE0
- Internal article number: GI11VADE0
- EAN code: 4242003840108
- Product category: Upright freezer
- Design: Built-in
- Is this appliance intended to be built-in
- Installation typology: Full-integrated
- Product type: One-door
- Door panel options: Not possible
- Connection rating: 90 W
- Fuse protection: 10 A
- Voltage: 220-240 V
- Frequency: 50 Hz
- Plug type: Gardy plug w/ earthing
- Star Rating: 4
- Total unit gross capacity: 73 l
- Total unit gross capacity Iran: 2.6 Cu Ft
- Total unit net capacity: 72 l
- Total unit net capacity Iran: 2.5 Cu Ft
- Width of the appliance: 558 mm
- Depth: 545 mm
- Depth with open door 90 degree: 1140 mm
- Height of the packed product: 790 mm
- Width of the packed product: 620 mm
- Depth of the packed product: 640 mm
- Minimum height for installation: 720 mm
- Maximum height for installation: 720 mm
- Minimum width for installation: 560 mm
- Maximum width for installation: 560 mm
- Depth for installation: 550 mm
- Gross weight: 38.0 kg
- Energy efficiency¹: A++: very efficient
- Energy consumption annual - NEW (2010/30/EC): 144.00 kWh/annum
- Freezer Net capacity - NEW (2010/30/EC): 72 l
- Freezing capacity (kg/24h) (2010/30/EU): 8 kg/24h
- Storage Period in Event of Power Failure (h): 13 h
- Temperature rise time (h): 13 h
- Minimum ambient temperature: 10 °C
- Maximum ambient temperature: 43 °C
- Noise level: 36 dB(A) re 1pW
- QR Code: [HTTPS://EPREL.EC.EUROPA.EU/QR/260161](https://eprel.ec.europa.eu/qr/260161)
- Energy Efficiency Class (Regulation (EU) 2017/1369)²: E
- Airborne acoustical noise emissions : 36 dB(A) re 1pW

- Airborne acoustical noise emission class: C
- Average annual energy consumption in kilowatt hour per year (kWh/a)³: 167 kWh/annum
- Sum of volume of frozen compartments: 72 l
- Sum of volume of chill compartments: 0 l
- Product outside the scope of "low noise appliance" and "wine storage appliance"
- Climate Class: Extended temperate, Subtropical, Temperate, tropical
- Minimum ambient temperature: 10 °C
- Maximum ambient temperature: 43 °C
- Fast freezing function
- Compartment Volume (4-Star): 72.0 l
- Recommended Temperature (4-Star): -18 °C
- Freezing Capacity (4-star Compartment): 4.4 kg/24h
- Defrosting Type (4-Star): Manual
- Fast freezing function
- Total volume of the product: 72 l
- Energy Efficiency Index: 99
- 4-star
- List compartments: 4 star
- Warning signal / malfunction: Both visual and audible
- Defrost: manual
- Temperature adjustable
- Door hinge: Right reversible
- Cover door installation system: Fixed-mounted
- Number of drawers/baskets (Stck): 3
- Number of freezing flaps (Stck): 0
- Included accessories: 1 x ice cube tray
- Optional accessories: KF10ZAX0, KU20ZSX0
- Reversible Door Hinge
- Number of compressors: 1
- Number of independent cooling systems: 1
- Depth: 54 cm
- Required cutout/niche size for installation (in): x
- Net weight: 79.000 lbs
- Gross weight: 84.000 lbs
- Width: 56 cm
- Dimensions of the packed product: 31.10 x 24.40 x 25.19 "
- Width of the packed product: 24.41 "
- Depth of the packed product: 25.2 "
- Height of the packed product: 31.1 "
- Height: 71 cm
- Shelf Adjustability - Freezer
- Product Class: iQ500
- Energy label version: 2017
- Type of appliance width: 55 cm
- Hinge type: soft close flat hinge
- Width type US: 22 Inch

Features

- Cold appliance: Isobutane
- Net weight: 35.7 kg
- Height: 71 cm
- Height of the appliance: 712 mm
- Height: 71.2 cm
- Dimensions of the packed product: 79 x 62 x 64 cm
- Dimensions: 712x558x545 mm
- Depth: 54.5 cm
- Required niche size for installation (HxWxD): 720x560x550 mm
- Total capacity of 1-star, 2-star, 3-star and 4-star freezer compartments: 0 l
- Chemical Tax Classification: 0 %
- Width of the appliance: 55.8 cm
- Length electrical supply cord: 230 cm
- Climate class: SN-T
- Over and under ability
- Made in Germany
- Supplier address TR19: BSH Ev Aletleri Sanayi ve Ticaret A.Ş. FSM Mah. Balkan Cad. 51, 34771 Ümraniye İstanbul, Türkiye<
- Fixed hinge<
- superFreezing<
- freshSense<
- softclosingdoor<
- Type of control setting and signalling devices: Button<
- Type of control: Electronic<
- Door handle type: no handle<
- Energy efficiency rating China: X<
- EAN Barcode: '!2E20AD-ieabai!<
- Household refrigerating appliances categories: Upright freezer<
- Country of origin: DE<
- Product name/family: upright freezer width 56 - 60 cm<
- Statistical number: 84184020<
- MFRNR-code: 0001000016<
- Business field: B31<
- Temperature adjustable freezer<
- EAN14: 14242003840105<
- Low frost<
- Manufacturer: BSH FCLG Giengen<
- HEADER4: 71.2 x 55.8 cm<
- Chemical tax Sweden: 100% full tax<
- Power input: 220-240V, 50Hz<
- Noise level: Extremely silent<
- Product Series Key (technical value): BAB<
- Product division: PRF<
- Isolation gas: Pentane<
- Chemical tax included<
- Main product group (MDA, SDA, ACC, OTH): MDA<
- Dimensions of the packed product (HxWxD): 790x620x640 mm<
- CPH-Code: B31203309414BABBB2<
- Product Series Key: Upright freezer, NF<
- HEADER6: GI11VADE0<
- Construction Type Group: Built in<
- No. of external doors: 1<

EU category of the household refrigerating appliance model (2010/30/EC): 8

- Refrigerator Gross capacity Iran: 0.0 Cu Ft
- Freezer Gross capacity Iran: 2.6 Cu Ft
- Main colour of product: Not applicable
- Volume packaging (dm3): 313.472
- Product group: Freezer
- Voltage Maximum: 240 V
- Frequency maximum: 50 Hz
- Frequency Minimum: 50 Hz
- Voltage Minimum: 220 V
- The highest star rating: 0
- HEADER5:
- EPREL registration number: 260161
- Product Compare Family: Freezer
- Type of indication: Not applicable
- Type of display: LED
- Body material: Metal sheets
- List of modifyable functions and/or options: Freezing temperature
- Safety device: Not applicable
- List of warnings: Temperature rise
- Included user manuals: [DA, DE, EN, FI, FR, IT, NL, NO, SV]
- EU data act type: E
- Energy efficiency class: E

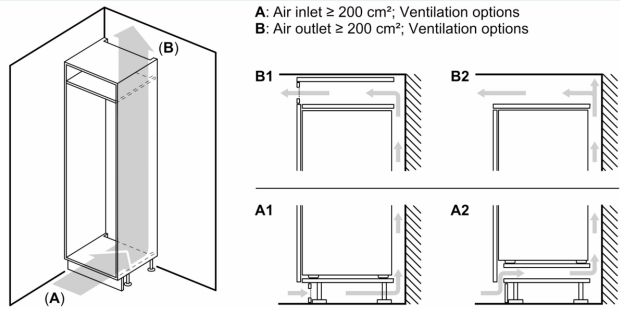
¹ At a Scale of Energy Efficiency Classes from A+++ to D

² Scale of Energy Efficiency Classes from A to G

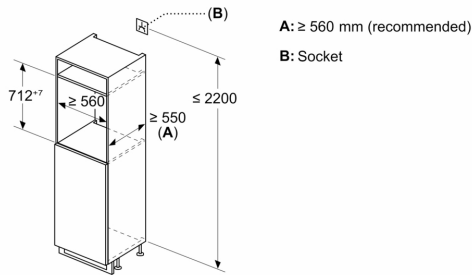
³ Based on the results of the standard 24-hour test. Actual consumption depends on usage/position of the appliance.

iQ500, 71.2 x 55.8 cm, soft close
flat hinge
GI11VADE0

Dimensioned drawings



Measurements in mm

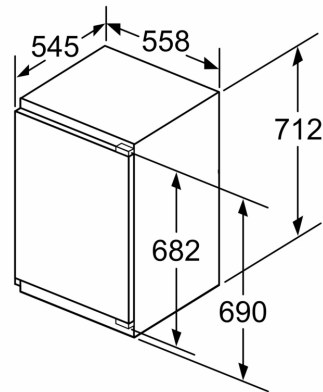


Maximal permissible weight of the unit fronts

Fitted unit fronts that exceed the permissible weight may cause damage and result in functional impairment of the hinges

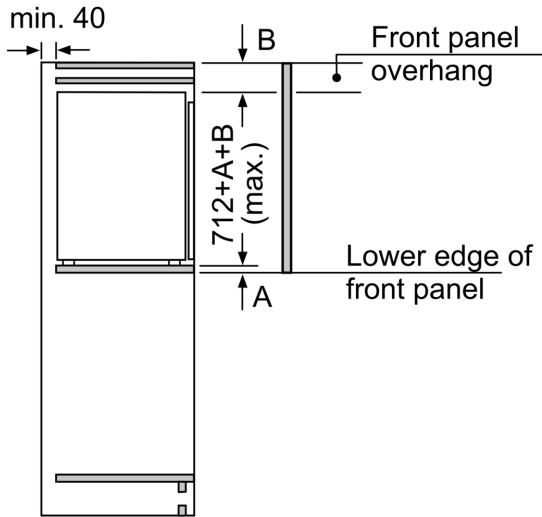
Δ Weight
A: Appliance door height including hinges in mm
B: Undamped hinge, unit front in kg
C: Damped hinge, unit front in kg
D: Additional possible load in kg with heavy load kit

A	B	C	D
1500-1750	22	22	B+5 / C+5
720-1400	19	19	
A1	15	19	
A2	15	19	



measurements in mm

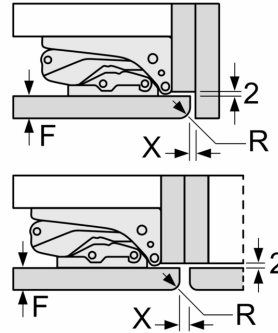
Dimensioned drawings



measurements in mm

measurements in mm

Recommended gap dimensions for flat hinges



F	R	X
16-19	0-3	2.5
20	0-1	3
	2-3	2.5
21	0-1	3
	2-3	2.5
22	0	4
	1	3.5
	2-3	3

The gap dimensions recommended in the table must be adhered to in order to ensure that appliance doors do not collide with anything when they are opened, and to avoid causing damage to kitchen units.