

iQ700, Built-in freezer, 177.2 x 55.8 cm, soft close flat hinge GI81NHNEO



Premium freezer with noFrost system keeps your food in best conditions and thanks Door openAssist with voice control can be integrated into your modern handle-free kitchen.

- ✓ openAssist: opens your fully integrated fridge on command.
- ✓ noFrost – Never defrost your freezer again.
- ✓ SoftClosing Door: door closes automatically and softly when it is open at a 20° angle or less.
- ✓ Door closes automatically and softly when it is open at a 20° angle or less - Soft closing.
- ✓ varioZone – easily arrange drawers and glass shelves to bring flexibility to your freezer space.

Features

Technical Data

Energy Efficiency Class ¹ :	E
Average annual energy consumption in kilowatt hour per year (kWh/a):	235 kWh/annum
Sum of volume of frozen compartments:	212 l
Airborne acoustical noise emissions :	35 dB(A) re 1pW
Airborne acoustical noise emission class:	B
Thermometer freeze section:	Digital
Light:	No
Product category:	Upright freezer
Built-in / Free-standing:	Built-in
Door panel options:	Not possible
Frost free system:	Fridge and freezer
Height of the appliance:	1772 mm
Width of the appliance:	558 mm
Dimensions:	545 mm
Required niche size for installation (HxWxD):	1775x560x550 mm
Dimensions of the packed product (HxWxD):	1840x610x640 mm
Weight:	67.8 kg
Gross weight:	72.0 kg
Connection Rating:	120 W
Fuse protection:	10 A
Frequency:	50 Hz
Length electrical supply cord:	230 cm
Door opening:	Left reversible
Defrost:	Automatic
Warning signal / malfunction:	Both visual and audible
Door lock:	No
Number of drawers/baskets (Stck):	5
Number of freezing flaps (Stck):	2
EAN code:	4242003911396
Brand:	Siemens
Product name / Commercial code:	GI81NHNEO
Product category:	Upright freezer
Included accessories:	1 x ice cube tray, 1 x Heavy-duty hinge support



¹ Scale of Energy Efficiency Classes from A to G

iQ700, Built-in freezer, 177.2 x 55.8 cm, soft close flat hinge GI81NHNEO

Features

- No Frost, Built-in tall freezer
- Fixed hinge

Performance and Consumption

- EU19_EEK_D: E
- Total Volume : 212 l
- Net Fridge Volume : 0 l
- Net Freezer Volume : 212 l
- Freezing capacity 24h : 14 kg
- Annual Energy Consumption: 235 kWh/a
- Climate Class: SN-T
- EU19_Fast freezer facility_D
- Noise Level : 35 dB , EU19_Noise emission class_D: B
- Temperature rise time : EU19_Temperature rise time_D: 9 H

Functions

- Fixed hinge

Design features

- NO_FROST_NEU_BL, never have to defrost ever again
- Electronic control (LED display)
- SuperFreeze function with automatic deactivation
- VitaControl - constant temperature by intelligent sensor technology - Constant temperature control by intelligent sensor technology
- Freezer malfunction warning signal: optical, acoustical

Food freshness system

- 5 transparent freezer drawers, 2 bigbox
- 2 freezer flaps with glass shelves
- Vario Zone - removable safety glass shelves for extra space!

Dimension and installation

- Dimensions: 177.2 cm H x 55.8 cm W x 54.5 cm D
- Niche Dimensions: 177.5 cm H x 56 cm W x 55 cm D

Key features - Fridge section

- Left-mounted, reversible door
- Heavy-duty hinge support, ice cube tray
- Based on the results of the standard 24-hour test. Actual consumption depends on usage/position of the appliance.

Additional features

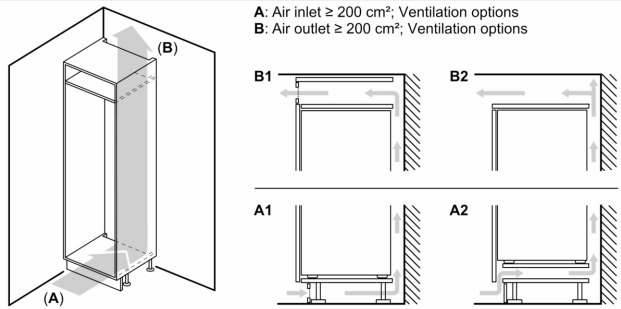
Design features

Dimension and installation

- Door Open Assist

**iQ700, Built-in freezer, 177.2 x 55.8 cm, soft close flat hinge
GI81NHNE0**

Dimensioned drawings

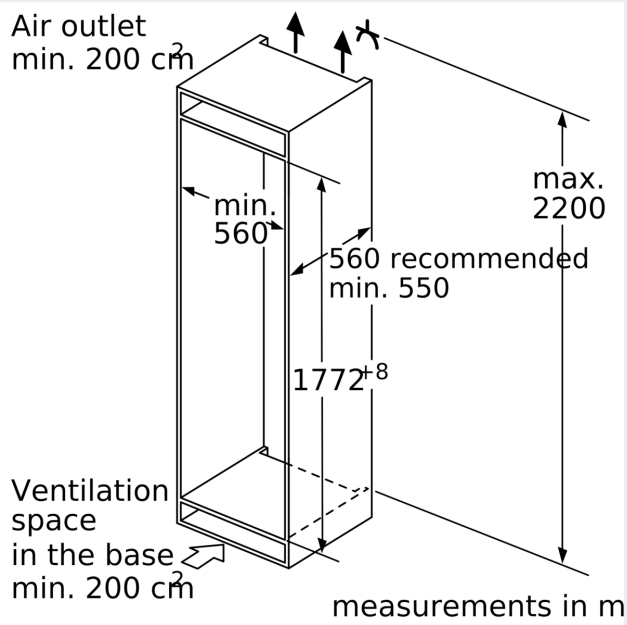
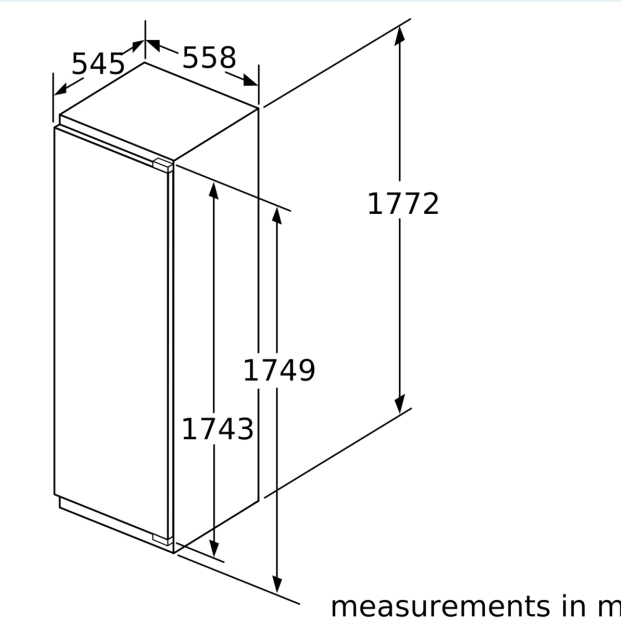


Maximal permissible weight of the unit fronts

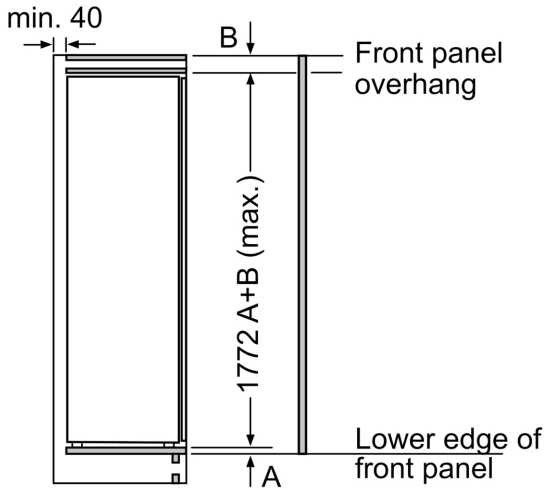
Fitted unit fronts that exceed the permissible weight may cause damage and result in functional impairment of the hinges

Δ: Weight
A: Appliance door height including hinges in mm
B: Undamped hinge, unit front in kg
C: Damped hinge, unit front in kg
D: Additional possible load in kg with heavy load kit

A	B	C	D
1500-1750	22	22	B+5 / C+5
720-1400	19	19	
A1	15	19	
A2	15	19	

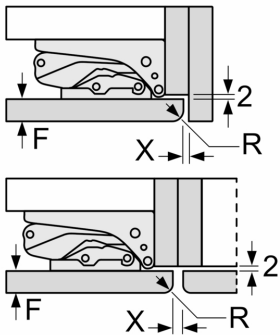


Dimensioned drawings



measurements in mm

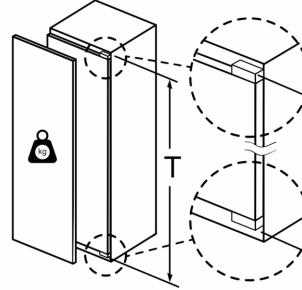
measurements in mm
Recommended gap dimensions for flat hinges



F	R	X
16-19	0-3	2.5
20	0-1	3
	2-3	2.5
21	0-1	3
	2-3	2.5
22	0	4
	1	3.5
	2-3	3

The gap dimensions recommended in the table must be adhered to in order to ensure that appliance doors do not collide with anything when they are opened, and to avoid causing damage to kitchen units.

Maximal permissible weight of the unit fronts



Fitted kitchen unit doors that exceed the permissible weight may cause damage and result in functional impairment of the hinges.

T: Includes height of appliance door Hinges in mm:	undamped hinge, Door in kg:	damped hinge, Door in kg:
1500-1750	22	22