

iQ300, Built-in oven, 60 x 60 cm, Deep black inox HB234ABB3



Included accessories

1 x combination grid, 1 x universal pan

Optional accessories

HZ327000 Baking stone, HZ32WA00 wireless roastingSensor, HZ530000 2 multipurpose pans, slim size, HZ531010 Baking tray, non-stick ceramic coated, HZ532010 Universal pan, non-stick ceramic coated, HZ538000 varioClip rail, HZ617000 Pizza pan, enamelled, HZ629070 Air Fry & Grill tray, HZ631070 Baking tray, enamelled, HZ632070 Multipurpose pan, enamelled, HZ633001 Lid for professional pan, enamelled, HZ633070 Professional pan with grid, enamelled, HZ633073 Professional pan, enamelled, HZ634000 Baking and roasting grid (standard), HZ636000 Glass pan, HZ638000 Full ext rails, level independent, HZ65MA00 Assembly kit for vertical installation, HZ664000 Baking and roasting grid (steam), HZ66X650 Cover Strip, HZ915003 Glass roasting dish, 5,4 L, HZG0AS00 Connecting cable 3m

Excellent results in your kitchen: 3D hotAir for even heat distribution on up to three levels.

- ✓ 3D hotAir – Even heat distribution on up to three levels for excellent results.
- ✓ Cut down on oven cleaning – ecoClean.
- ✓ For fast cleaning dirt is softened beforehand by vaporizing soapy water. It can then be removed more easily – humidClean.
- ✓ Reach the required baking temperature sooner - fastPreheat.
- ✓ Safety meets comfort in the oven

Features

Technical Data

Gross weight: 34.4 kg
 Design: Built-in
 Integrated Cleaning system: ecoClean Plus program, Hydrolytic
 Required niche size for installation (HxWxD): ..585-595 x 560-568 x 550 mm
 Dimensions: 595x594x548 mm
 Dimensions of the packed product (HxWxD):675x660x690 mm
 Control Panel Material:Glass
 Door Material:Glass
 Net weight: 32.9 kg
 Usable volume of cavity: 71 l
 Heating modes:: Full width grill, Hotair gentle, Hot Air, Conventional heat, Pizza setting, Bottom heat, Hot air grilling
 Length electrical supply cord: 120 cm
 Pull-out system: Accessory
 Included accessories: 1 x combination grid, 1 x universal pan
 Broil Element Wattages cavity 1:2700 W
 Convection Element Wattages cavity 1: 2200 W
 Energy efficiency¹:A+: efficient
 Energy consumption per cycle conventional (2010/30/EC):0.94 kWh/cycle
 Energy consumption per cycle forced air convection (2010/30/EC): 0.69 kWh/cycle
 Energy efficiency index (2010/30/EC): 81.2 %
 Connection rating: 3600 W
 Fuse protection:16 A
 Voltage:220-240 V
 Frequency:50; 60 Hz
 Plug type: Gardy plug w/ earthing
 Source of energy: Electric
 Required cutout/niche size for installation (in): x
 Dimensions of the packed product: 26.57 x 25.98 x 27.16
 Net weight: 73.000 lbs
 Gross weight: 76.000 lbs



¹ At a Scale of Energy Efficiency Classes from A+++ to D

iQ300, Built-in oven, 60 x 60 cm, Deep black inox HB234ABB3

Features

Type of oven / heating system:

- Oven with 7 heating methods: 3D hotAir, Conventional heat, hotAir grilling, Full width grill, Pizza setting, Bottom heat, hotAir gentle
- Temperature range 50 °C - 275 °C
- Cavity volume: 71 l

Hook-in racks / rails

- Number of shelf levels: 5
- Telescopic shelf rails as optional accessory

Design:

- Rotary Control, Retractable controls
- Cavity inner surface: enamel anthracite

Cleaning:

- ecoClean: coating of back panel
- humidClean (manually)
- Full glass inner door

Comfort:

- LED Display (red)
- electronic clock
- automatic start
- Optical temperature control
- Bar handle
- fastPreheat
- Halogen interior lighting
- Integral cooling fan

Accessory:

- 1 x combination grid, 1 x universal pan

Environment and Safety:

- Low door temperature
- Triple glazed door with heat reflective glass glazed CoolTouch door
- Child lock

Technical Information

- Length of mains cable: 120 cm
- Nominal voltage: 220 - 240 V
- Total connected load electric: 3.6 KW
- Energy efficiency rating (acc. EU Nr. 65/2014): A+(at a range of energy efficiency classes from A+++ to D)
- Energy consumption per cycle in conventional mode: 0.94 kWh
- Energy consumption per cycle in fan-forced convection mode: 0.69 kWh
- Number of cavities: 1
- Heat source: electrical
- Cavity volume: 71 l

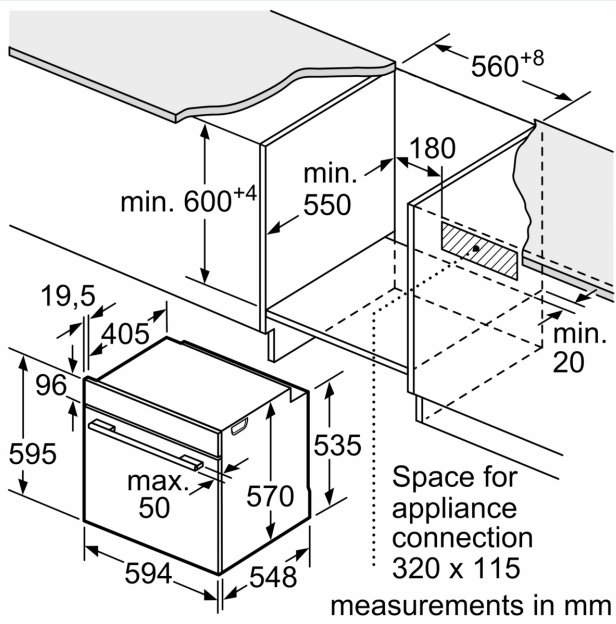
Dimensions:

- Appliance dimension (HxWxD): 595 mm x 594 mm x 548 mm
- Niche dimension (HxWxD): 585 mm - 595 mm x 560 mm - 568 mm x 550 mm

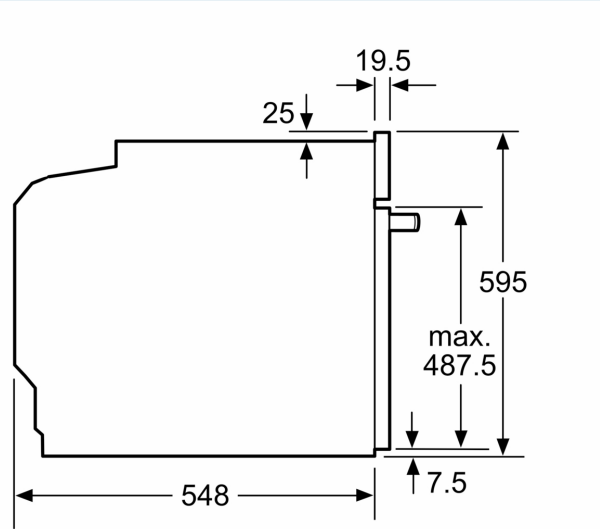
- "Please reference the built-in dimensions provided in the installation drawing"

**iQ300, Built-in oven, 60 x 60 cm,
Deep black inox
HB234ABB3**

Dimensioned drawings

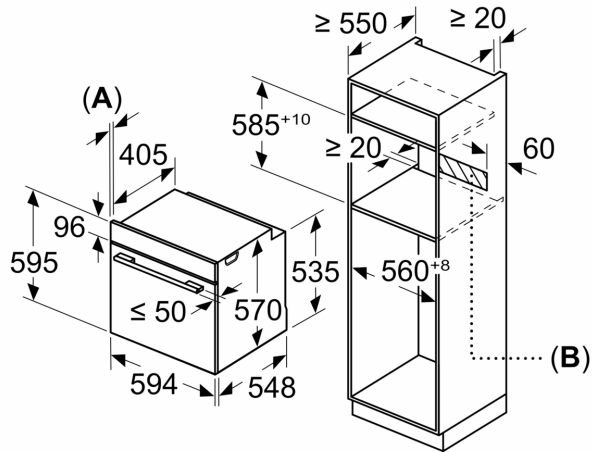


measurements in mm



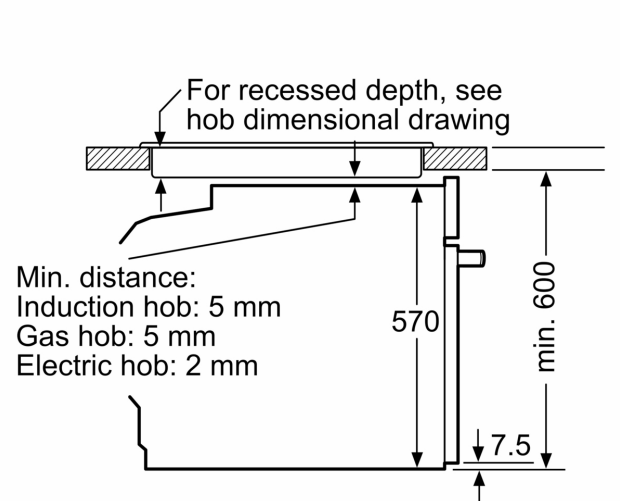
measurements in mm

Measurements in mm



- A:** 19.5 mm
- B:** Space for appliance connection 320 x 115 mm

Installation with a hob.



measurements in mm