

iQ700, Built-in oven, 60 x 60 cm, Black HB934GAB1



The intelligent oven with Cooking Assistant for intuitive programme setting.

- ✓ TFT-Touchdisplay – Touch navigation for intuitive operation.
- ✓ Cooking Assistant: Intuitively set the right programme.
- ✓ Home Connect with Remote Control – Unlock the full potential of your smart oven.
- ✓ cookControl Plus – Pre-installed settings for excellent results.
- ✓ Air fry – the healthier way to snack.

Features

Technical Data

Gross weight:	37.9 kg
Design:	Built-in
Integrated Cleaning system:	ecoClean Plus program, Hydrolytic
Required niche size for installation (HxWxD):	585-595 x 560-568 x 550 mm
Dimensions:	595x594x548 mm
Dimensions of the packed product (HxWxD):	670x670x680 mm
Control Panel Material:	Glass
Door Material:	Glass
Net weight:	35.3 kg
Usable volume of cavity:	71 l
Heating modes:	Air fry, Full width grill, Hotair gentle, Hot Air, Half width grill, Conventional heat, Conventional heat gentle, Pizza setting, low temperature cooking, coolStart, Bottom heat, Hot air grilling, pre-heating, warming
Length electrical supply cord:	120 cm
Pull-out system:	varioClip rails - easy mounting of rails on any level
Included accessories:	1 x enamel baking tray, 1 x combination grid, 1 x universal pan, 1 x air fry & grill tray
Broil Element Wattages cavity 1:	2800 W
Convection Element Wattages cavity 1:	2200 W
Energy efficiency ¹ :	A+: efficient
Energy consumption per cycle conventional (2010/30/EC):	0.87 kWh/cycle
Energy consumption per cycle forced air convection (2010/30/EC):	0.69 kWh/cycle
Energy efficiency index (2010/30/EC):	81.2 %
Connection rating:	3600 W
Fuse protection:	16 A
Voltage:	220-240 V
Frequency:	50; 60 Hz
Plug type:	Gardy plug w/ earthing
Source of energy:	Electric
Required cutout/niche size for installation (in):	x
Dimensions of the packed product:	26.37 x 26.37 x 26.77
Net weight:	78.000 lbs
Gross weight:	84.000 lbs



Included accessories

1 x enamel baking tray, 1 x combination grid, 1 x universal pan, 1 x air fry & grill tray

Optional accessories

HZ638000 Full ext rails, level independent, HZ65MA00 Assembly kit for vertical installation, HZ664000 Baking and roasting grid (steam), HZ66X650 Cover Strip, HZ915003 Glass roasting dish, 5,4 L, HZG0AS00 Connecting cable 3m, HZ327000 Baking stone, HZ32WA00 wireless roastingSensor, HZ531010 Baking tray, non-stick ceramic coated, HZ532010 Universal pan, non-stick ceramic coated, HZ538000 varioClip rail, HZ617000 Pizza pan, enamelled, HZ629070 Air Fry & Grill tray, HZ631070 Baking tray, enamelled, HZ632070 Multipurpose pan, enamelled, HZ633001 Lid for professional pan, enamelled, HZ633070 Professional pan with grid, enamelled, HZ633073 Professional pan, enamelled, HZ634000 Baking and roasting grid (standard)

¹ At a Scale of Energy Efficiency Classes from A+++ to D

iQ700, Built-in oven, 60 x 60 cm, Black HB934GAB1

Features

Type of oven / heating system:

- Oven with 14 heating methods: 3D hotAir, Conventional heat, hotAir grilling, Full width grill, Half width grill, Pizza setting, coolStart, Bottom heat, Gentle heating, Plate warming setting, Keep warm, hotAir gentle, Conventional heat gentle, Air fry
- Heating methods only via Home Connect App: let rest, preheating
- Temperature range 30 °C - 300 °C
- Cavity volume: 71 l
- Cavity: smooth

Hook-in racks / rails

- Number of shelf levels: 5
- varioClip rails Plus, full extension, with Stop function

Design:

- blackSteel application
- Touchcontrol
- studioLine Glass handle
- Cavity inner surface: enamel anthracite

Cleaning:

- ecoClean: coating of back panel
- humidClean Plus
- Full glass inner door

Comfort:

- Cooking Assistant
- TFT-Touchdisplay
- electronic clock
- Temperature proposal
- Actual temperature display
- Optical temperature control
- Drop down door
- softMove for gentle opening and closing of the oven door
- cookControl Plus
- fastPreheat
- coolStart
- Halogen interior lighting, Independent oven interior light button
- Integral cooling fan
- Home Connect ready on Wi-Fi

Accessory:

- 1 x enamel baking tray, 1 x combination grid, 1 x universal pan, 1 x air fry & grill tray

Environment and Safety:

- Low door temperature
- Triple glazed door with heat reflective glass glazed CoolTouch door
- Child lock
- Residual heat indicator
- Start-/Stop button
- Door contact switch

Technical Information

- Length of mains cable: 120 cm
- Nominal voltage: 220 - 240 V
- Total connected load electric: 3.6 KW
- Energy efficiency rating (acc. EU Nr. 65/2014): A+(at a range of energy efficiency classes from A+++ to D)
- Energy consumption per cycle in conventional mode: 0.87 kWh
- Energy consumption per cycle in fan-forced convection mode: 0.69 kWh
- Number of cavities: 1
- Heat source: electrical
- Cavity volume: 71 l

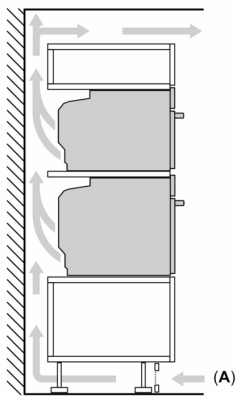
Dimensions:

- Appliance dimension (HxWxD): 595 mm x 594 mm x 548 mm
- Niche dimension (HxWxD): 585 mm - 595 mm x 560 mm - 568 mm x 550 mm
- "Please reference the built-in dimensions provided in the installation drawing"

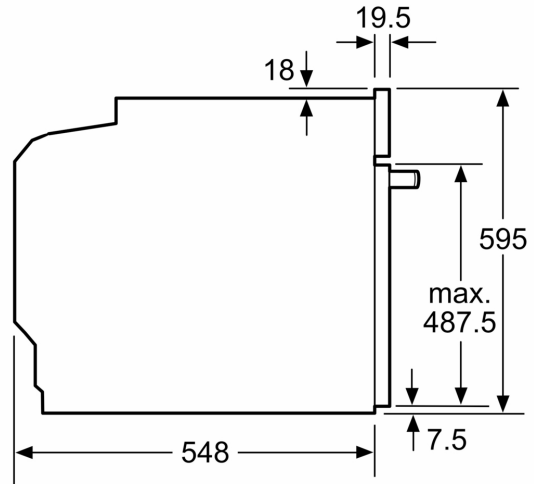
iQ700, Built-in oven, 60 x 60 cm,
Black
HB934GAB1

Dimensioned drawings

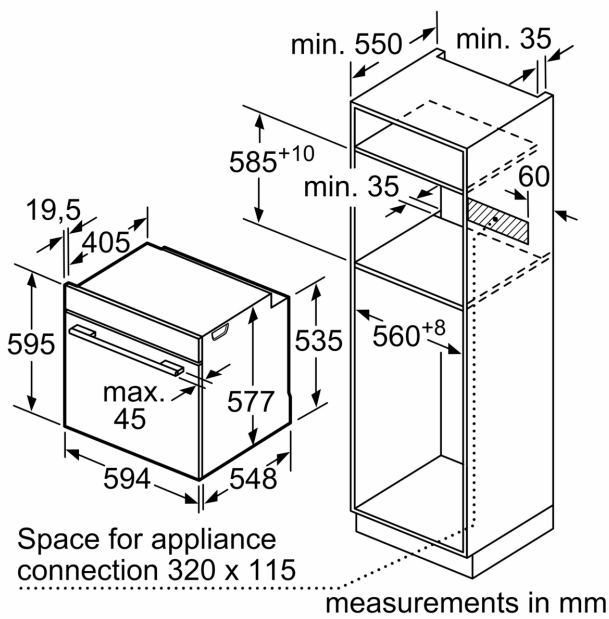
Installing two appliances on top of each other
Air exchange



A: Air inlet $\geq 200 \text{ cm}^2$



measurements in mm



measurements in mm

If the appliance will be installed underneath a hob, the following worktop thicknesses (including substructure if necessary) must be taken into account.

Hob type	min. worktop thickness	
	fitted	flush
Induction hob	37 mm	38 mm
Full surface Induction hob	47 mm	48 mm
Gas hob	30 mm	38 mm
Electric hob	27 mm	30 mm

Dimensioned drawings

