

## iQ700, Built-in oven with steam function and microwave function, 60 x 60 cm, Black HN978GMB1



The intelligent varioSpeed microwave oven with Cooking Assistant for intuitive programme setting and activeClean for less effort in oven cleaning.

- ✓ TFT-Touchdisplay Pro – Large colour touch display for comfortable operation.
- ✓ cookControl Pro – Excellent results, whatever the recipe or circumstances.
- ✓ Cooking Assistant: Intuitively set the right programme.
- ✓ activeClean®: The automatic, self-cleaning oven system for less efforts in oven cleaning.
- ✓ varioSpeed – Prepare excellent dishes up to 50% faster.

### Features

#### Technical Data

Type of micro-wave oven:	MW-Combi
Type of control:	Electronic
Dimensions:	595x594x548 mm
Cavity dimensions:	357 x 480 x 392 mm
Length electrical supply cord:	120 cm
Net weight:	47.0 kg
Gross weight:	50.3 kg
Maximum micro-wave power <sup>1</sup> :	800 W
Number of Power Levels:	5
Turntable:	No
Cavity material:	Enamelled steel
Clock:	Yes
Included accessories:	1 x enamel baking tray, 1 x combination grid, 1 x universal pan
Height of the appliance:	595 mm
Width of the appliance:	594 mm
Depth:	548 mm
Maximum micro-wave power <sup>1</sup> :	800 W
Connection rating:	3600 W
Fuse protection:	16 A
Voltage:	220-240 V
Frequency:	50; 60 Hz
Plug type:	Gardy plug w/ earthing
Required cutout/niche size for installation (in):	x
Dimensions of the packed product:	26.37 x 26.37 x 26.77
Net weight:	104.000 lbs
Gross weight:	111.000 lbs



#### Included accessories

1 x enamel baking tray, 1 x combination grid, 1 x universal pan

#### Optional accessories

AOVG9MF00S Mech. Child safety lock (Gap size: 4mm), HZ327000 Baking stone, HZ531010 Baking tray, non-stick ceramic coated, HZ532010 Universal pan, non-stick ceramic coated, HZ617000 Pizza pan, enamelled, HZ629070 Air Fry & Grill tray, HZ631070 Baking tray, enamelled, HZ632070 Multipurpose pan, enamelled, HZ633001 Lid for professional pan, enamelled, HZ633070 Professional pan with grid, enamelled, HZ633073 Professional pan, enamelled, HZ634000 Baking and roasting grid (standard), HZ635000 AirFry & Grill Set, HZ636000 Glass pan, HZ65MA00 Assembly kit for vertical installation, HZ664000 Baking and roasting grid (steam), HZ66X650 Cover Strip, HZ915003 Glass roasting dish, 5,4 L, HZG0AS00 Connecting cable 3m

<sup>1</sup> Intelligent inverter technology: maximum output power will be regulated to 600 W when used in longer operation

## iQ700, Built-in oven with steam function and microwave function, 60 x 60 cm, Black HN978GMB1

### Features

#### Type of oven / heating system:

- Oven with microwave with 28 heating methods: 4D hotAir, Conventional heat, hotAir grilling, Full width grill, Half width grill, Pizza setting, coolStart, Bottom heat, Intensive heat, Gentle heating, Plate warming setting, Desiccation, Keep warm, hotAir gentle, Conventional heat gentle, Air fry, Regeneration with steam, Fermentation with steam, microwave, hotAir grilling + steam, warming + steam, 4D hotAir + steam, Top/bottom heat + steam, 4D hotair + microwave, Top/bottom heat + microwave, grill + microwave, half width grill + microwave, hotair grilling + microwave
- Oven with microwave with 28 heating methods: Regeneration with steam, Fermentation with steam
- Heating methods only via Home Connect App: let rest, preheating
- Max. Power: 800 W; 5 Microwave power settings (90 W, 180 W, 360 W, 600 W, boost) with Inverter (MW)
- Intelligent inverter technology: maximum output power will be regulated to 600 W when used in longer operation
- Temperature range 30 °C - 300 °C
- Cavity volume: 67 l
- Cavity: smooth

#### Hook-in racks / rails

- Number of shelf levels: 5 PC
- 1 level telescopic shelf, pyrolytic proof, standard extension

#### Design:

- blackSteel application
- Touchcontrol
- studioLine Glass handle
- Cavity inner surface: enamel anthracite

#### Cleaning:

- activeClean®
- humidClean Plus

#### Comfort:

- Cooking Assistant
- TFT-Touchdisplay Pro
- electronic clock
- Temperature proposal
- Actual temperature display
- Optical temperature control
- Drop down door
- softMove for gentle opening and closing of the oven door
- cookControl Pro
- roasting sensor
- roastingSensor Plus
- fastPreheat
- coolStart
- steamBoost - add for 3min intensive steam with a touch of a button.
- There are different steam intensities selectable: steam level high,

steam level middle, steam level low

- LED illumination, Independent oven interior light button
- Water tank empty indicator
- Location of the steam generator is outside of the cavity
- Integral cooling fan
- Home Connect ready on Wi-Fi
- 4D hotAir: even heat distribution on any level, also simultaneously

#### Accessory:

- 1 x enamel baking tray, 1 x combination grid, 1 x universal pan

#### Environment and Safety:

- Very low door temperature
- Quadruple glazed door with heat reflective glass glazed CoolTouch door
- Automatic door lock during pyrolysis
- Child lock
- Residual heat indicator
- Start-/Stop button
- Door contact switch

#### Technical Information

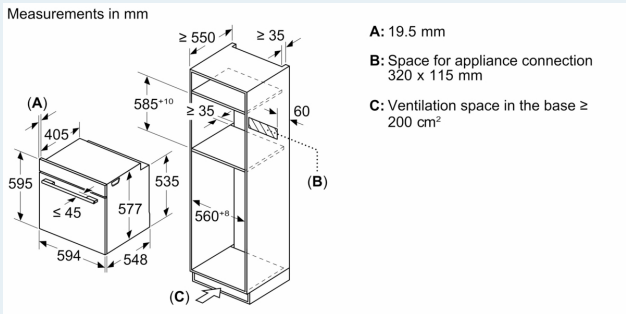
- Length of mains cable: 120 cm
- Nominal voltage: 220 - 240 V
- Total connected load electric: 3.6 KW

#### Dimensions:

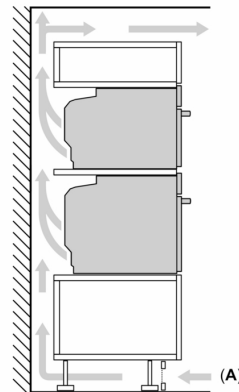
- Appliance dimension (HxWxD): 595 mm x 594 mm x 548 mm
- Niche dimension (HxWxD): 585 mm - 595 mm x 560 mm - 568 mm x 550 mm
- "Please reference the built-in dimensions provided in the installation drawing"

**iQ700, Built-in oven with steam function and microwave function, 60 x 60 cm, Black HN978GMB1**

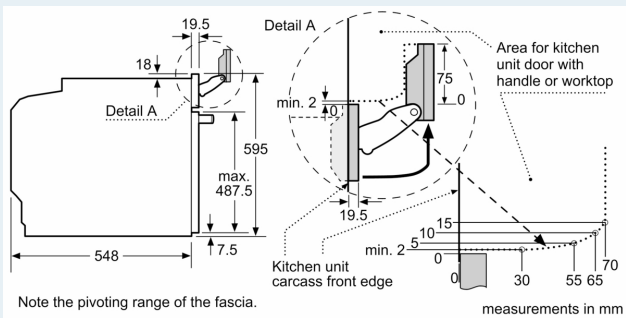
Dimensioned drawings



Installing two appliances on top of each other  
 Air exchange



A: Air inlet  $\geq 200 \text{ cm}^2$



If the appliance will be installed underneath a hob, the following worktop thicknesses (including substructure if necessary) must be taken into account.

Hob type	min. worktop thickness	
	fitted	flush
Induction hob	37 mm	38 mm
Full surface Induction hob	47 mm	48 mm
Gas hob	30 mm	38 mm
Electric hob	27 mm	30 mm

Dimensioned drawings

