

iQ700, Built-in oven with steam function and microwave function, 60 x 60 cm, Matt Black HN978GQM1



The intelligent varioSpeed microwave oven with Individual Browning and camera, food recognition and activeClean for less effort in oven cleaning.

- ✓ Matt Edition – the understated elegance of black matte appliances.
- ✓ Individual Browning with camera – for consistently perfect browning results.
- ✓ TFT-Touchdisplay Pro – Large colour touch display for comfortable operation.
- ✓ cookControl Pro – Excellent results, whatever the recipe or circumstances.
- ✓ Food recognition: Let your oven suggest the right programme for many dishes.

Features

Technical Data

Type of micro-wave oven : MW-Combi
 Type of control : Electronic
 Dimensions : 595x594x548 mm
 Cavity dimensions : 357.0 x 480 x 392.0 mm
 Length electrical supply cord : 120 cm
 Net weight : 48.4 kg
 Gross weight : 51.8 kg
 EAN code : 4242003982419
 Maximum micro-wave power : 800 W
 Connection Rating : 3600 W
 Fuse protection : 16 A
 Voltage : 220-240 V
 Frequency : 50; 60 Hz
 Plug type : Gurdy plug w/ earthing
 Cavity dimensions : 357.0 x 480 x 392.0 mm
 Included accessories : 1 x enamel baking tray, 1 x combination grid, 1 x universal pan, 1 x air fry & grill tray



Included accessories

- 1 x enamel baking tray
- 1 x combination grid
- 1 x universal pan
- 1 x air fry & grill tray

Optional accessories

HZ915003 : Glass roasting dish, 5,4 L , HZ636000 : Glass pan , HZ635000 : AirFry & Grill Set , HZ634000 : Baking and roasting grid (standard) , HZ633070 : Professional pan with grid, enamelled , HZ633001 : Lid for professional pan, enamelled , HZ632070 : Multipurpose pan, enamelled , HZ631070 : Baking tray, enamelled , HZ629070 : Air Fry & Grill tray , HZ617000 : Pizza pan, enamelled , HZ532010 : Universal pan, non-stick ceramic coated , HZ531010 : Baking tray, non-stick ceramic coated , HZ327000 : Baking stone

iQ700, Built-in oven with steam function and microwave function, 60 x 60 cm, Matt Black HN978GQM1

Features

Type of oven / heating system:

- Oven with microwave with 28 heating methods: 4D hotAir, Conventional heat, hotAir grilling, Full width grill, Half width grill, Pizza setting, coolStart, Bottom heat, Intensive heat, Gentle heating, Plate warming setting, Desiccation, Keep warm, hotAir gentle, Conventional heat gentle, Air fry, Regeneration with steam, Fermentation with steam, microwave, hotAir grilling + steam, warming + steam, 4D hotAir + steam, Top/bottom heat + steam, 4D hotair + microwave, Top/bottom heat + microwave, grill + microwave, half width grill + microwave, hotair grilling + microwave
- Oven with microwave with 28 heating methods: Regeneration with steam, Fermentation with steam
- Heating methods only via Home Connect App: let rest, preheating
- Max. Power: 800 W; 5 Microwave power settings (90 W, 180 W, 360 W, 600 W, boost) with Inverter (MW)
- Intelligent inverter technology: maximum output power will be regulated to 600 W when used in longer operation
- Temperature range 30 °C - 300 °C
- Cavity volume: 67 l
- Cavity: smooth

Hook-in racks / rails

- Number of shelf levels: 5
- 1 level telescopic shelf, pyrolytic proof, standard extension

Design:

- Matt Surface of the panel and door
- Touchcontrol
- Cavity inner surface: enamel anthracite

Cleaning:

- activeClean®
- humidClean Plus

Comfort:

- TFT-Touchdisplay Pro
- electronic clock
- Temperature proposal
- Actual temperature display
- Optical temperature control
-
- Drop down door
- softMove for gentle opening and closing of the oven door
- cookControl Pro
- roasting sensor
- baking Sensor
-
- browning detection by camera
- food recognition
- roastingSensor Plus
- bakingSensor Plus
- fastPreheat
- coolStart
- steamBoost - add for 3min intensive steam with a touch of a button.
- There are different steam intensities selectable: steam level high, steam level middle, steam level low
- LED illumination, Independent oven interior light button

- dualLED
- Water tank empty indicator
- Location of the steam generator is outside of the cavity
- Integral cooling fan
- Home Connect ready on Wi-Fi
- 4D hotAir: even heat distribution on any level, also simultaneously

Accessory:

- 1 x air fry & grill tray, 1 x enamel baking tray, 1 x combination grid, 1 x universal pan

Environment and Safety:

- Very low door temperature
- Quadruple glazed door with heat reflective glass glazed CoolTouch door
- Automatic door lock during pyrolysis
- Child lock
- Residual heat indicator
- Start-/Stop button
- Door contact switch
-

Technical Information

- Length of mains cable: 120 cm
- Nominal voltage: 220 - 240 V
- Total connected load electric: 3.6 KW

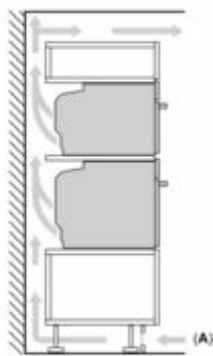
Dimensions:

- Appliance dimension (HxWxD): 595 mm x 594 mm x 548 mm
- Niche dimension (HxWxD): 585 mm - 595 mm x 560 mm - 568 mm x 550 mm
- "Please reference the built-in dimensions provided in the installation drawing"

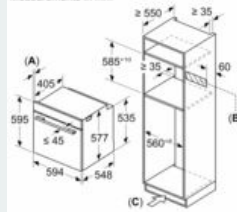
**iQ700, Built-in oven with steam function and microwave function, 60 x 60 cm, Matt Black
HN978GQM1**

Dimensioned drawings

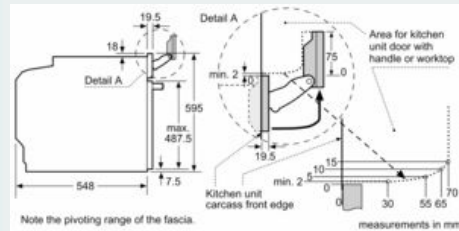
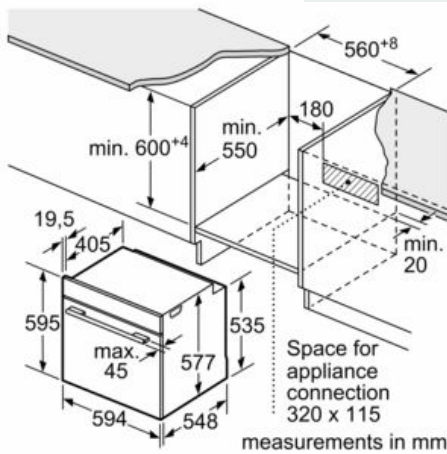
Installing two appliances on top of each other
Air exchange



Measurements in mm



- A: 19.5 mm
- B: Space for appliance connection 320 x 115 mm
- C: Ventilation space in the base $\geq 200 \text{ cm}^2$



Measurements in mm
Worktop thickness when installing underneath a hob
(incl. substructure, if required)

Hob type	Worktop thickness (mm)	
	raised	flush
Induction hob	≥ 37	≥ 38
Full surface induction hob	≥ 47	≥ 48
Gas hob	≥ 30	≥ 38
Electric hob	≥ 27	≥ 30