

iQ700, Built-in oven with steam function, 60 x 60 cm, Black HS958GCB1



The intelligent fullSteam Plus oven with Cooking Assistant for intuitive programme setting and roastingSensor Plus for excellent results.

- ✓ TFT-Touchdisplay Pro – Large colour touch display for comfortable operation.
- ✓ cookControl Pro – Excellent results, whatever the recipe or circumstances.
- ✓ Cooking Assistant: Intuitively set the right programme.
- ✓ fullSteam Plus with sous-vide – For healthy and great-tasting meals.
- ✓ pulseSteam - Crispier and juicier with added water vapour.

Features

Technical Data

Gross weight: 95.000 lbs
 Design: Built-in
 Door opening: Drop down
 Required niche size for installation (HxWxD): ..585-595 x 560-568 x 550 mm
 Dimensions: 595x594x548 mm
 Dimensions of the packed product (HxWxD):670x660x690 mm
 Control Panel Material:Glass
 Door Material:Glass
 Net weight: 40.5 kg
 Length electrical supply cord: 120 cm
 Heating modes:: Defrost, Steam 100%, fermentation, Regeneration, Sous-vide, 4D hot air, Air fry, Full width grill, Hotair gentle, Intensive heat, Half width grill, Conventional heat, Conventional heat gentle, Pizza setting, low temperature cooking, coolStart, Bottom heat, Hot air grilling, pre-heating, warming
 Time-setting Options:Start and Stop
 Fuse protection:16 A
 Voltage:220-240 V
 Frequency:50; 60 Hz
 Plug type: Gardy plug w/ earthing
 Source of energy: Electric
 Fuse protection:16 A
 Voltage:220-240 V
 Frequency:50; 60 Hz
 Plug type: Gardy plug w/ earthing
 Dimensions of the packed product: 26.37 x 25.98 x 27.16
 Net weight: 89.000 lbs
 Included accessories: 1 x enamel baking tray, 1 x grid, 1 x universal pan, 1 x sponge, punched, 1 x steam container, unpunched, size M

Included accessories

1 x enamel baking tray, 1 x grid, 1 x universal pan, size XL, 1 x sponge, punched, 1 x steam container, unpunched, size M

Optional accessories

AOVG9MF00S Mech. Child safety lock (Gap size: 4mm), HZ32WA00 wireless roastingSensor, HZ530000 2 multipurpose pans, slim size, HZ531010 Baking tray, non-stick ceramic coated, HZ532010 Universal pan, non-stick ceramic coated, HZ617000 Pizza pan, enamelled, HZ629070 Air Fry & Grill tray, HZ631070 Baking tray, enamelled, HZ632070 Multipurpose pan, enamelled, HZ633001 Lid for professional pan, enamelled, HZ633070 Professional pan with grid, enamelled, HZ633073 Professional pan, enamelled, HZ635000 AirFry & Grill Set, HZ638D00 Full ext rails, level independent, steam, HZ65MA00 Assembly kit for vertical installation, HZ664000 Baking and roasting grid (steam), HZ66D52 2 steamcontainer(punched/unpunched)sizeM, HZ66X650 Cover Strip, HZ915003 Glass roasting dish, 5,4 L, HZG0AS00 Connecting cable 3m



iQ700, Built-in oven with steam function, 60 x 60 cm, Black HS958GCB1

Features

Type of oven / heating system:

- Combi-steam oven with 24 heating methods: 4D hotAir, Conventional heat, hotAir grilling, Full width grill, Half width grill, Pizza setting, coolStart, Bottom heat, Intensive heat, Gentle heating, Plate warming setting, Keep warm, hotAir gentle, Conventional heat gentle, Air fry, Steam, Regeneration with steam, Fermentation with steam, Defrost with steam, sous-vide cooking, hotAir grilling + steam, warming + steam, 4D hotAir + steam, Top/bottom heat + steam
- Combi-steam oven with 24 heating methods: Steam, Regeneration with steam, Fermentation with steam, Defrost with steam, sous-vide cooking
- Heating methods only via Home Connect App: let rest, preheating
- Temperature range 30 °C - 250 °C
- fullSteam Plus
- Cavity volume: 71 l
- Cavity: smooth

Hook-in racks / rails

- Number of shelf levels: 5 PC
- varioClip rails Plus, full extension, with Stop function

Design:

- blackSteel application
- Touchcontrol
- studioLine Glass handle
- Cavity inner surface: enamel anthracite

Cleaning:

- ecoClean Plus: coating of ceiling, back panel, side liners
- humidClean Plus, ecoClean Plus program
- Full glass inner door

Comfort:

- Cooking Assistant
- TFT-Touchdisplay Pro
- electronic clock
- Temperature proposal
- Actual temperature display
- Optical temperature control
- Drop down door
- softMove for gentle opening and closing of the oven door
- cookControl Pro
- roasting sensor
- roastingSensor Plus
- fastPreheat
- coolStart
- steamBoost - add for 3min intensive steam with a touch of a button.
- There are different steam intensities selectable: steam level high, steam level middle, steam level low
- LED illumination, Independent oven interior light button
- Water tank empty indicator

- Location of the steam generator is outside of the cavity
- Integral cooling fan
- Home Connect ready on Wi-Fi
- 4D hotAir: even heat distribution on any level, also simultaneously

Accessory:

- 1 x enamel baking tray, 1 x steam container, punched, size M, 1 x steam container, punched, size XL, 1 x steam container, unpunched, size M, 1 x grid, 1 x sponge, 1 x universal pan

Environment and Safety:

- Low door temperature
- Triple glazed door with heat reflective glass glazed CoolTouch door
- Child lock
- Residual heat indicator
- Start-/Stop button
- Door contact switch

Technical Information

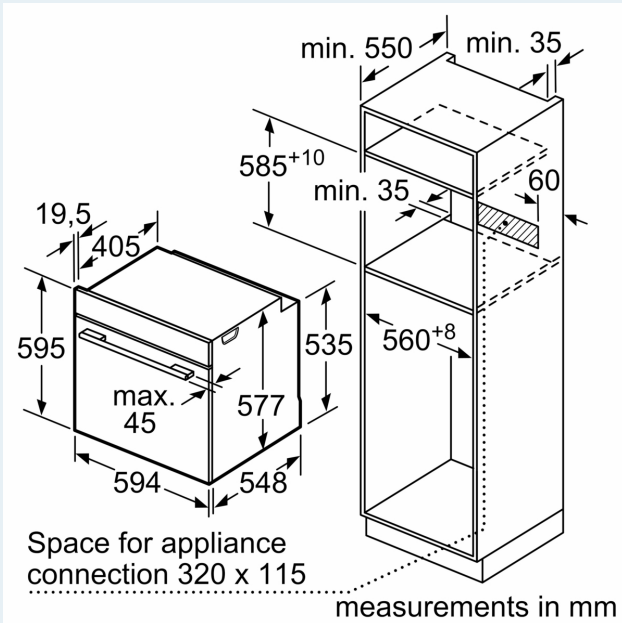
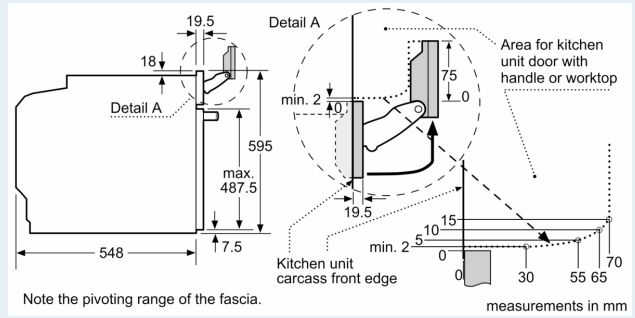
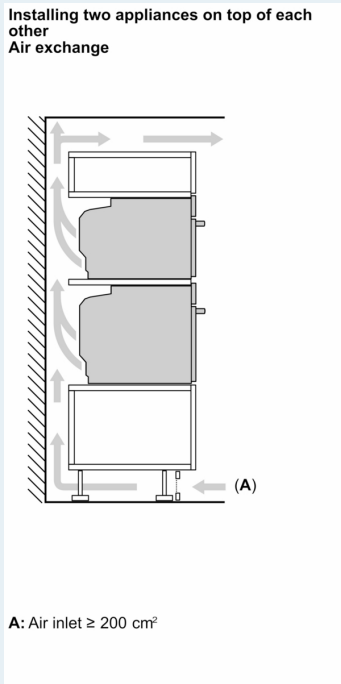
- Length of mains cable: 120 cm
- Nominal voltage: 220 - 240 V
- Total connected load electric: 3.6 KW
- Energy efficiency rating (acc. EU Nr. 65/2014): A+(at a range of energy efficiency classes from A+++ to D)
- Energy consumption per cycle in conventional mode: 0.87 kWh
- Energy consumption per cycle in fan-forced convection mode: 0.69 kWh
- Number of cavities: 1
- Heat source: electrical
- Cavity volume: 71 l

Dimensions:

- Appliance dimension (HxWxD): 595 mm x 594 mm x 548 mm
- Niche dimension (HxWxD): 585 mm - 595 mm x 560 mm - 568 mm x 550 mm
- "Please reference the built-in dimensions provided in the installation drawing"

iQ700, Built-in oven with steam function, 60 x 60 cm, Black HS958GCB1

Dimensioned drawings



If the appliance will be installed underneath a hob, the following worktop thicknesses (including substructure if necessary) must be taken into account.

Hob type	min. worktop thickness	
	fitted	flush
Induction hob	37 mm	38 mm
Full surface Induction hob	47 mm	48 mm
Gas hob	30 mm	38 mm
Electric hob	27 mm	30 mm

Dimensioned drawings

